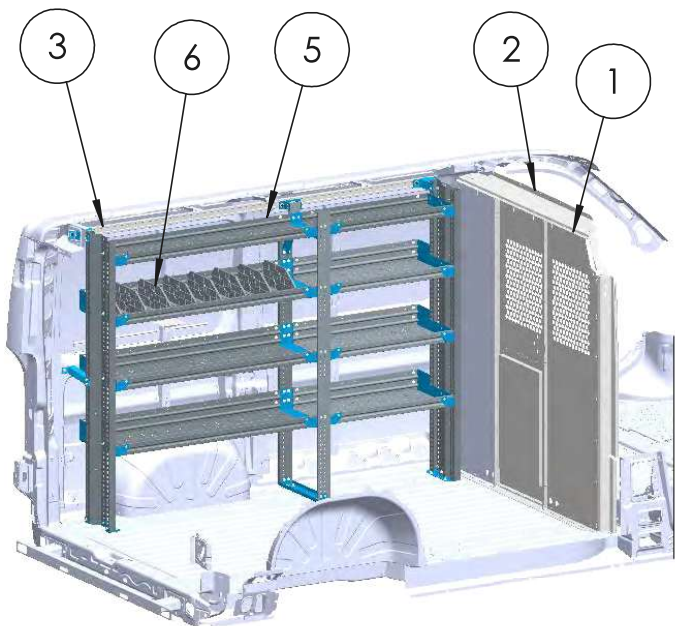
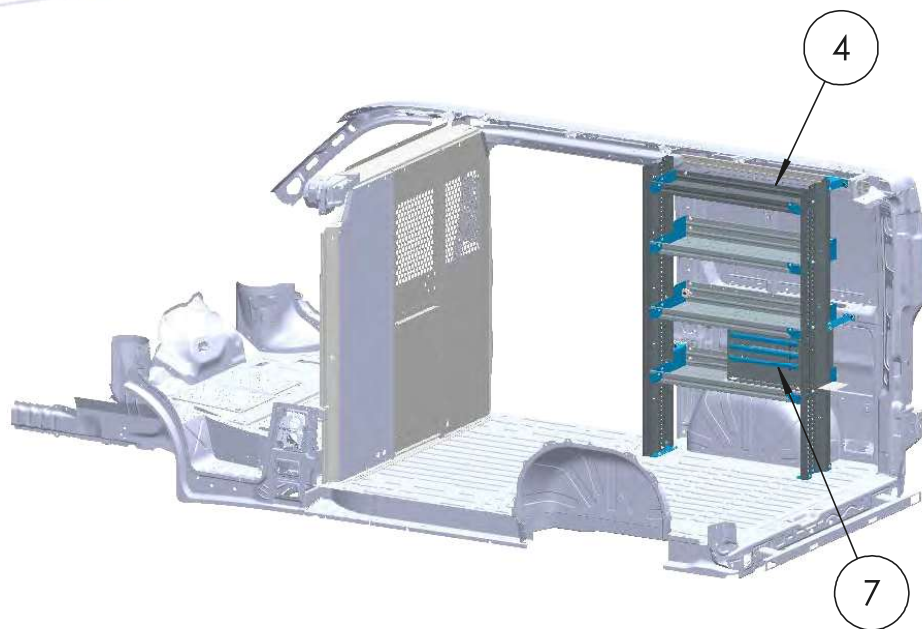


**RAM PROMASTER  
RAM ESSENTIAL PACKAGES**





ITEM NO.	PART NUMBER	DESCRIPTION	QTY.
1	S1M2C2PM	SMC PANEL KIT, PM	1
2	WKC1PM	WING KIT, PROMASTER, STD POS	1
3	ARKPML118	RAIL KIT, PM LR 118	1
4	AS-2T1436PMLA	SF UNIT, 2T, 14X36, PML, A, 4	1
5	AS-2T1478PMLA	SF UNIT, 2T, 14X78, PML, A, 4	1
6	DIVK148	SHELF DIVIDER KIT, 14D, 8	1
7	ADUK1418A3C-RI	DRAWER UNIT, 14X18, A, 3, C, R	1



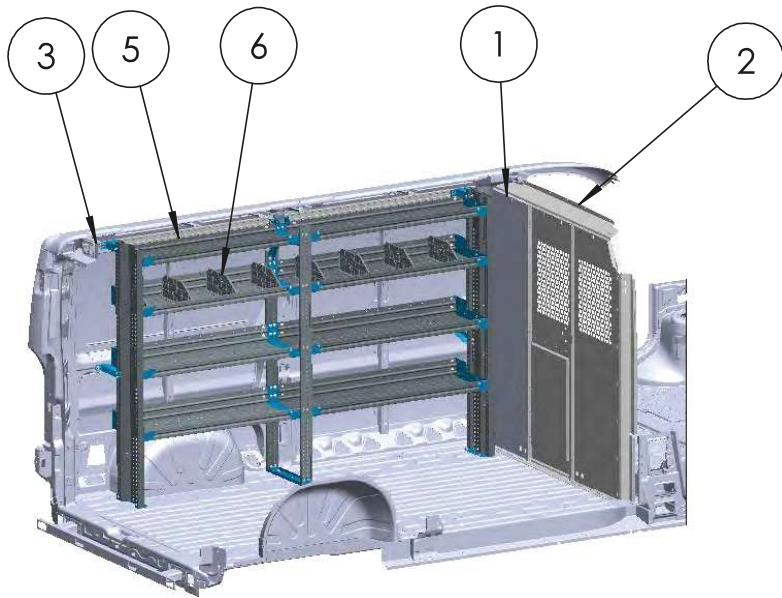
**CAUTION:** DRILL THRU FLOOR WITH CARE! WATCH FOR GAS TANK, CONTROL LINES, & ELECTRICAL WIRING.



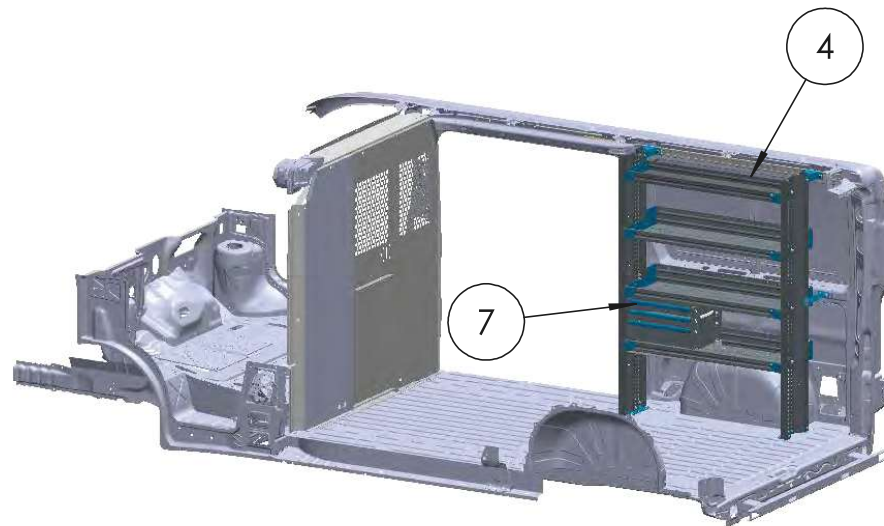
906 James Street  
 Adrian, Michigan 49221  
 517.265.6194  
 WWW.ADRIANSTEEL.COM

ALL DESIGNS AND DESIGN CONCEPTS ARE THE INTELLECTUAL PROPERTY OF ADRIAN STEEL COMPANY AND ARE NOT TO BE COPIED, DISTRIBUTED OR COMMUNICATED TO OUTSIDE PARTIES WITHOUT THE WRITTEN PERMISSION OF ADRIAN STEEL COMPANY. THE MATERIAL/CONCEPTS/DESIGNS CONTAINED WITHIN THIS DOCUMENT ARE FOR THE PURPOSE OF SUPPLYING PRODUCT TO POTENTIAL ADRIAN STEEL COMPANY CUSTOMERS.

Drawn By:	<b>CR</b>	Customer:	<b>BIN PACKAGE</b>		
Date:	<b>08/13/2025</b>	Vehicle	<b>PROMASTER 118LR</b>		
ECN No:	<b>28499</b>	Package Weight:	<b>403.21</b>	Sheet:	<b>1 of 1</b>
PDS No:	<b>BIN-PMLR118B</b>	Rev.:	<b>A</b>		



ITEM NO.	PART NUMBER	DESCRIPTION	QTY.
1	S1M2C2PM	SMC PANEL KIT, PM	1
2	WKC1PM	WING KIT, PROMASTER, STD POS	1
3	ARKPM136	RAIL KIT, PM, 136	1
4	AS-2T1442PMLA	SF UNIT, 2T, 14X42, PML, A, 4	1
5	AS-2T1490PMLA	SF UNIT, 2T, 14X90, PML, A, 4	1
6	DIVK148	SHELF DIVIDER KIT, 14D, 8	1
7	ADUK1418A3C-RI	DRAWER UNIT, 14X18, A, 3, C, R	1

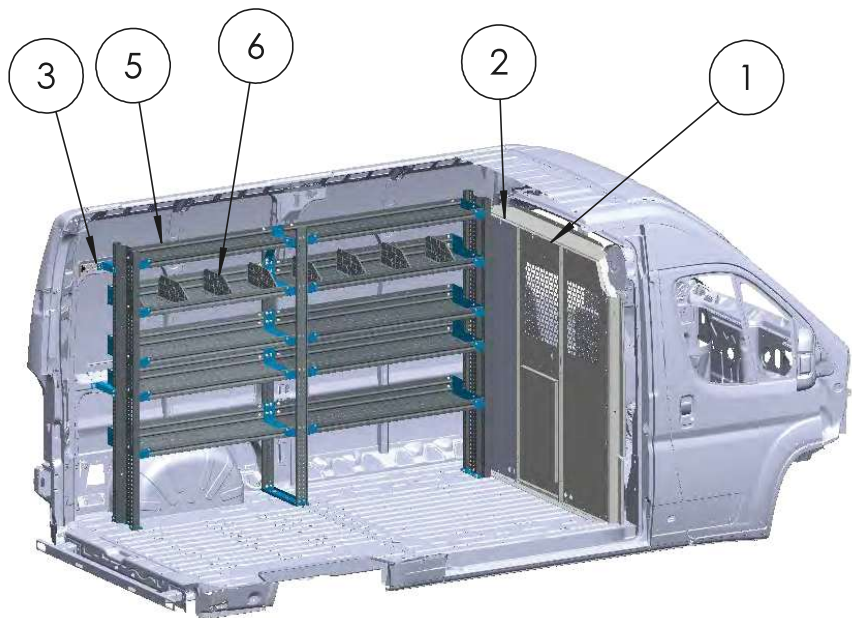


**CAUTION:** DRILL THRU FLOOR WITH CARE! WATCH FOR GAS TANK, CONTROL LINES, & ELECTRICAL WIRING.

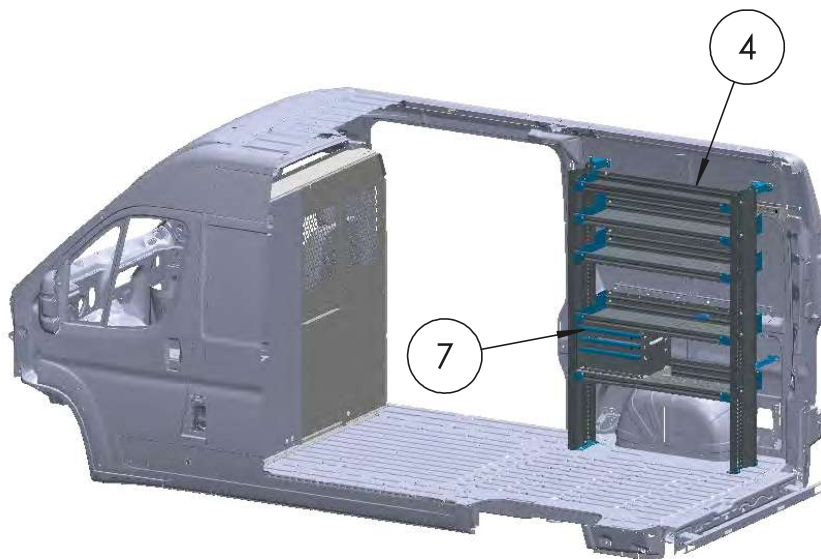
906 James Street  
 Adrian, Michigan 49221  
 517.265.6194  
 WWW.ADRIANSTEEL.COM

ALL DESIGNS AND DESIGN CONCEPTS ARE THE INTELLECTUAL PROPERTY OF ADRIAN STEEL COMPANY AND ARE NOT TO BE COPIED, DISTRIBUTED OR COMMUNICATED TO OUTSIDE PARTIES WITHOUT THE WRITTEN PERMISSION OF ADRIAN STEEL COMPANY. THE MATERIAL/CONCEPTS/DESIGNS CONTAINED WITHIN THIS DOCUMENT ARE FOR THE PURPOSE OF SUPPLYING PRODUCT TO POTENTIAL ADRIAN STEEL COMPANY CUSTOMERS.

Drawn By:	<b>CR</b>	Customer:	<b>BIN PACKAGE</b>		
Date:	<b>08/06/2025</b>	Vehicle	<b>PROMASTER 136LR</b>		
ECN No:	<b>28499</b>	Package Weight:	<b>428.75</b>	Sheet:	<b>1 of 1</b>
PDS No:	<b>BIN-PMLR136B</b>	Rev.:	<b>A</b>		



ITEM NO.	PART NUMBER	DESCRIPTION	QTY.
1	S1M2C2PM	SMC PANEL KIT, PM	1
2	WKC1PM	WING KIT, PROMASTER, STD POS	1
3	ARKPM136	RAIL KIT, PM, 136	1
4	AS-2T1442PMHA	SF UNIT, 2T, 14X42, PMH, A, 5	1
5	AS-2T1490PMHA	SF UNIT, 2T, 14X90, PMH, A, 5	1
6	DIVK148	SHELF DIVIDER KIT, 14D, 8	1
7	ADUK1418A3C-RI	DRAWER UNIT, 14X18, A, 3, C, R	1



**CAUTION:** DRILL THRU FLOOR WITH CARE! WATCH FOR GAS TANK, CONTROL LINES, & ELECTRICAL WIRING.



906 James Street  
Adrian, Michigan 49221  
517.265.6194  
WWW.ADRIANSTEEL.COM

ALL DESIGNS AND DESIGN CONCEPTS ARE THE INTELLECTUAL PROPERTY OF ADRIAN STEEL COMPANY AND ARE NOT TO BE COPIED, DISTRIBUTED OR COMMUNICATED TO OUTSIDE PARTIES WITHOUT THE WRITTEN PERMISSION OF ADRIAN STEEL COMPANY. THE MATERIAL/CONCEPTS/DESIGNS CONTAINED WITHIN THIS DOCUMENT ARE FOR THE PURPOSE OF SUPPLYING PRODUCT TO POTENTIAL ADRIAN STEEL COMPANY CUSTOMERS.

Drawn By: **CR**

Date: **08/06/2025**

ECN No: **28499**

PDS No: **BIN-PMHR136B**

Customer:

**BIN  
PACKAGE**

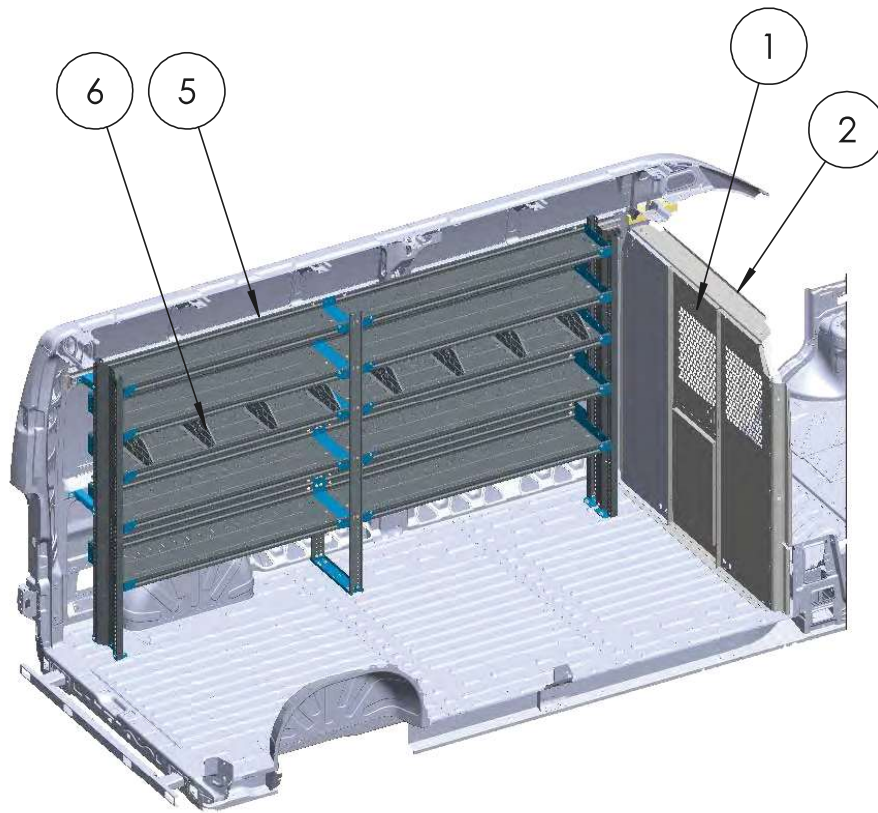
Vehicle

**PROMASTER 136HR**

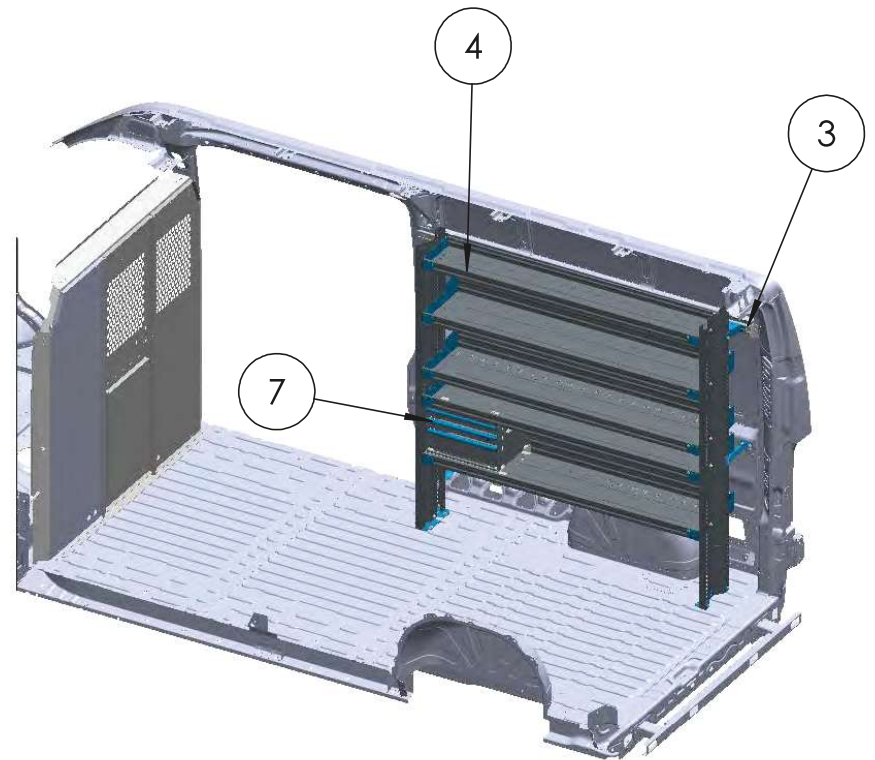
Package Weight: **473.57**

Sheet: **1 of 1**

Rev.: **A**



ITEM NO.	PART NUMBER	DESCRIPTION	QTY.
1	S1M2C2PM	SMC PANEL KIT, PM	1
2	WKC1PM.	WING KIT, PROMASTER, STD POS	1
3	ARKPMH159	RAIL KIT,PM HR 159	1
4	AS-2T1466PMHA	SF UNIT,2T,14X66,PMH,A,5	1
5	AS-2T14114PMHA	SF UNIT,2T,14X114,PMH,A,5	1
6	DIVK148	SHELF DIVIDER KIT,14D,8	1
7	ADUK1418A3C-RI	DRAWER UNIT,14X18,A,3,C,R	1



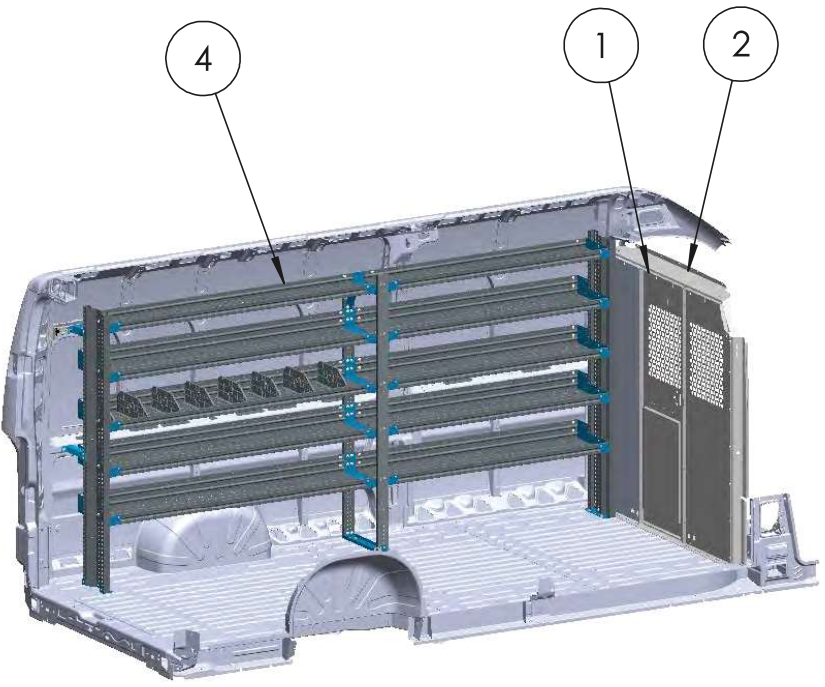
**CAUTION:** DRILL THRU FLOOR WITH CARE! WATCH FOR GAS TANK, CONTROL LINES, & ELECTRICAL WIRING.



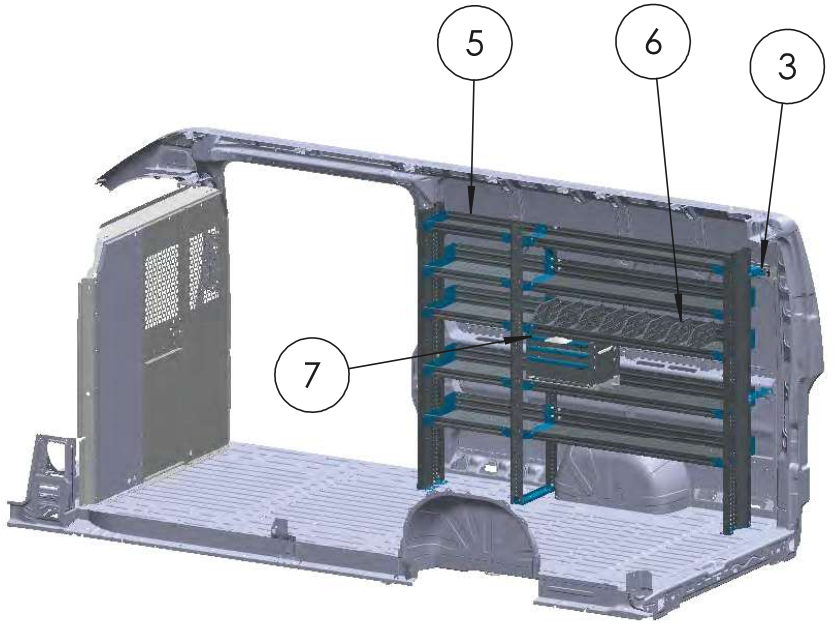
906 James Street  
Adrian, Michigan 49221  
517.265.6194  
WWW.ADRIANSTEEL.COM

ALL DESIGNS AND DESIGN CONCEPTS ARE THE INTELLECTUAL PROPERTY OF ADRIAN STEEL COMPANY AND ARE NOT TO BE COPIED, DISTRIBUTED OR COMMUNICATED TO OUTSIDE PARTIES WITHOUT THE WRITTEN PERMISSION OF ADRIAN STEEL COMPANY. THE MATERIAL/CONCEPTS/DESIGNS CONTAINED WITHIN THIS DOCUMENT ARE FOR THE PURPOSE OF SUPPLYING PRODUCT TO POTENTIAL ADRIAN STEEL COMPANY CUSTOMERS.

Drawn By:	<b>CR</b>	Customer:	<b>BIN PACKAGE</b>		
Date:	<b>08/07/2025</b>	Vehicle	<b>PROMASTER 159HR</b>		
ECN No:	<b>28499</b>	Package Weight:	<b>572.30</b>	Sheet:	<b>1 of 1</b>
PDS No:	<b>BIN-PMHR159B</b>	Rev.:	<b>A</b>		



ITEM NO.	PART NUMBER	DESCRIPTION	QTY.
1	S1M2C2PM	SMC PANEL KIT, PM	1
2	WKC1PM	WING KIT, PROMASTER, STD POS	1
3	ARKPMH159X	RAIL KIT,PM 159X	1
4	AS-2T14132PMHA	SF UNIT,2T,14X132,PMH,A,5	1
5	AS-2T1478PMHA	SF UNIT,2T,14X78,PMH,A,5	1
6	DIVK148	SHELF DIVIDER KIT,14D,8	2
7	ADUK1418A3C-RI	DRAWER UNIT,14X18,A,3,C,R	1

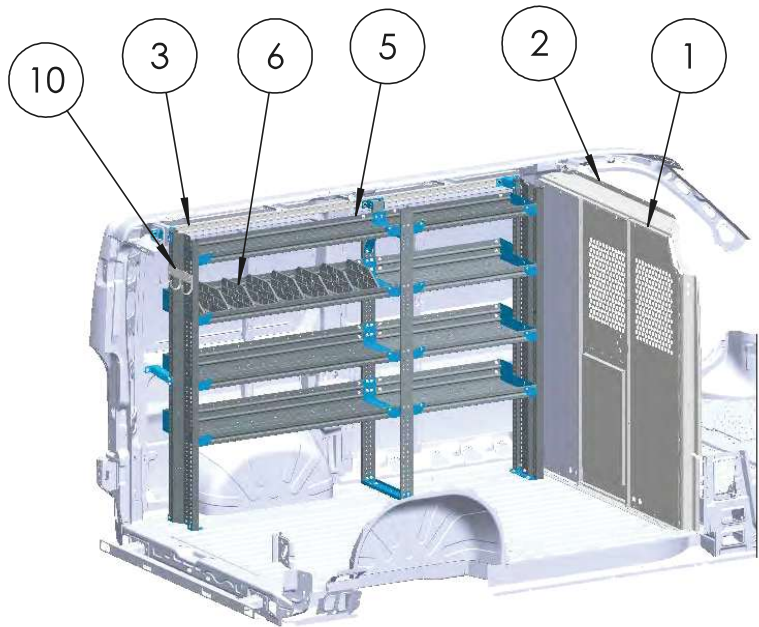


**CAUTION:** DRILL THRU FLOOR WITH CARE! WATCH FOR GAS TANK, CONTROL LINES, & ELECTRICAL WIRING.

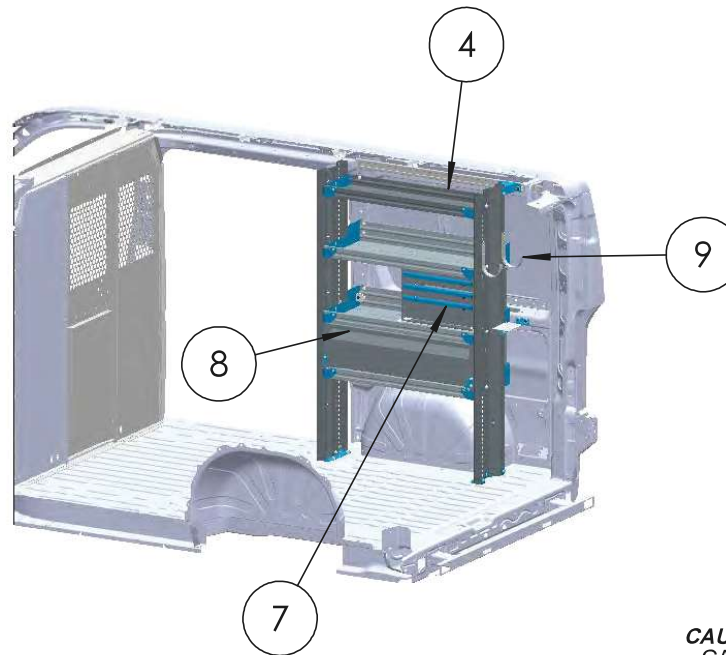
**ADRIAN STEEL**  
 906 James Street  
 Adrian, Michigan 49221  
 517.265.6194  
 WWW.ADRIANSTEEL.COM

ALL DESIGNS AND DESIGN CONCEPTS ARE THE INTELLECTUAL PROPERTY OF ADRIAN STEEL COMPANY AND ARE NOT TO BE COPIED, DISTRIBUTED OR COMMUNICATED TO OUTSIDE PARTIES WITHOUT THE WRITTEN PERMISSION OF ADRIAN STEEL COMPANY. THE MATERIAL/CONCEPTS/DESIGNS CONTAINED WITHIN THIS DOCUMENT ARE FOR THE PURPOSE OF SUPPLYING PRODUCT TO POTENTIAL ADRIAN STEEL COMPANY CUSTOMERS.

Drawn By:	<b>CR</b>	Customer:	<b>BIN PACKAGE</b>		
Date:	<b>08/15/2025</b>	Vehicle:	<b>PROMASTER HR159X</b>		
ECN No:	<b>28499</b>	PDS No:	<b>BIN-PMHR159XB</b>	Package Weight:	<b>626.15</b>
		Sheet:	<b>1 of 1</b>	Rev.:	<b>A</b>



ITEM NO.	PART NUMBER	DESCRIPTION	QTY.
1	S1M2C2PM	SMC PANEL KIT, PM	1
2	WKC1PM	WING KIT, PROMASTER, STD POS	1
3	ARKPML118	RAIL KIT, PM LR 118	1
4	AS-2T1436PMLA	SF UNIT, 2T, 14X36, PML, A, 4	1
5	AS-2T1478PMLA	SF UNIT, 2T, 14X78, PML, A, 4	1
6	DIVK148	SHELF DIVIDER KIT, 14D, 8	1
7	ADUK1418A3C-RI	DRAWER UNIT, 14X18, A, 3, C, R	1
8	ADK1036A	DOOR KIT, 10X36, A	1
9	UH50	HOOK 5"	2
10	UHB3	UTILITY HOOK BAR, 3	1



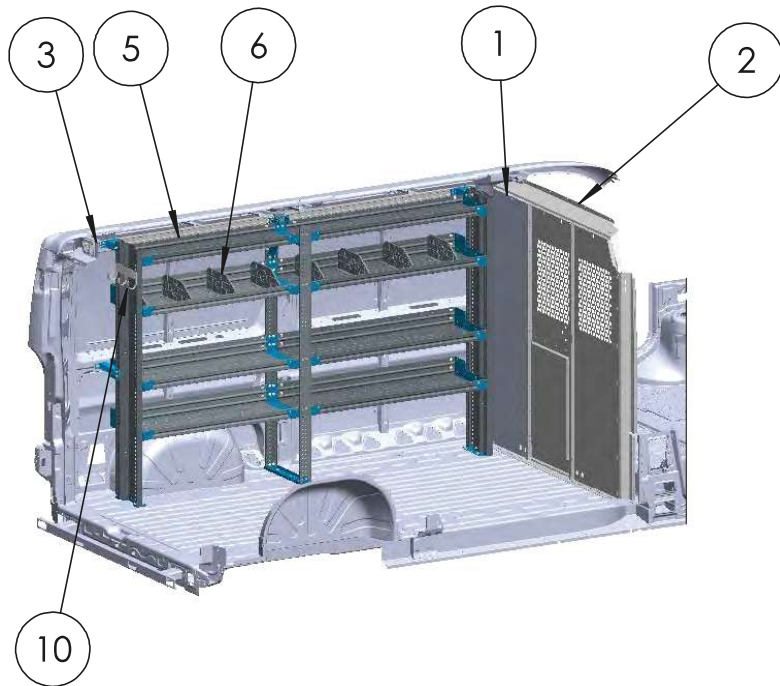
**CAUTION:** DRILL THRU FLOOR WITH CARE! WATCH FOR GAS TANK, CONTROL LINES, & ELECTRICAL WIRING.



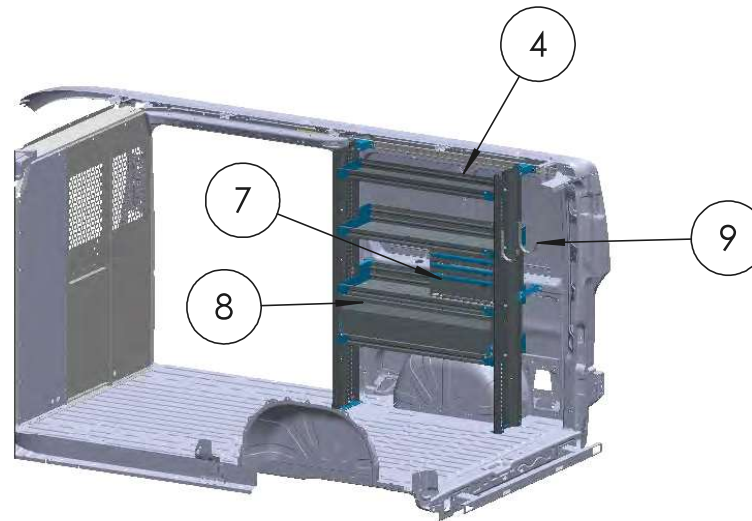
906 James Street  
Adrian, Michigan 49221  
517.265.6194  
WWW.ADRIANSTEEL.COM

ALL DESIGNS AND DESIGN CONCEPTS ARE THE INTELLECTUAL PROPERTY OF ADRIAN STEEL COMPANY AND ARE NOT TO BE COPIED, DISTRIBUTED OR COMMUNICATED TO OUTSIDE PARTIES WITHOUT THE WRITTEN PERMISSION OF ADRIAN STEEL COMPANY. THE MATERIAL/CONCEPTS/DESIGNS CONTAINED WITHIN THIS DOCUMENT ARE FOR THE PURPOSE OF SUPPLYING PRODUCT TO POTENTIAL ADRIAN STEEL COMPANY CUSTOMERS.

Drawn By:	<b>CR</b>	Customer:	<b>GENERAL SERVICE PACKAGE</b>		
Date:	<b>08/14/2025</b>	Vehicle:	<b>PROMASTER 118LR</b>		
ECN No:	<b>28499</b>	PDS No:	<b>GEN-PMLR118B</b>	Package Weight:	<b>464.12</b>
		Sheet:	<b>1 of 1</b>	Rev.:	<b>A</b>



ITEM NO.	PART NUMBER	DESCRIPTION	QTY.
1	S1M2C2PM	SMC PANEL KIT, PM	1
2	WKC1PM	WING KIT, PROMASTER, STD POS	1
3	ARKPM136	RAIL KIT, PM, 136	1
4	AS-2T1442PMLA	SF UNIT, 2T, 14X42, PML, A, 4	1
5	AS-2T1490PMLA	SF UNIT, 2T, 14X90, PML, A, 4	1
6	DIVK148	SHELF DIVIDER KIT, 14D, 8	1
7	ADUK1418A3C-RI	DRAWER UNIT, 14X18, A, 3, C, R	1
8	ADK1042A	DOOR KIT, 10X42, A	1
9	UH50	HOOK 5"	2
10	UHB3	UTILITY HOOK BAR, 3	1



**CAUTION:** DRILL THRU FLOOR WITH CARE! WATCH FOR GAS TANK, CONTROL LINES, & ELECTRICAL WIRING.



906 James Street  
Adrian, Michigan 49221  
517.265.6194  
WWW.ADRIANSTEEL.COM

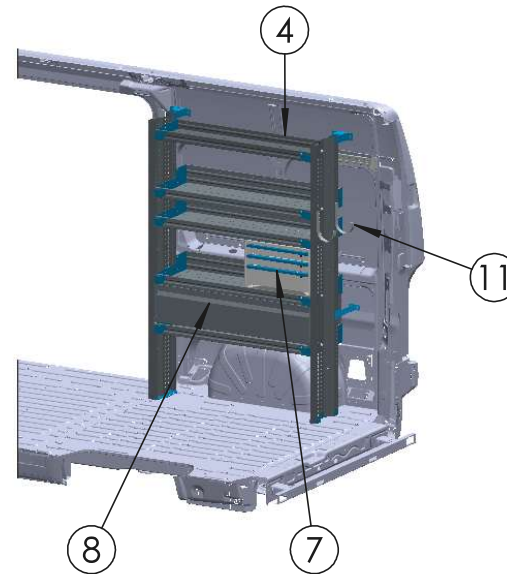
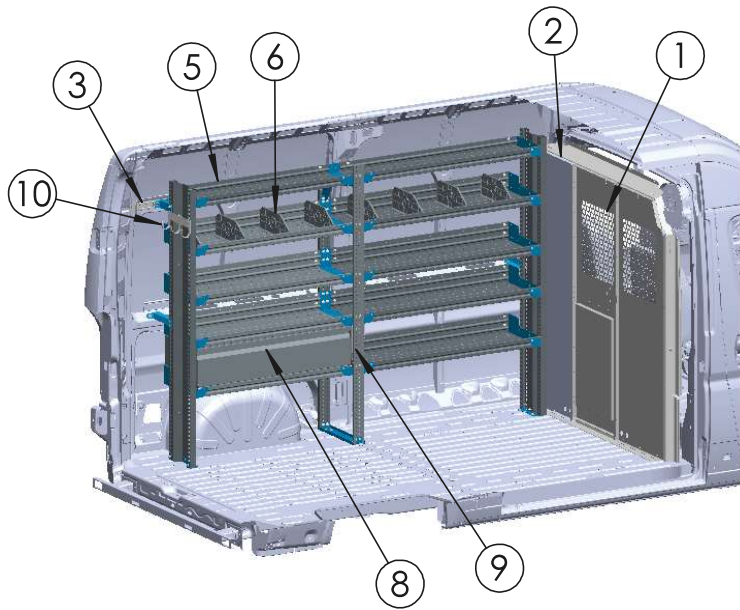
ALL DESIGNS AND DESIGN CONCEPTS ARE THE INTELLECTUAL PROPERTY OF ADRIAN STEEL COMPANY AND ARE NOT TO BE COPIED, DISTRIBUTED OR COMMUNICATED TO OUTSIDE PARTIES WITHOUT THE WRITTEN PERMISSION OF ADRIAN STEEL COMPANY.  
THE MATERIAL/CONCEPTS/DESIGNS CONTAINED WITHIN THIS DOCUMENT ARE FOR THE PURPOSE OF SUPPLYING PRODUCT TO POTENTIAL ADRIAN STEEL COMPANY CUSTOMERS.

Drawn By: **CR**  
Date: **08/13/2025**  
ECN No: **28499**  
PDS No: **GEN-PMLR136B**

Customer: **GENERAL SERVICE PACKAGE**  
Vehicle: **PROMASTER 136LR**

Package Weight: **489.66**  
Sheet: **1 of 1**  
Rev.: **A**

ITEM NO.	PART NUMBER	DESCRIPTION	QTY.
1	S1M2C2PM	SMC PANEL KIT, PM	1
2	WKC1PM	WING KIT, PROMASTER, STD POS	1
3	ARKPM136	RAIL KIT, PM, 136	1
4	AS-2T1442PMHA	SF UNIT, 2T, 14X42, PMH, A, 5	1
5	AS-2T1490PMHA	SF UNIT, 2T, 14X90, PMH, A, 5	1
6	DIVK148	SHELF DIVIDER KIT, 14D, 8	1
7	ADUK1418A3C-RI	DRAWER UNIT, 14X18, A, 3, C, R	1
8	ADK1042A	DOOR KIT, 10X42, A	2
9	ADKFP14A	DOUBLE SHELVE 14" FILLER PANEL, DOOR KIT	1
10	UHB3	UTILITY HOOK BAR, 3	1
11	UH50	HOOK 5"	2



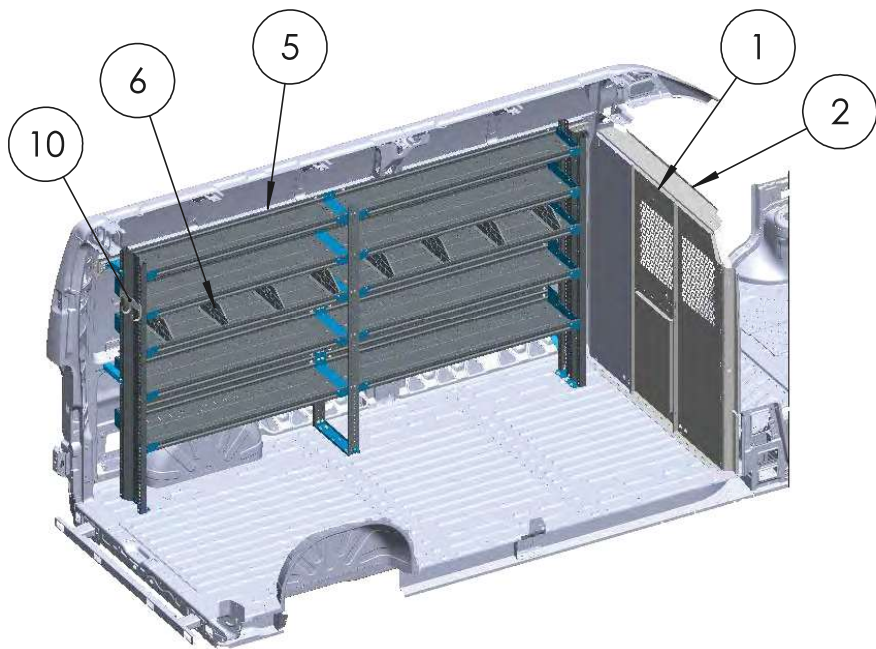
**CAUTION:** DRILL THRU FLOOR WITH CARE! WATCH FOR GAS TANK, CONTROL LINES, & ELECTRICAL WIRING.



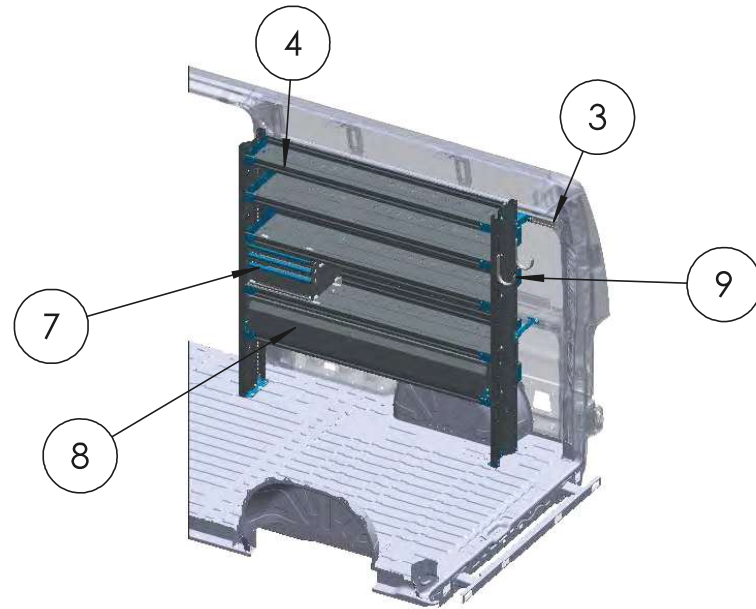
906 James Street  
Adrian, Michigan 49221  
517.265.6194  
WWW.ADRIANSTEEL.COM

ALL DESIGNS AND DESIGN CONCEPTS ARE THE INTELLECTUAL PROPERTY OF ADRIAN STEEL COMPANY AND ARE NOT TO BE COPIED, DISTRIBUTED OR COMMUNICATED TO OUTSIDE PARTIES WITHOUT THE WRITTEN PERMISSION OF ADRIAN STEEL COMPANY. THE MATERIAL/CONCEPTS/DESIGNS CONTAINED WITHIN THIS DOCUMENT ARE FOR THE PURPOSE OF SUPPLYING PRODUCT TO POTENTIAL ADRIAN STEEL COMPANY CUSTOMERS.

Drawn By:	<b>CR</b>	Customer:	<b>GENERAL SERVICE PACKAGE</b>		
Date:	<b>2-14-26</b>				
ECN No:	<b>29175</b>	Vehicle:	<b>PROMASTER 136HR</b>		
PDS No:	<b>GEN-PMHR136B</b>	Package Weight:	<b>534.48</b>	Sheet:	<b>1 of 1</b>
				Rev.:	<b>B</b>



ITEM NO.	PART NUMBER	DESCRIPTION	QTY.
1	S1M2C2PM	SMC PANEL KIT, PM	1
2	WKC1PM.	WING KIT, PROMASTER, STD POS	1
3	ARKPMH159	RAIL KIT,PM HR 159	1
4	AS-2T1466PMHA	SF UNIT,2T,14X66,PMH,A,5	1
5	AS-2T14114PMHA	SF UNIT,2T,14X114,PMH,A,5	1
6	DIVK148	SHELF DIVIDER KIT,14D,8	1
7	ADUK1418A3C-RI	DRAWER UNIT,14X18,A,3,C,R	1
8	ADK1066A	DOOR KIT,10X66,A	1
9	UH50	HOOK 5"	2
10	UHB3	UTILITY HOOK BAR, 3	1



**CAUTION:** DRILL THRU FLOOR WITH CARE! WATCH FOR GAS TANK, CONTROL LINES, & ELECTRICAL WIRING.



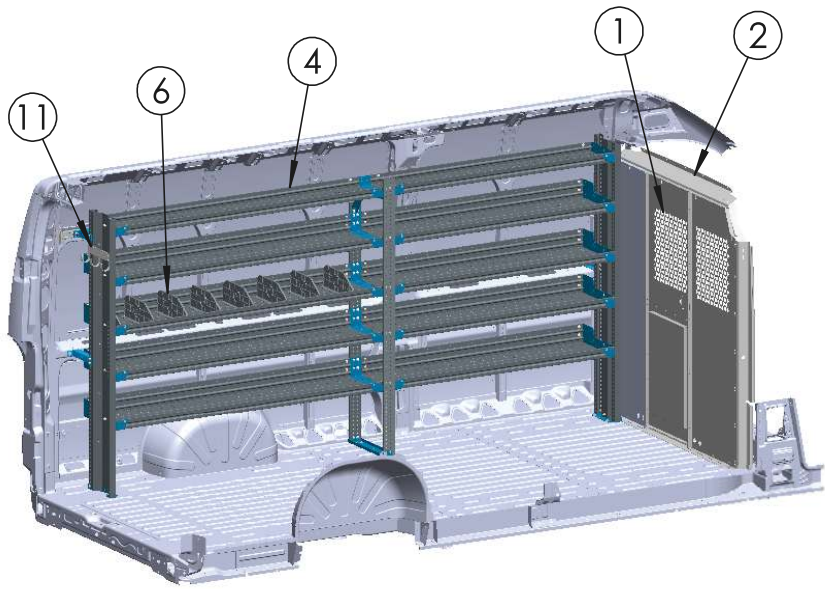
906 James Street  
Adrian, Michigan 49221  
517.265.6194  
WWW.ADRIANSTEEL.COM

ALL DESIGNS AND DESIGN CONCEPTS ARE THE INTELLECTUAL PROPERTY OF ADRIAN STEEL COMPANY AND ARE NOT TO BE COPIED, DISTRIBUTED OR COMMUNICATED TO OUTSIDE PARTIES WITHOUT THE WRITTEN PERMISSION OF ADRIAN STEEL COMPANY. THE MATERIAL/CONCEPTS/DESIGNS CONTAINED WITHIN THIS DOCUMENT ARE FOR THE PURPOSE OF SUPPLYING PRODUCT TO POTENTIAL ADRIAN STEEL COMPANY CUSTOMERS.

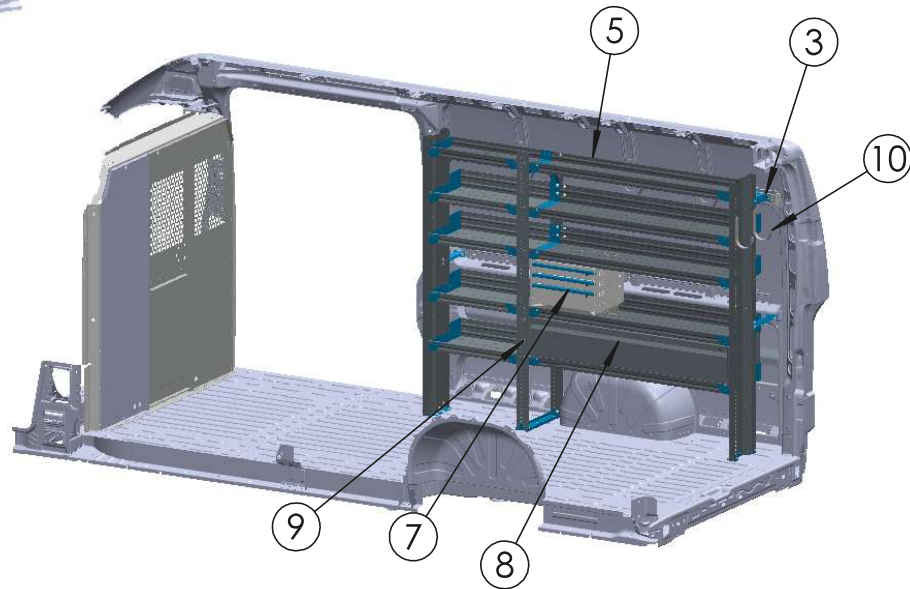
Drawn By: **CR**  
Date: **08/08/2025**  
ECN No: **28499**  
PDS No: **GEN-PMHR159B**

Customer: **GENERAL SERVICE PACKAGE**  
Vehicle: **PROMASTER 159HR**

Package Weight: **645.74**  
Sheet: **1 of 1**  
Rev.: **A**



ITEM NO.	PART NUMBER	DESCRIPTION	QTY.
1	S1M2C2PM	SMC PANEL KIT, PM	1
2	WKC1PM	WING KIT, PROMASTER, STD POS	1
3	ARKPMH159X	RAIL KIT, PM HR 159X	1
4	AS-2T14132PMHA	SF UNIT, 2T, 14X132, PMH, A, 5	1
5	AS-2T1478PMHA	SF UNIT, 2T, 14X78, PMH, A, 5	1
6	DIVK148	SHELF DIVIDER KIT, 14D, 8	1
7	ADUK1418A3C-RI	DRAWER UNIT, 14X18, A, 3, C, R	1
8	ADK1054A	DOOR KIT, 10X54, A	1
9	ADKFP14A	DOUBLE SHELVE 14" FILLER PANEL, DOOR KIT	1
10	UH50	HOOK 5"	2
11	UHB3	UTILITY HOOK BAR, 3	1



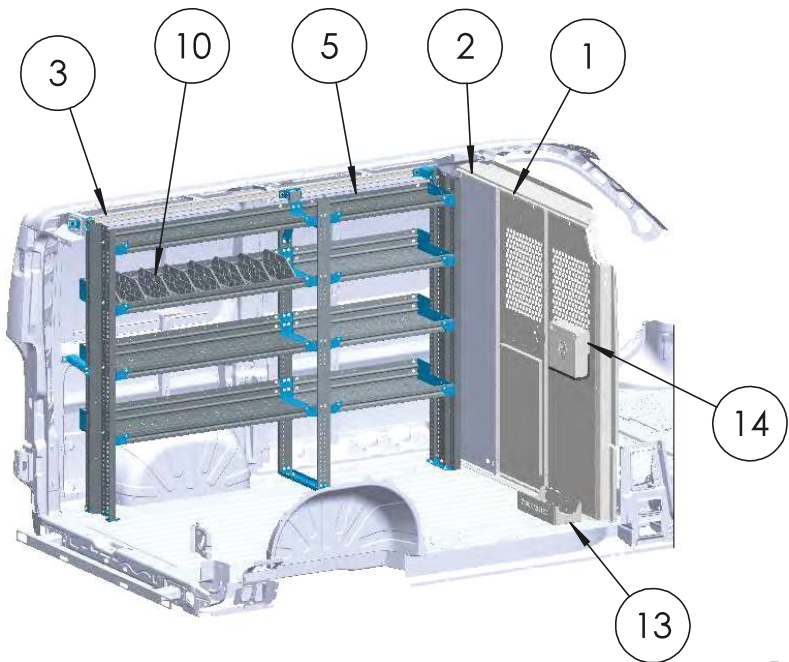
**CAUTION:** DRILL THRU FLOOR WITH CARE! WATCH FOR GAS TANK, CONTROL LINES, & ELECTRICAL WIRING.



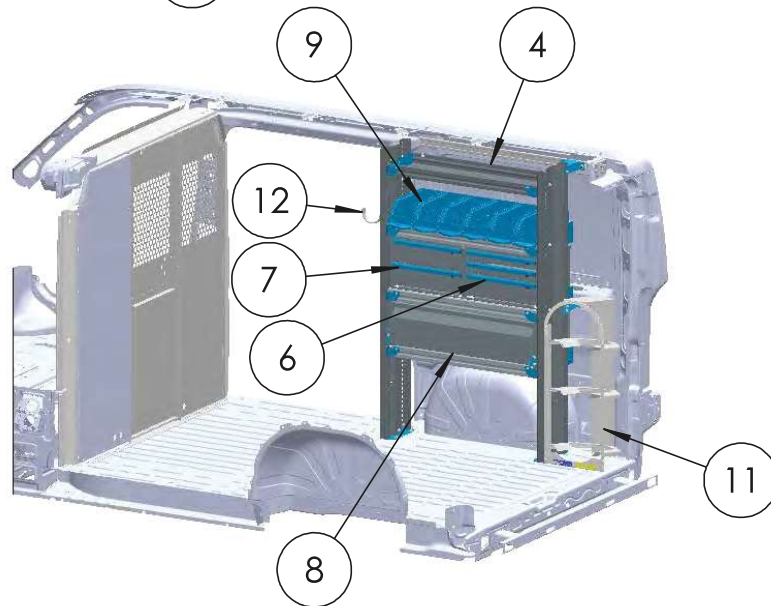
906 James Street  
 Adrian, Michigan 49221  
 517.265.6194  
 WWW.ADRIANSTEEL.COM

ALL DESIGNS AND DESIGN CONCEPTS ARE THE INTELLECTUAL PROPERTY OF ADRIAN STEEL COMPANY AND ARE NOT TO BE COPIED, DISTRIBUTED OR COMMUNICATED TO OUTSIDE PARTIES WITHOUT THE WRITTEN PERMISSION OF ADRIAN STEEL COMPANY. THE MATERIAL/CONCEPTS/DESIGNS CONTAINED WITHIN THIS DOCUMENT ARE FOR THE PURPOSE OF SUPPLYING PRODUCT TO POTENTIAL ADRIAN STEEL COMPANY CUSTOMERS.

Drawn By:	<b>CR</b>	Customer:	<b>GENERAL SERVICE PACKAGE</b>		
Date:	<b>2-15-26</b>				
ECN No:	<b>29175</b>	Vehicle:	<b>PROMASTER HR159X</b>		
PDS No:	<b>GEN-PMHR159XB</b>	Package Weight:	<b>701.68</b>	Sheet:	<b>1 of 1</b>
				Rev.:	<b>B</b>



ITEM NO.	PART NUMBER	DESCRIPTION	QTY.
1	S1M2C2PM	SMC PANEL KIT, PM	1
2	WKC1PM	WING KIT, PROMASTER, STD POS	1
3	ARKPML118	RAIL KIT, PM LR 118	1
4	AS-2T1436PMLA	SF UNIT, 2T, 14X36, PML, A, 4	1
5	AS-2T1478PMLA	SF UNIT, 2T, 14X78, PML, A, 4	1
6	ADUK1418A3C-RI	DRAWER UNIT, 14X18, A, 3, C, R	1
7	ADUK1418A2T-RI	DRAWER UNIT, 14X18, A, 2, T, R	1
8	ADK1036A	DOOR KIT, 10X36, A	1
9	BIN614	BIN, 6W X 14D	6
10	DIVK148	SHELF DIVIDER KIT, 14D, 8	1
11	230150TR	TANK RACK, 2-30LB 50LB TANKS	1
12	UH50	HOOK 5"	2
13	VPH1	HVAC PUMP STORAGE KIT	1
14	GC1	HVAC GAUGE COVER KIT	1



**CAUTION:** DRILL THRU FLOOR WITH CARE! WATCH FOR GAS TANK, CONTROL LINES, & ELECTRICAL WIRING.



906 James Street  
Adrian, Michigan 49221  
517.265.6194  
WWW.ADRIANSTEEL.COM

ALL DESIGNS AND DESIGN CONCEPTS ARE THE INTELLECTUAL PROPERTY OF ADRIAN STEEL COMPANY AND ARE NOT TO BE COPIED, DISTRIBUTED OR COMMUNICATED TO OUTSIDE PARTIES WITHOUT THE WRITTEN PERMISSION OF ADRIAN STEEL COMPANY. THE MATERIAL/CONCEPTS/DESIGNS CONTAINED WITHIN THIS DOCUMENT ARE FOR THE PURPOSE OF SUPPLYING PRODUCT TO POTENTIAL ADRIAN STEEL COMPANY CUSTOMERS.

Drawn By: **CR**

Date: **08/14/2025**

ECN No: **28499**

PDS No: **HVAC-PMLR118B**

Customer:

**HVAC STARTER PACKAGE**

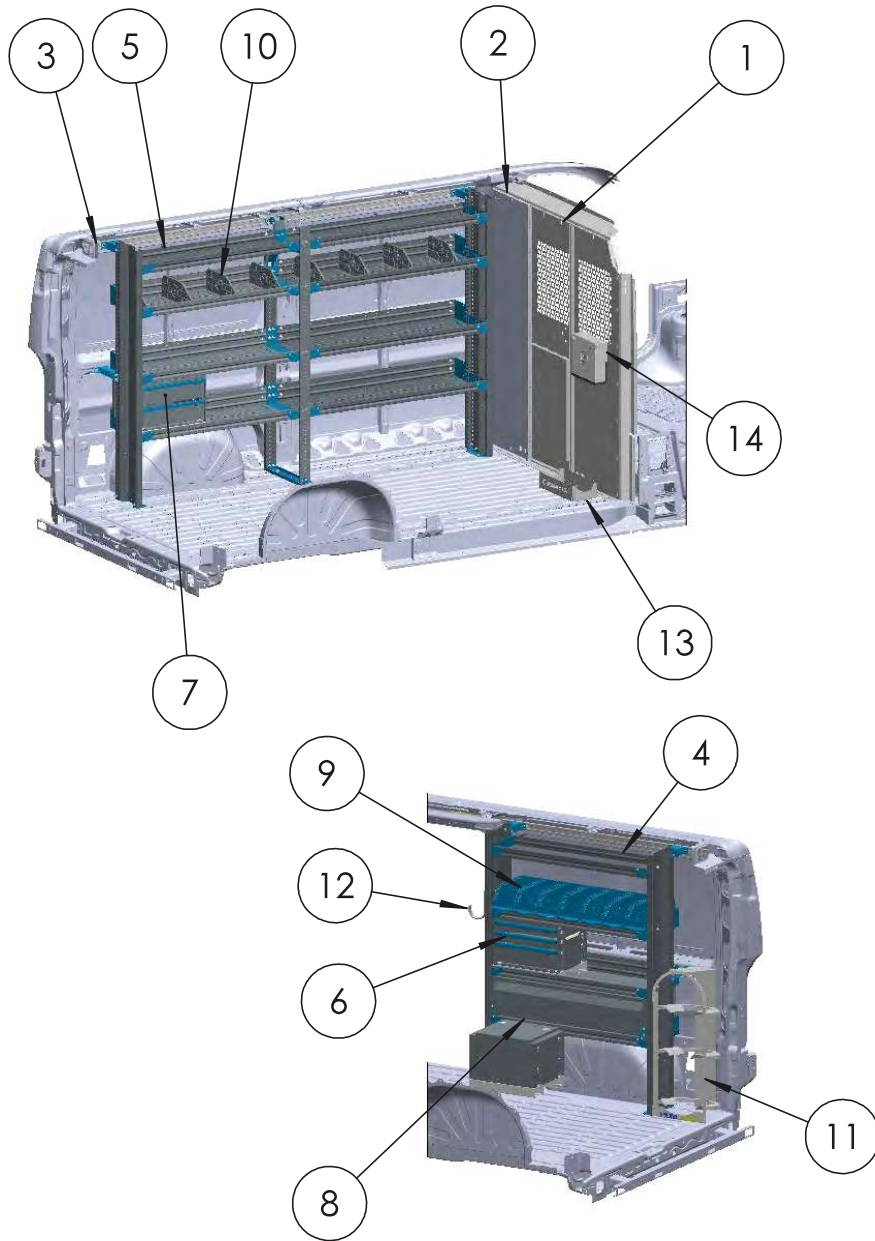
Vehicle

**PROMASTER 118LR**

Package Weight: **589.42**

Sheet: **1 of 1**

Rev.: **A**



ITEM NO.	PART NUMBER	DESCRIPTION	QTY.
1	S1M2C2PM	SMC PANEL KIT, PM	1
2	WKC1PM	WING KIT, PROMASTER, STD POS	1
3	ARKPM136	RAIL KIT, PM, 136	1
4	AS-2T1442PMLA	SF UNIT, 2T, 14X42, PML, A, 4	1
5	AS-2T1490PMLA	SF UNIT, 2T, 14X90, PML, A, 4	1
6	ADUK1418A3C-RI	DRAWER UNIT, 14X18, A, 3, C, R	1
7	ADUK1418A2T-RI	DRAWER UNIT, 14X18, A, 2, T, R	1
8	ADK1042A	DOOR KIT, 10X42, A	1
9	BIN614	BIN, 6W X 14D	7
10	DIVK148	SHELF DIVIDER KIT, 14D, 8	1
11	230150TR	TANK RACK, 2-30LB 50LB TANKS	1
12	UH50	HOOK 5"	2
13	VPH1	HVAC PUMP STORAGE KIT	1
14	GC1	HVAC GAUGE COVER KIT	1

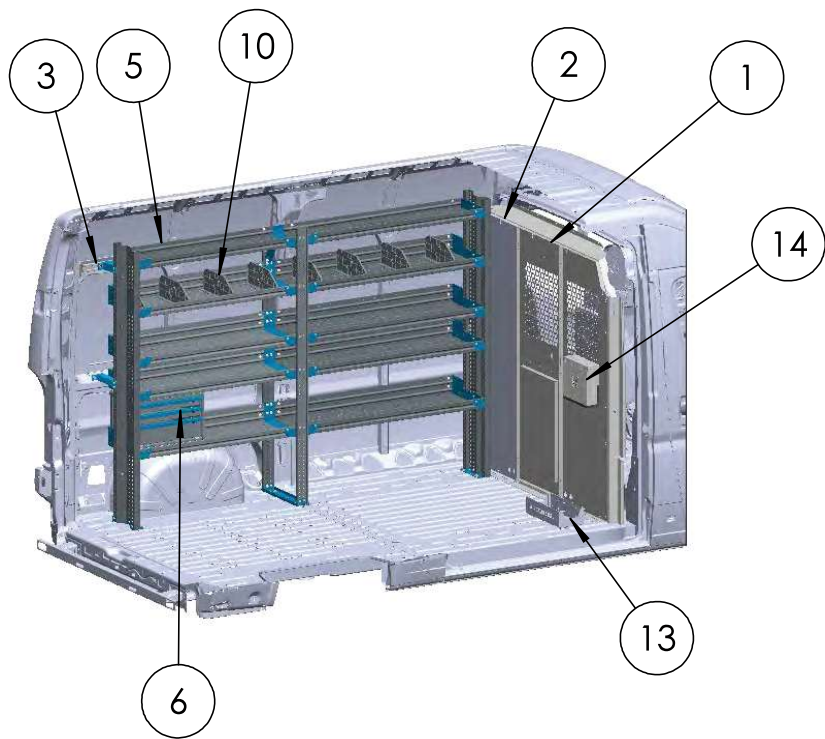
**CAUTION:** DRILL THRU FLOOR WITH CARE! WATCH FOR GAS TANK, CONTROL LINES, & ELECTRICAL WIRING.



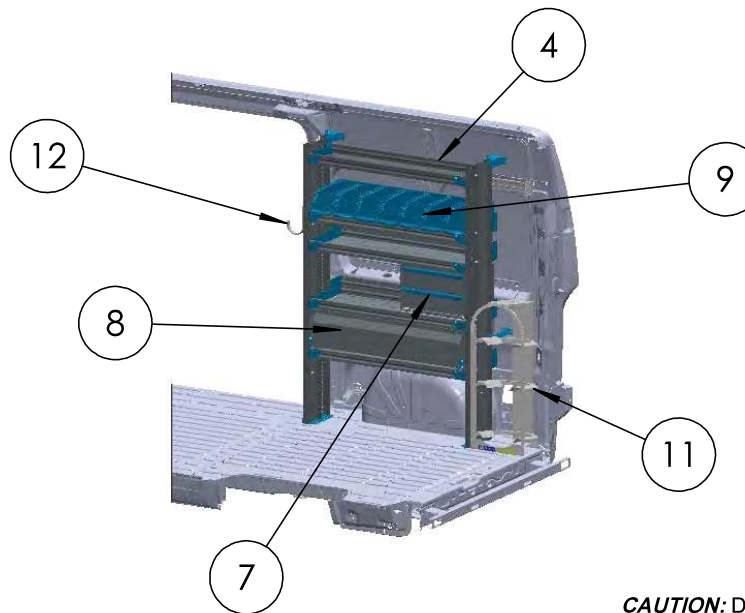
906 James Street  
Adrian, Michigan 49221  
517.265.6194  
WWW.ADRIANSTEEL.COM

ALL DESIGNS AND DESIGN CONCEPTS ARE THE INTELLECTUAL PROPERTY OF ADRIAN STEEL COMPANY AND ARE NOT TO BE COPIED, DISTRIBUTED OR COMMUNICATED TO OUTSIDE PARTIES WITHOUT THE WRITTEN PERMISSION OF ADRIAN STEEL COMPANY. THE MATERIAL/CONCEPTS/DESIGNS CONTAINED WITHIN THIS DOCUMENT ARE FOR THE PURPOSE OF SUPPLYING PRODUCT TO POTENTIAL ADRIAN STEEL COMPANY CUSTOMERS.

Drawn By:	<b>CR</b>	Customer:	<b>HVAC STARTER PACKAGE</b>		
Date:	<b>08/13/2025</b>	Vehicle:	<b>PROMASTER 136LR</b>		
ECN No:	<b>28499</b>	Package Weight:	<b>602.19</b>	Sheet:	<b>1 of 1</b>
PDS No:	<b>HVAC-PMLR136B</b>	Rev.:	<b>A</b>		



ITEM NO.	PART NUMBER	DESCRIPTION	QTY.
1	S1M2C2PM	SMC PANEL KIT, PM	1
2	WKC1PM	WING KIT, PROMASTER, STD POS	1
3	ARKPM136	RAIL KIT, PM, 136	1
4	AS-2T1442PMHA	SF UNIT, 2T, 14X42, PMH, A, 5	1
5	AS-2T1490PMHA	SF UNIT, 2T, 14X90, PMH, A, 5	1
6	ADUK1418A3C-RI	DRAWER UNIT, 14X18, A, 3, C, R	1
7	ADUK1418A2T-RI	DRAWER UNIT, 14X18, A, 2, T, R	1
8	ADK1042A	DOOR KIT, 10X42, A	1
9	BIN614	BIN, 6W X 14D	7
10	DIVK148	SHELF DIVIDER KIT, 14D, 8	1
11	230150TR	TANK RACK, 2-30LB 50LB TANKS	1
12	UH50	HOOK 5"	2
13	VPH1	HVAC PUMP STORAGE KIT	1
14	GC1	HVAC GAUGE COVER KIT	1



**CAUTION:** DRILL THRU FLOOR WITH CARE! WATCH FOR GAS TANK, CONTROL LINES, & ELECTRICAL WIRING.

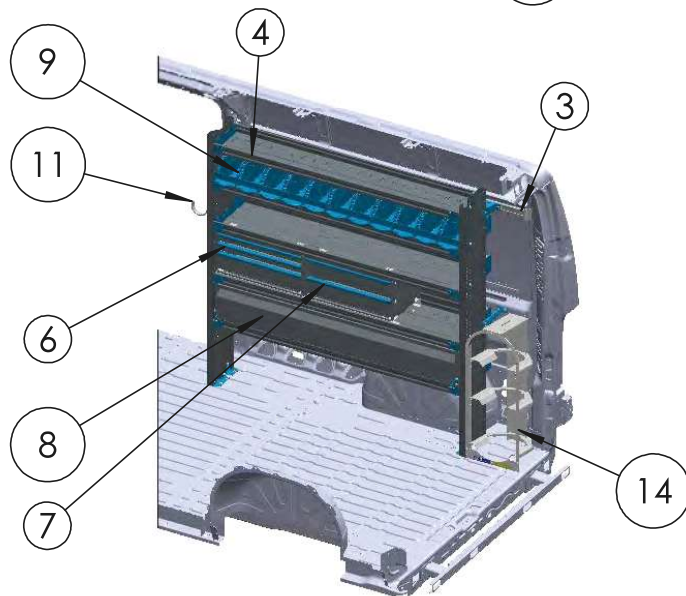
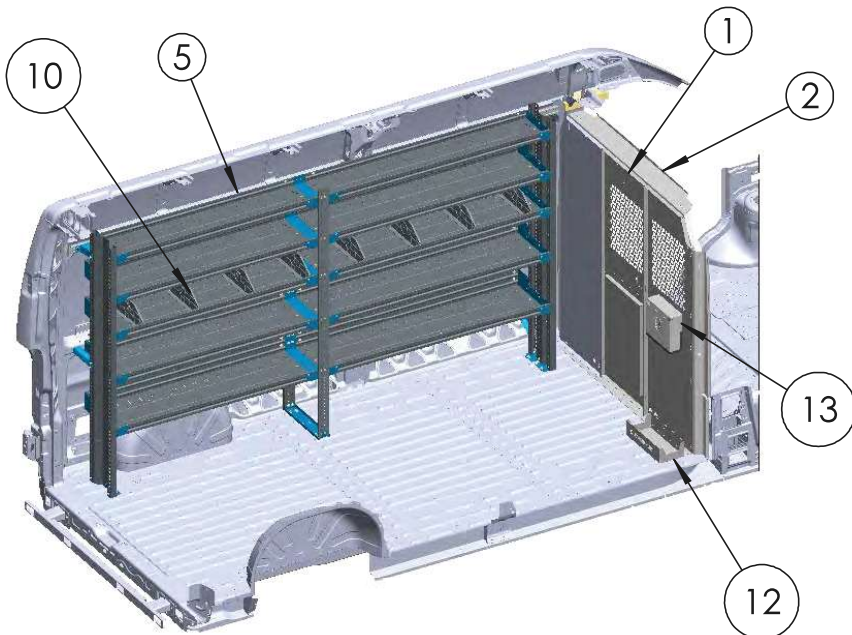


906 James Street  
Adrian, Michigan 49221  
517.265.6194  
WWW.ADRIANSTEEL.COM

ALL DESIGNS AND DESIGN CONCEPTS ARE THE INTELLECTUAL PROPERTY OF ADRIAN STEEL COMPANY AND ARE NOT TO BE COPIED, DISTRIBUTED OR COMMUNICATED TO OUTSIDE PARTIES WITHOUT THE WRITTEN PERMISSION OF ADRIAN STEEL COMPANY. THE MATERIAL/CONCEPTS/DESIGNS CONTAINED WITHIN THIS DOCUMENT ARE FOR THE PURPOSE OF SUPPLYING PRODUCT TO POTENTIAL ADRIAN STEEL COMPANY CUSTOMERS.

Drawn By: **CR**  
Date: **08/12/2025**  
ECN No: **28499**  
PDS No: **HVAC-PMHR136B**

Customer: **HVAC STARTER PACKAGE**  
Vehicle: **PROMASTER 136HR**  
Package Weight: **647.00**  
Sheet: **1 of 1**  
Rev.: **A**



ITEM NO.	PART NUMBER	DESCRIPTION	QTY.
1	S1M2C2PM	SMC PANEL KIT, PM	1
2	WKC1PM.	WING KIT, PROMASTER, STD POS	1
3	ARKPMH159	RAIL KIT,PM HR 159	1
4	AS-2T1466PMHA	SF UNIT,2T,14X66,PMH,A,5	1
5	AS-2T14114PMHA	SF UNIT,2T,14X114,PMH,A,5	1
6	ADUK1424A3C-RI	DRAWER UNIT,14X24,A,3,C,R	1
7	ADUK1424A2T-RI	DRAWER UNIT,14X24,A,2,T,R	1
8	ADK1066A	DOOR KIT,10X66,A	1
9	BIN614	BIN, 6W X 14D	11
10	DIVK148	SHELF DIVIDER KIT,14D,8	1
11	UH50	HOOK 5"	2
12	VPH1	HVAC PUMP STORAGE KIT	1
13	GC1	HVAC GAUGE COVER KIT	1
14	230150TR	TANK RACK, 2-30LB 50LB TANKS	1

**CAUTION:** DRILL THRU FLOOR WITH CARE! WATCH FOR GAS TANK, CONTROL LINES, & ELECTRICAL WIRING.



906 James Street  
Adrian, Michigan 49221  
517.265.6194  
WWW.ADRIANSTEEL.COM

ALL DESIGNS AND DESIGN CONCEPTS ARE THE INTELLECTUAL PROPERTY OF ADRIAN STEEL COMPANY AND ARE NOT TO BE COPIED, DISTRIBUTED OR COMMUNICATED TO OUTSIDE PARTIES WITHOUT THE WRITTEN PERMISSION OF ADRIAN STEEL COMPANY. THE MATERIAL/CONCEPTS/DESIGNS CONTAINED WITHIN THIS DOCUMENT ARE FOR THE PURPOSE OF SUPPLYING PRODUCT TO POTENTIAL ADRIAN STEEL COMPANY CUSTOMERS.

Drawn By: **CR**

Date: **08/08/2025**

ECN No: **28499**

PDS No: **HVAC-PMHR159B**

Customer:

**HVAC STARTER PACKAGE**

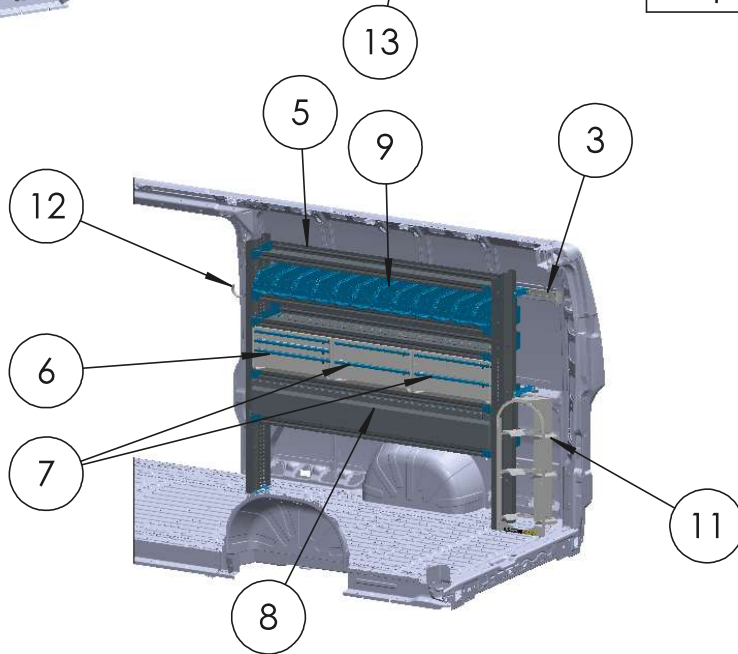
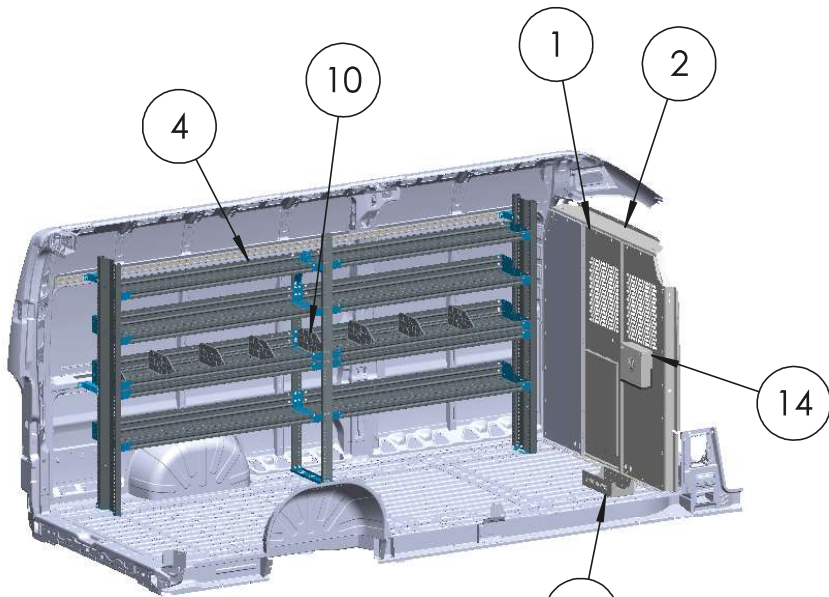
Vehicle

**PROMASTER 159HR**

Package Weight: **795.59**

Sheet: **1 of 1**

Rev.: **A**



ITEM NO.	PART NUMBER	DESCRIPTION	QTY.
1	S1M2C2PM	SMC PANEL KIT, PM	1
2	WKC1PM	WING KIT, PROMASTER, STD POS	1
3	ARKPMH159X	RAIL KIT, PM HR 159X	1
4	AS-2T14120PMHA	SF UNIT, 2T, 14X120, PMH, A, 5	1
5	AS-2T1472PMHA	SF UNIT, 2T, 14X72, PMH, A, 5	1
6	ADUK1424A3C-RI	DRAWER UNIT, 14X18, A, 3, C, R	1
7	ADUK1424A2T-RI	DRAWER UNIT, 14X18, A, 3, C, R	2
8	ADK1072A	DOOR KIT, 10X72, A	1
9	BIN614	BIN, 6W X 14D	12
10	DIVK148	SHELF DIVIDER KIT, 14D, 8	1
11	230150TR	TANK RACK, 2-30LB 50LB TANKS	1
12	UH50	HOOK 5"	2
13	VPH1	HVAC PUMP STORAGE KIT	1
14	GC1	HVAC GAUGE COVER KIT	1

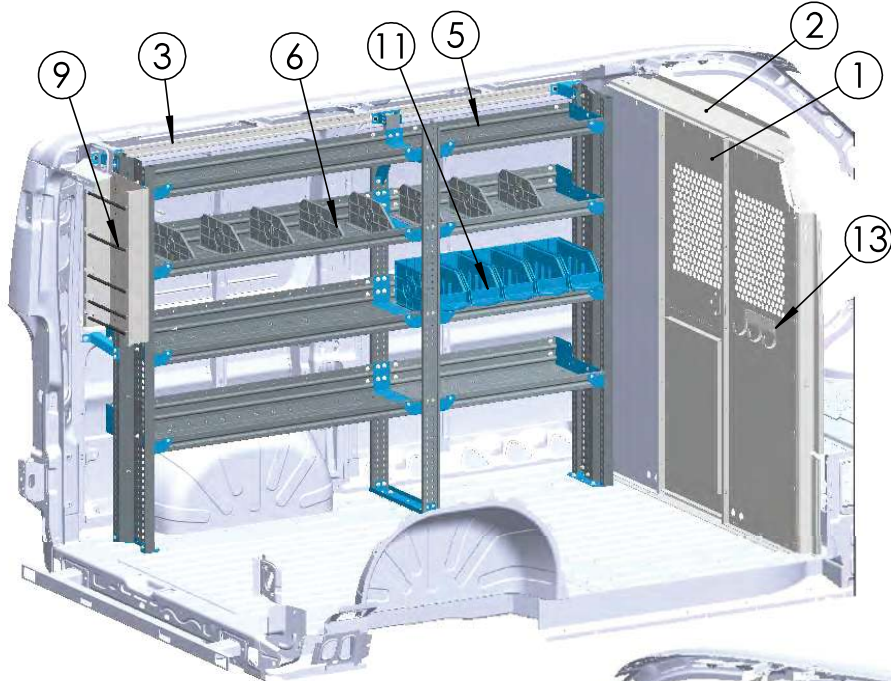
**CAUTION:** DRILL THRU FLOOR WITH CARE! WATCH FOR GAS TANK, CONTROL LINES, & ELECTRICAL WIRING.



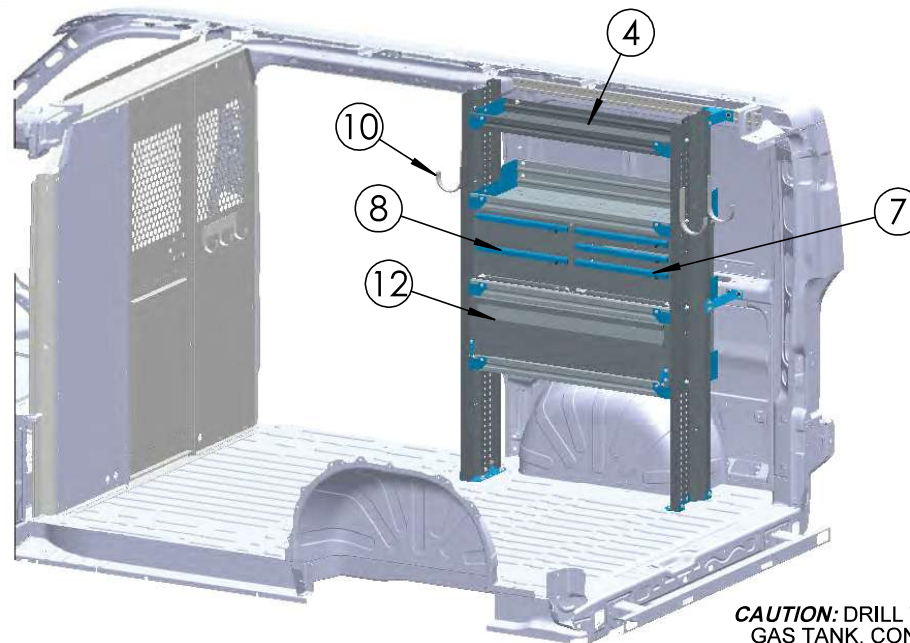
906 James Street  
Adrian, Michigan 49221  
517.265.6194  
WWW.ADRIANSTEEL.COM

ALL DESIGNS AND DESIGN CONCEPTS ARE THE INTELLECTUAL PROPERTY OF ADRIAN STEEL COMPANY AND ARE NOT TO BE COPIED, DISTRIBUTED OR COMMUNICATED TO OUTSIDE PARTIES WITHOUT THE WRITTEN PERMISSION OF ADRIAN STEEL COMPANY. THE MATERIAL/CONCEPTS/DESIGNS CONTAINED WITHIN THIS DOCUMENT ARE FOR THE PURPOSE OF SUPPLYING PRODUCT TO POTENTIAL ADRIAN STEEL COMPANY CUSTOMERS.

Drawn By:	<b>CR</b>	Customer:	<b>HVAC STARTER PACKAGE</b>		
Date:	<b>08/15/2025</b>	Vehicle:	<b>PROMASTER HR159X</b>		
ECN No:	<b>28499</b>	PDS No:	<b>HVAC-PMHR159XB</b>	Package Weight:	<b>863.94</b>
		Sheet:	<b>1 of 1</b>	Rev.:	<b>A</b>



ITEM NO.	PART NUMBER	DESCRIPTION	QTY.
1	S1M2C2PM	SMC PANEL KIT, PM	1
2	WKC1PM	WING KIT, PROMASTER, STD POS	1
3	ARKPML118	RAIL KIT, PM LR 118	1
4	AS-2T1436PMLA	SF UNIT, 2T, 14X36, PML, A, 4	1
5	AS-2T1478PMLA	SF UNIT, 2T, 14X78, PML, A, 4	1
6	DIVK148	SHELF DIVIDER KIT, 14D, 8	1
7	ADUK1418A3C-RI	DRAWER UNIT, 14X18, A, 3, C, R	1
8	ADUK1418A2T-RI	DRAWER UNIT, 14X18, A, 2, T, R	1
9	WRH5	SPOOL HOLDER 6" 5-BAR	1
10	UH50	HOOK 5"	4
11	BIN614	BIN, 6W X 14D	5
12	ADK1036A	DOOR KIT, 10X36, A	1
13	UHB3	UTILITY HOOK BAR, 3	1



**CAUTION:** DRILL THRU FLOOR WITH CARE! WATCH FOR GAS TANK, CONTROL LINES, & ELECTRICAL WIRING.



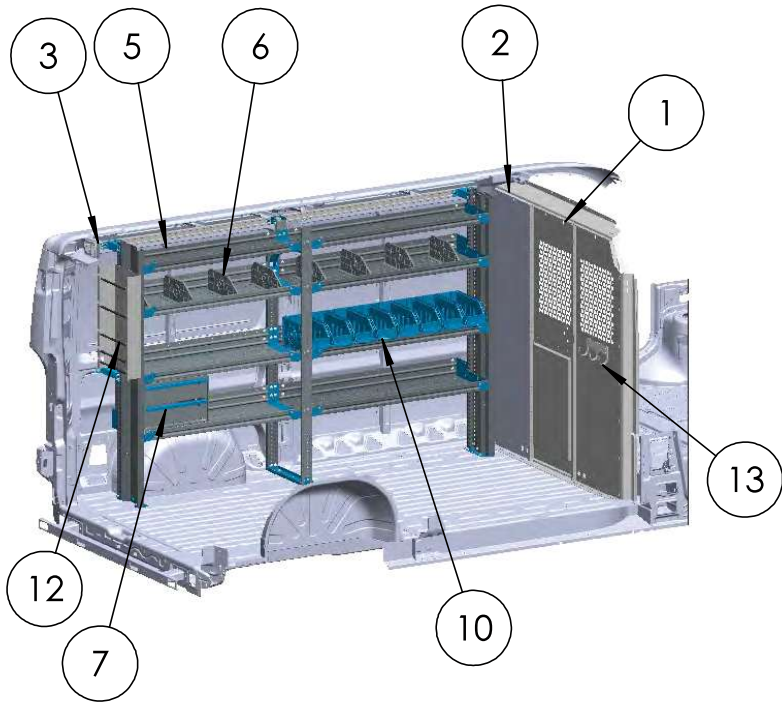
906 James Street  
Adrian, Michigan 49221  
517.265.6194  
WWW.ADRIANSTEEL.COM

ALL DESIGNS AND DESIGN CONCEPTS ARE THE INTELLECTUAL PROPERTY OF ADRIAN STEEL COMPANY AND ARE NOT TO BE COPIED, DISTRIBUTED OR COMMUNICATED TO OUTSIDE PARTIES WITHOUT THE WRITTEN PERMISSION OF ADRIAN STEEL COMPANY.  
THE MATERIAL/CONCEPTS/DESIGNS CONTAINED WITHIN THIS DOCUMENT ARE FOR THE PURPOSE OF SUPPLYING PRODUCT TO POTENTIAL ADRIAN STEEL COMPANY CUSTOMERS.

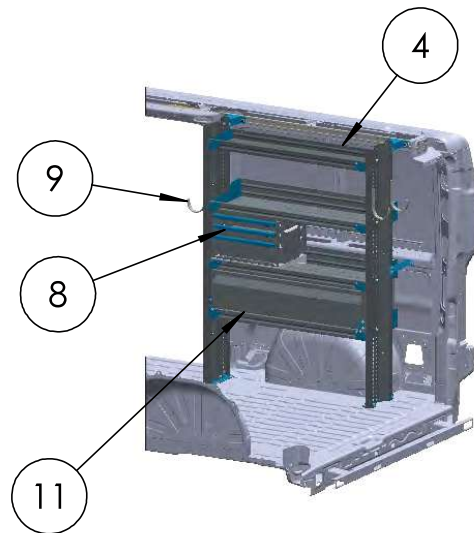
Drawn By: **CR**  
Date: **09/30/2025**  
ECN No: **28676**  
PDS No: **ELE-PMLR118B**

Customer: **ELECTRICAL STARTER PACKAGE**  
Vehicle: **PROMASTER 118LR**

Package Weight: **442.10**  
Sheet: **1 of 1**  
Rev.: **B**



ITEM NO.	PART NUMBER	DESCRIPTION	QTY.
1	S1M2C2PM	SMC PANEL KIT, PM	1
2	WKC1PM	WING KIT, PROMASTER, STD POS	1
3	ARKPM136	RAIL KIT, PM, 136	1
4	AS-2T1442PMLA	SF UNIT, 2T, 14X42, PML, A, 4	1
5	AS-2T1490PMLA	SF UNIT, 2T, 14X90, PML, A, 4	1
6	DIVK148	SHELF DIVIDER KIT, 14D, 8	1
7	ADUK1418A2T-RI	DRAWER UNIT, 14X18, A, 2, T, R	1
8	ADUK1418A3C-RI	DRAWER UNIT, 14X18, A, 3, C, R	1
9	UH50	HOOK 5"	4
10	BIN614	BIN, 6W X 14D	8
11	ADK1042A	DOOR KIT, 10X42, A	1
12	WRH5	WIRE REEL HOLDER	1
13	UHB3	UTILITY HOOK BAR, 3	1



**CAUTION:** DRILL THRU FLOOR WITH CARE! WATCH FOR GAS TANK, CONTROL LINES, & ELECTRICAL WIRING.



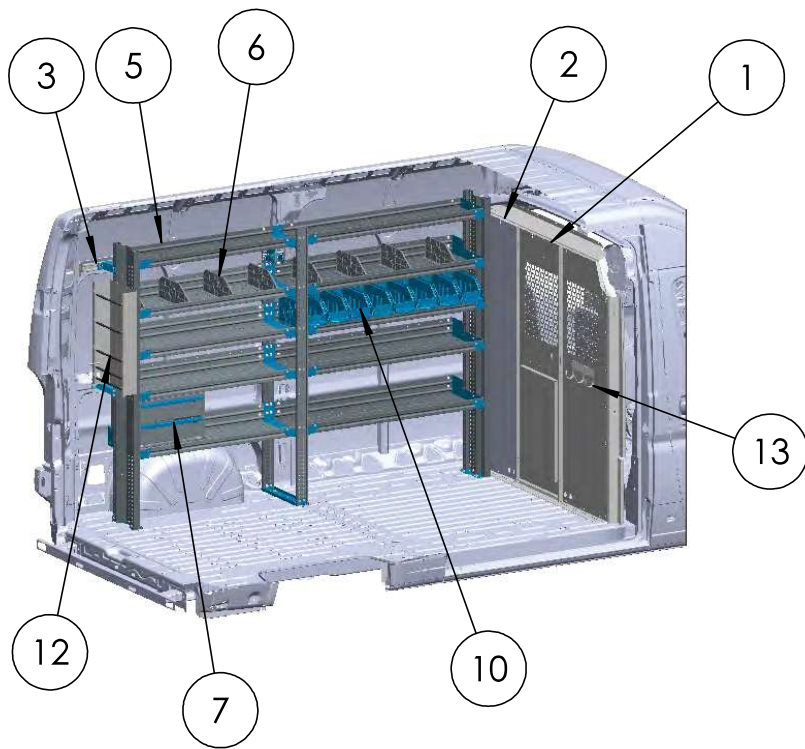
906 James Street  
Adrian, Michigan 49221  
517.265.6194  
WWW.ADRIANSTEEL.COM

ALL DESIGNS AND DESIGN CONCEPTS ARE THE INTELLECTUAL PROPERTY OF ADRIAN STEEL COMPANY AND ARE NOT TO BE COPIED, DISTRIBUTED OR COMMUNICATED TO OUTSIDE PARTIES WITHOUT THE WRITTEN PERMISSION OF ADRIAN STEEL COMPANY.  
THE MATERIAL/CONCEPTS/DESIGNS CONTAINED WITHIN THIS DOCUMENT ARE FOR THE PURPOSE OF SUPPLYING PRODUCT TO POTENTIAL ADRIAN STEEL COMPANY CUSTOMERS.

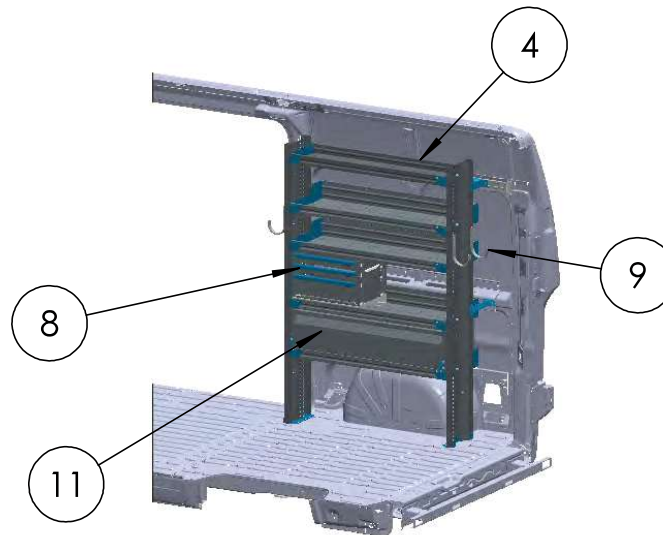
Drawn By: **CR**  
Date: **09/30/2025**  
ECN No: **28676**  
PDS No: **ELE-PMLR136B**

Customer: **ELECTRICAL STARTER PACKAGE**  
Vehicle: **PROMASTER 136LR**

Package Weight: **466.78**  
Sheet: **1 of 1**  
Rev.: **B**



ITEM NO.	PART NUMBER	DESCRIPTION	QTY.
1	S1M2C2PM	SMC PANEL KIT, PM	1
2	WKC1PM	WING KIT, PROMASTER, STD POS	1
3	ARKPM136	RAIL KIT, PM, 136	1
4	AS-2T1442PMHA	SF UNIT, 2T, 14X42, PMH, A, 5	1
5	AS-2T1490PMHA	SF UNIT, 2T, 14X90, PMH, A, 5	1
6	DIVK148	SHELF DIVIDER KIT, 14D, 8	1
7	ADUK1418A2T-RI	DRAWER UNIT, 14X18, A, 2, T, R	1
8	ADUK1418A3C-RI	DRAWER UNIT, 14X18, A, 3, C, R	1
9	UH50	HOOK 5"	4
10	BIN614	BIN, 6W X 14D	8
11	ADK1042A	DOOR KIT, 10X42, A	1
12	WRH5	WIRE REEL HOLDER	1
13	UHB3	UTILITY HOOK BAR, 3	1



**CAUTION:** DRILL THRU FLOOR WITH CARE! WATCH FOR GAS TANK, CONTROL LINES, & ELECTRICAL WIRING.



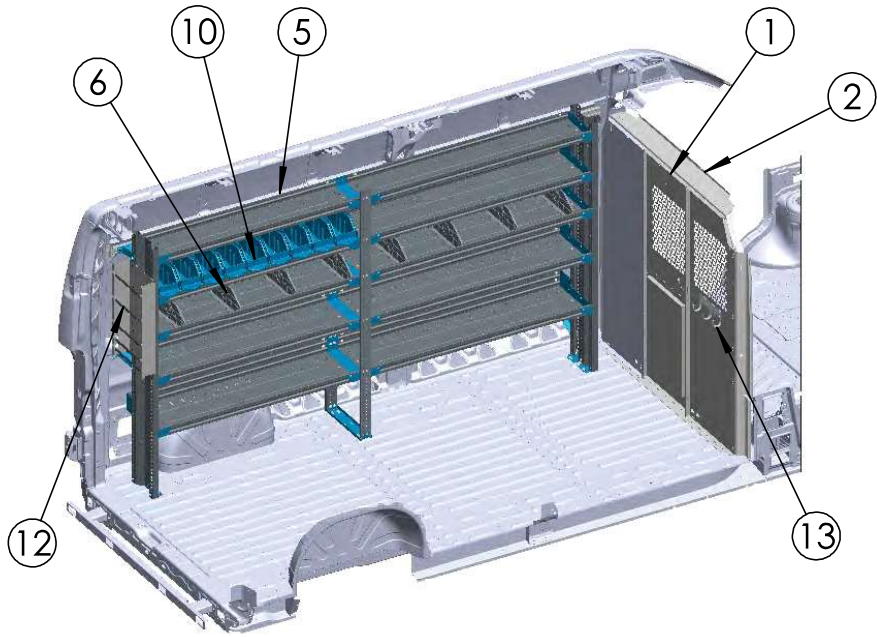
906 James Street  
Adrian, Michigan 49221  
517.265.6194  
WWW.ADRIANSTEEL.COM

ALL DESIGNS AND DESIGN CONCEPTS ARE THE INTELLECTUAL PROPERTY OF ADRIAN STEEL COMPANY AND ARE NOT TO BE COPIED, DISTRIBUTED OR COMMUNICATED TO OUTSIDE PARTIES WITHOUT THE WRITTEN PERMISSION OF ADRIAN STEEL COMPANY.  
THE MATERIAL/CONCEPTS/DESIGNS CONTAINED WITHIN THIS DOCUMENT ARE FOR THE PURPOSE OF SUPPLYING PRODUCT TO POTENTIAL ADRIAN STEEL COMPANY CUSTOMERS.

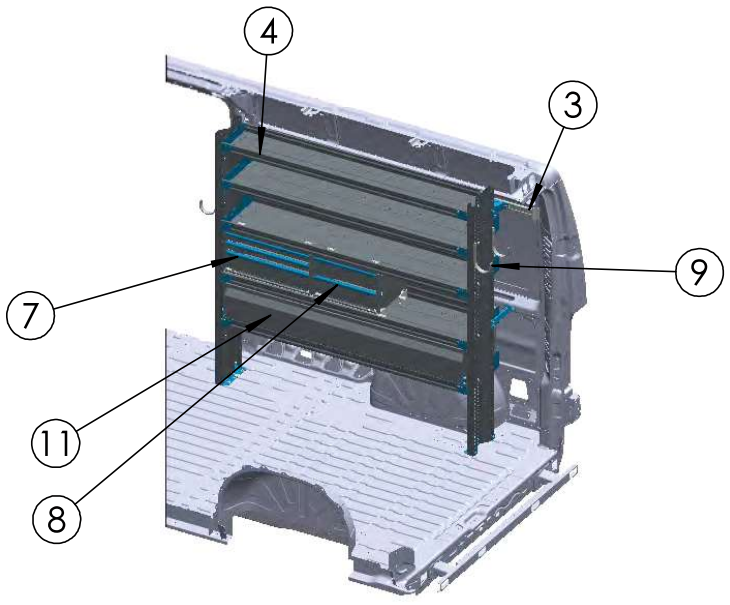
Drawn By: **CR**  
Date: **09/29/25**  
ECN No: **28676**  
PDS No: **ELE-PMHR136B**

Customer: **ELECTRICAL STARTER PACKAGE**  
Vehicle: **PROMASTER 136HR**

Package Weight: **511.59**  
Sheet: **1 of 1**  
Rev.: **B**



ITEM NO.	PART NUMBER	DESCRIPTION	QTY.
1	S1M2C2PM	SMC PANEL KIT, PM	1
2	WKC1PM.	WING KIT, PROMASTER, STD POS	1
3	ARKPMH159	RAIL KIT,PM HR 159	1
4	AS-2T1466PMHA	SF UNIT,2T,14X66,PMH,A,5	1
5	AS-2T14114PMHA	SF UNIT,2T,14X114,PMH,A,5	1
6	DIVK148	SHELF DIVIDER KIT,14D,8	1
7	ADUK1424A3C-RI	DRAWER UNIT,14X24,A,3,C,R	1
8	ADUK1418A2T-RI	DRAWER UNIT,14X18,A,2,T,R	1
9	UH50	HOOK 5"	4
10	BIN614	BIN, 6W X 14D	9
11	ADK1066A	DOOR KIT,10X66,A	1
12	WRH5	WIRE REEL HOLDER	1
13	UHB3	UTILITY HOOK BAR, 3	1

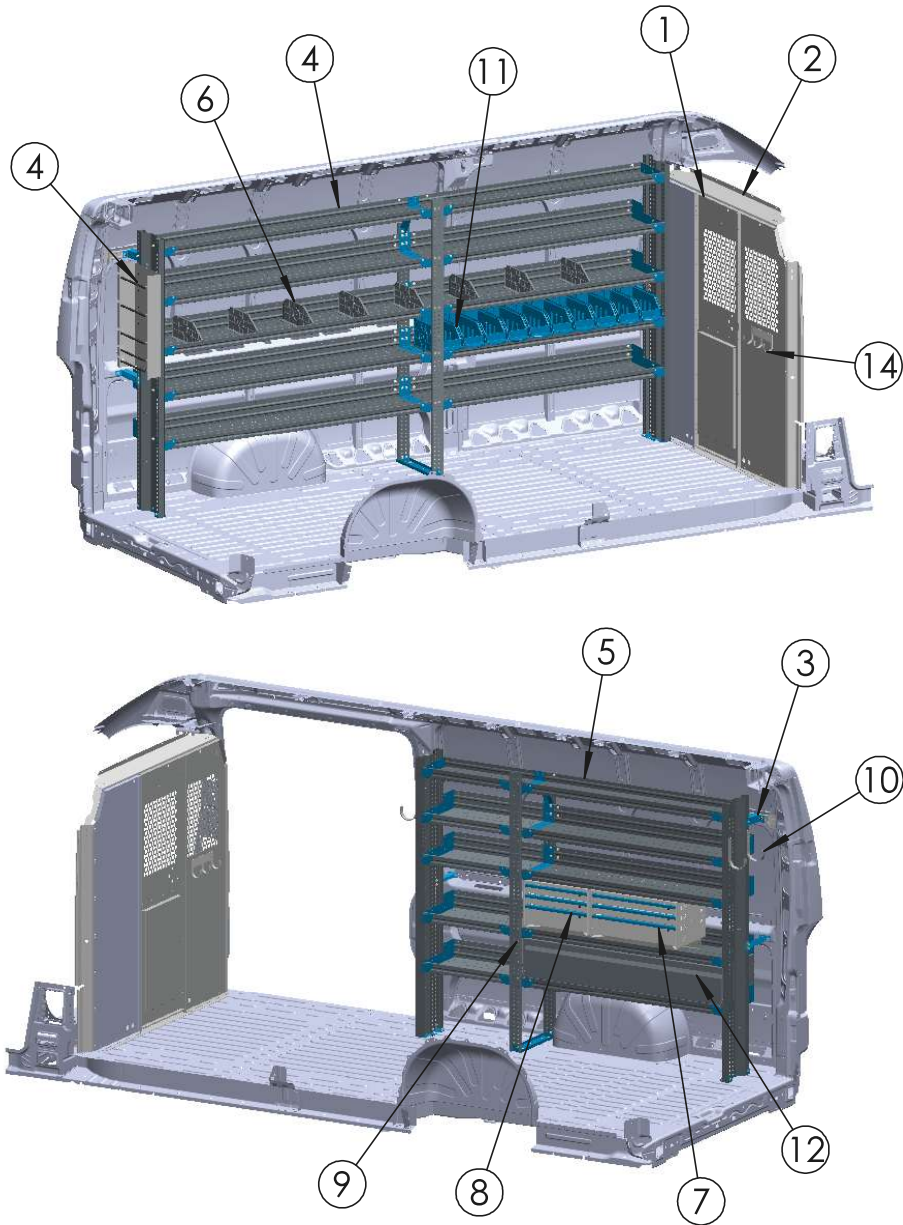


**CAUTION:** DRILL THRU FLOOR WITH CARE! WATCH FOR GAS TANK, CONTROL LINES, & ELECTRICAL WIRING.

**ADRIAN STEEL**  
 906 James Street  
 Adrian, Michigan 49221  
 517.265.6194  
 WWW.ADRIANSTEEL.COM

ALL DESIGNS AND DESIGN CONCEPTS ARE THE INTELLECTUAL PROPERTY OF ADRIAN STEEL COMPANY AND ARE NOT TO BE COPIED, DISTRIBUTED OR COMMUNICATED TO OUTSIDE PARTIES WITHOUT THE WRITTEN PERMISSION OF ADRIAN STEEL COMPANY.  
 THE MATERIAL/CONCEPTS/DESIGNS CONTAINED WITHIN THIS DOCUMENT ARE FOR THE PURPOSE OF SUPPLYING PRODUCT TO POTENTIAL ADRIAN STEEL COMPANY CUSTOMERS.

Drawn By:	<b>CR</b>	Customer:	<b>ELECTRICAL STARTER PACKAGE</b>		
Date:	<b>9/29/2025</b>	Vehicle:	<b>PROMASTER 159HR</b>		
ECN No:	<b>28676</b>	Package Weight:	<b>586.80</b>	Sheet:	<b>1 of 1</b>
PDS No:	<b>ELE-PMHR159B</b>	Rev.:	<b>B</b>		



ITEM NO.	PART NUMBER	DESCRIPTION	QTY.
1	S1M2C2PM	SMC PANEL KIT, PM	1
2	WKC1PM	WING KIT, PROMASTER, STD POS	1
3	ARKPMH159X	RAIL KIT,PM HR 159X	1
4	AS-2T14132PMHA	SF UNIT,2T,14X132,PMH,A,5	1
5	AS-2T1478PMHA	SF UNIT,2T,14X78,PMH,A,5	1
6	DIVK148	SHELF DIVIDER KIT,14D,8	1
7	ADUK1424A3C-RI	DRAWER UNIT,14X18,A,3,C,R	1
8	ADUK1418A3C-RI	DRAWER UNIT,14X18,A,3,C,R	1
9	ADKFP14A	DOUBLE SHELVE 14" FILLER PANEL,DOOR KIT	1
10	UH50	HOOK 5"	4
11	BIN614	BIN, 6W X 14D	10
12	ADK1054A	DOOR KIT,10X54,A	1
13	WRH5	WIRE REEL HOLDER	1
14	UHB3	UTILITY HOOK BAR, 3	1

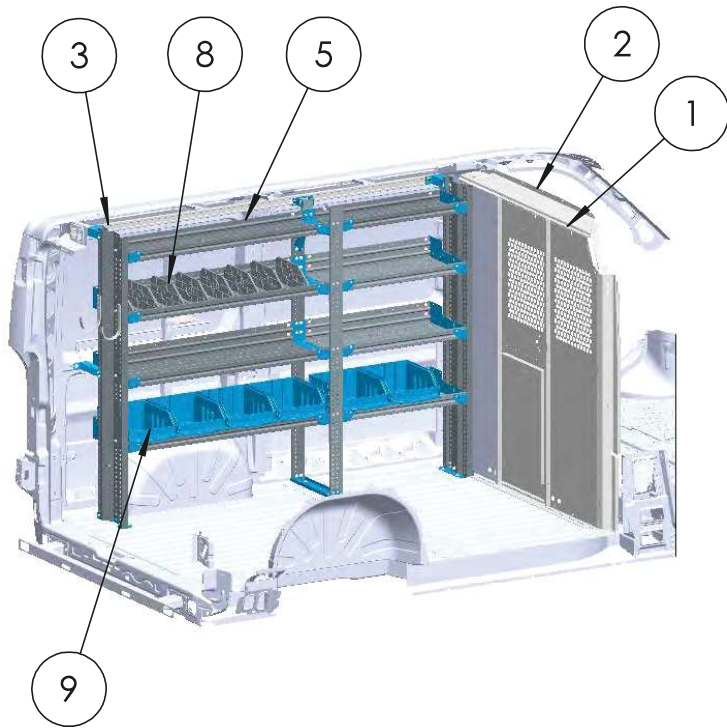
**CAUTION:** DRILL THRU FLOOR WITH CARE! WATCH FOR GAS TANK, CONTROL LINES, & ELECTRICAL WIRING.



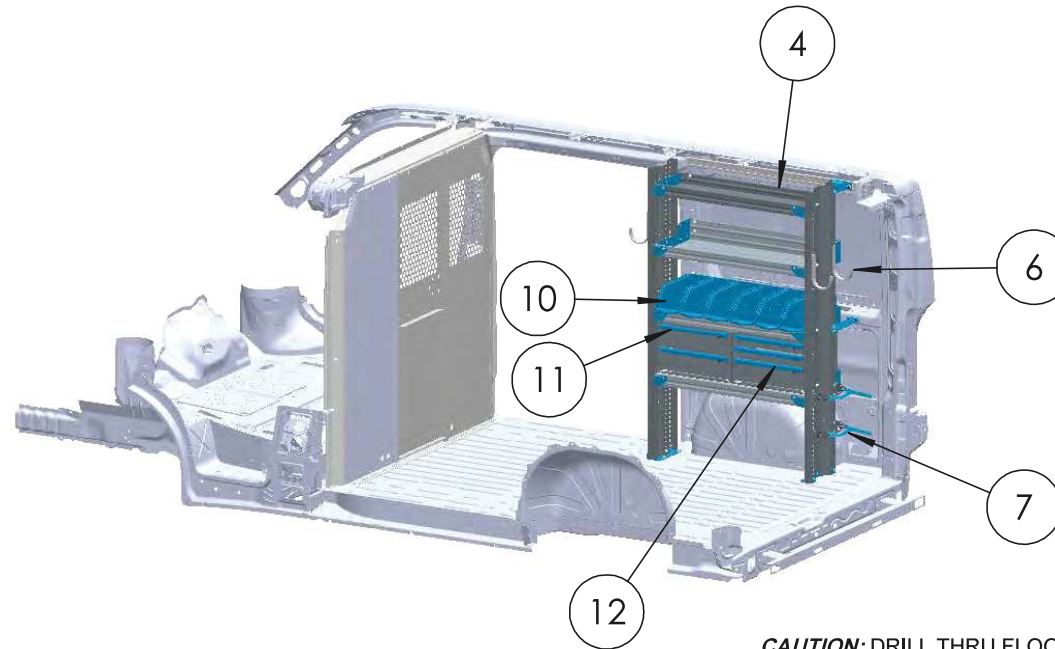
906 James Street  
Adrian, Michigan 49221  
517.265.6194  
WWW.ADRIANSTEEL.COM

ALL DESIGNS AND DESIGN CONCEPTS ARE THE INTELLECTUAL PROPERTY OF ADRIAN STEEL COMPANY AND ARE NOT TO BE COPIED, DISTRIBUTED OR COMMUNICATED TO OUTSIDE PARTIES WITHOUT THE WRITTEN PERMISSION OF ADRIAN STEEL COMPANY. THE MATERIAL/CONCEPTS/DESIGNS CONTAINED WITHIN THIS DOCUMENT ARE FOR THE PURPOSE OF SUPPLYING PRODUCT TO POTENTIAL ADRIAN STEEL COMPANY CUSTOMERS.

Drawn By:	<b>CR</b>	Customer:	<b>ELECTRICAL STARTER PACKAGE</b>		
Date:	<b>2-14-26</b>	Vehicle:	<b>PROMASTER HR159X</b>		
ECN No:	<b>29175</b>	Package Weight:	<b>654.42</b>	Sheet:	<b>1 of 1</b>
PDS No:	<b>ELE-PMHR159XB</b>	Rev.:	<b>C</b>		



ITEM NO.	PART NUMBER	DESCRIPTION	QTY.
1	S1M2C2PM	SMC PANEL KIT, PM	1
2	WKC1PM	WING KIT, PROMASTER, STD POS	1
3	ARKPML118	RAIL KIT, PM LR 118	1
4	AS-2T1436PMLA	SF UNIT, 2T, 14X36, PML, A, 4	1
5	AS-2T1478PMLA	SF UNIT, 2T, 14X78, PML, A, 4	1
6	UH50	HOOK 5"	6
7	1NTR	TANK HOLDER, NITROGEN	1
8	DIVK148	SHELF DIVIDER KIT, 14D, 8	1
9	BIN1214	BIN, 12W X 14D	6
10	BIN614	BIN, 6W X 14D	6
11	ADUK1418A2T-RI	DRAWER UNIT, 14X18, A, 2, T, R	1
12	ADUK1418A3C-RI	DRAWER UNIT, 14X18, A, 3, C, R	1



**CAUTION: DRILL THRU FLOOR WITH CARE! WATCH FOR GAS TANK, CONTROL LINES, & ELECTRICAL WIRING.**



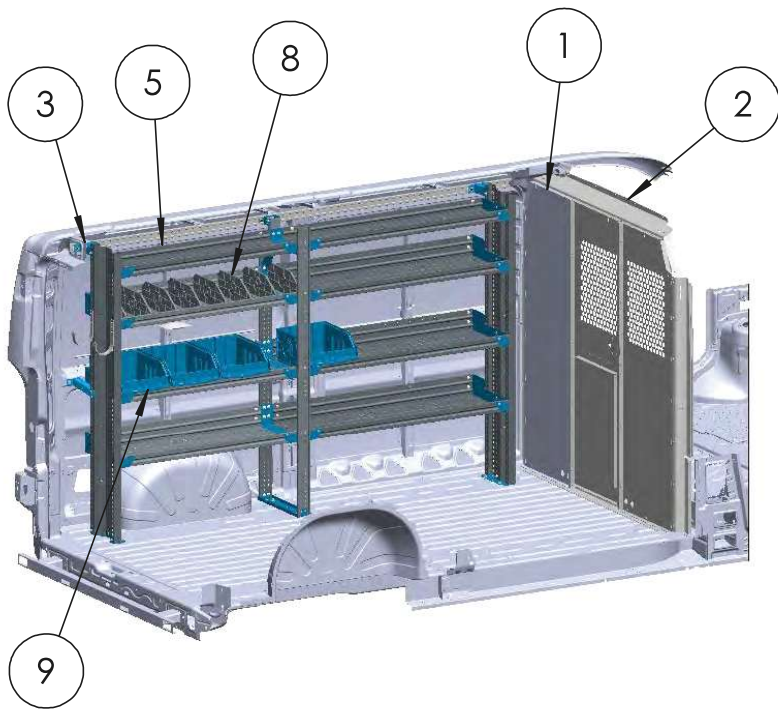
906 James Street  
Adrian, Michigan 49221  
517.265.6194  
WWW.ADRIANSTEEL.COM

ALL DESIGNS AND DESIGN CONCEPTS ARE THE INTELLECTUAL PROPERTY OF ADRIAN STEEL COMPANY AND ARE NOT TO BE COPIED, DISTRIBUTED OR COMMUNICATED TO OUTSIDE PARTIES WITHOUT THE WRITTEN PERMISSION OF ADRIAN STEEL COMPANY. THE MATERIAL/CONCEPTS/DESIGNS CONTAINED WITHIN THIS DOCUMENT ARE FOR THE PURPOSE OF SUPPLYING PRODUCT TO POTENTIAL ADRIAN STEEL COMPANY CUSTOMERS.

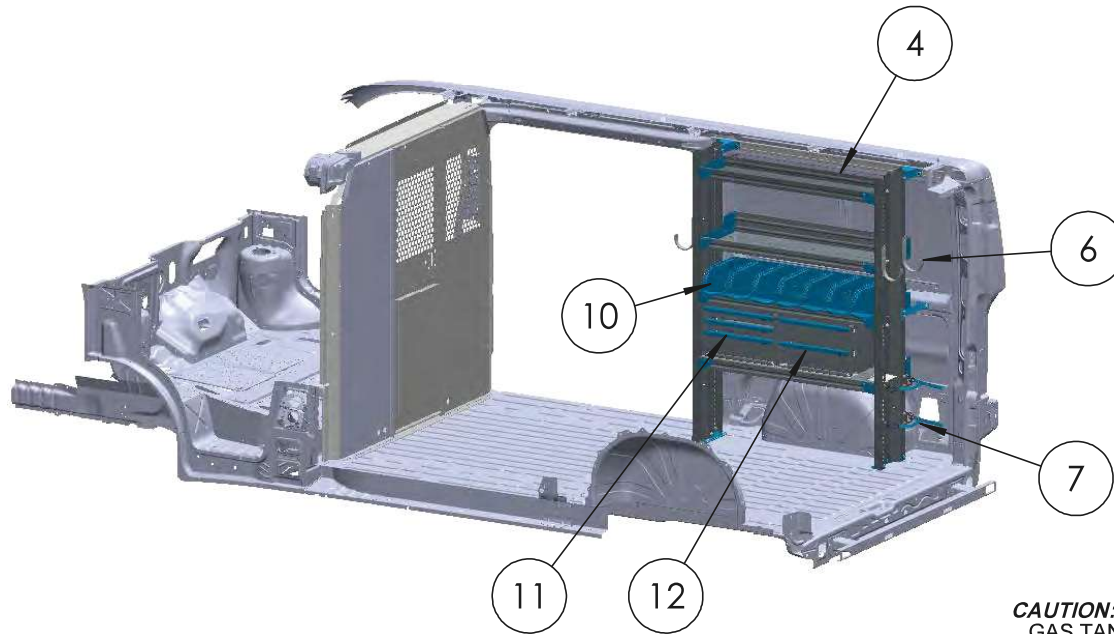
Drawn By: **CR**  
Date: **08/13/2025**  
ECN No: **28499**  
PDS No: **PLUM-PMLR118B**

Customer: **PLUMBING PACKAGE**  
Vehicle: **PROMASTER 118LR**

Package Weight: **392.55**  
Sheet: **1 of 1**  
Rev.: **A**



ITEM NO.	PART NUMBER	DESCRIPTION	QTY.
1	S1M2C2PM	SMC PANEL KIT, PM	1
2	WKC1PM	WING KIT, PROMASTER, STD POS	1
3	ARKPM136	RAIL KIT, PM, 136	1
4	AS-2T1442PMLA	SF UNIT, 2T, 14X42, PML, A, 4	1
5	AS-2T1490PMLA	SF UNIT, 2T, 14X90, PML, A, 4	1
6	UH50	HOOK 5"	6
7	1NTR	TANK HOLDER, NITROGEN	1
8	DIVK148	SHELF DIVIDER KIT, 14D, 8	1
9	BIN1214	BIN, 12W X 14D	4
10	BIN614	BIN, 6W X 14D	7
11	ADUK1418A3C-RI	DRAWER UNIT, 14X18, A, 3, C, R	1
12	ADUK1418A2T-RI	DRAWER UNIT, 14X18, A, 2, T, R	1



**CAUTION:** DRILL THRU FLOOR WITH CARE! WATCH FOR GAS TANK, CONTROL LINES, & ELECTRICAL WIRING.



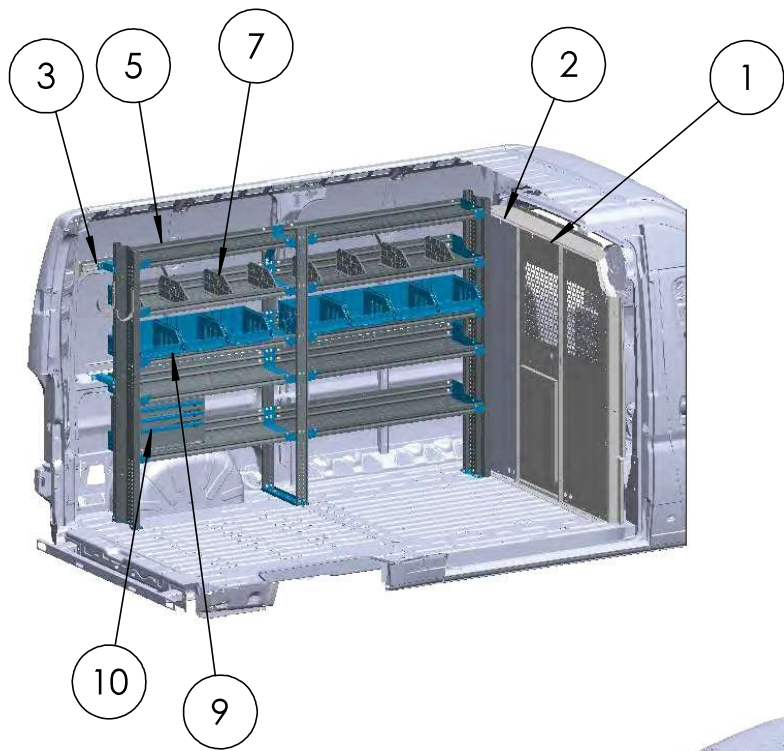
906 James Street  
Adrian, Michigan 49221  
517.265.6194  
WWW.ADRIANSTEEL.COM

ALL DESIGNS AND DESIGN CONCEPTS ARE THE INTELLECTUAL PROPERTY OF ADRIAN STEEL COMPANY AND ARE NOT TO BE COPIED, DISTRIBUTED OR COMMUNICATED TO OUTSIDE PARTIES WITHOUT THE WRITTEN PERMISSION OF ADRIAN STEEL COMPANY. THE MATERIAL/CONCEPTS/DESIGNS CONTAINED WITHIN THIS DOCUMENT ARE FOR THE PURPOSE OF SUPPLYING PRODUCT TO POTENTIAL ADRIAN STEEL COMPANY CUSTOMERS.

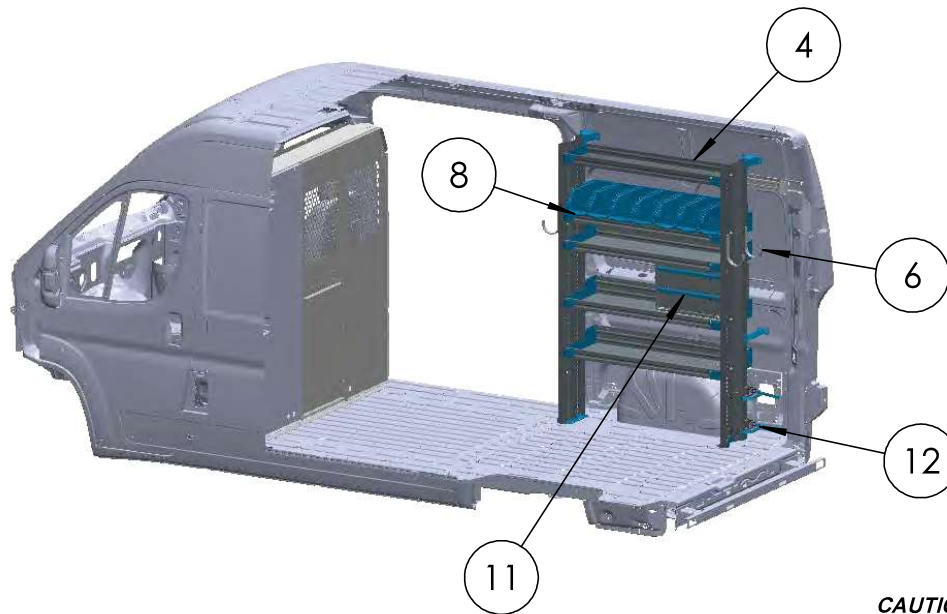
Drawn By: **CR**  
Date: **08/13/2025**  
ECN No: **28499**  
PDS No: **PLUM-PMLR136B**

Customer: **PLUMBING PACKAGE**  
Vehicle: **PROMASTER 136LR**

Package Weight: **449.83**  
Sheet: **1 of 1**  
Rev.: **A**



ITEM NO.	PART NUMBER	DESCRIPTION	QTY.
1	S1M2C2PM	SMC PANEL KIT, PM	1
2	WKC1PM	WING KIT, PROMASTER, STD POS	1
3	ARKPM136	RAIL KIT, PM, 136	1
4	AS-2T1442PMHA	SF UNIT, 2T, 14X42, PMH, A, 5	1
5	AS-2T1490PMHA	SF UNIT, 2T, 14X90, PMH, A, 5	1
6	UH50	HOOK 5"	6
7	DIVK148	SHELF DIVIDER KIT, 14D, 8	1
8	BIN614	BIN, 6W X 14D	7
9	BIN1214	BIN, 12W X 14D	7
10	ADUK1418A3C-RI	DRAWER UNIT, 14X18, A, 3, C, R	1
11	ADUK1418A2T-RI	DRAWER UNIT, 14X18, A, 2, T, R	1
12	1NTR	TANK HOLDER, NITROGEN	1



**CAUTION:** DRILL THRU FLOOR WITH CARE! WATCH FOR GAS TANK, CONTROL LINES, & ELECTRICAL WIRING.

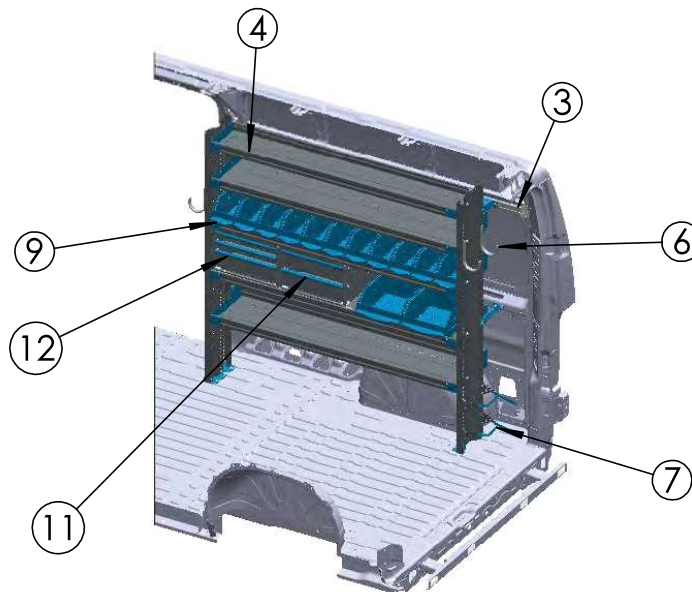
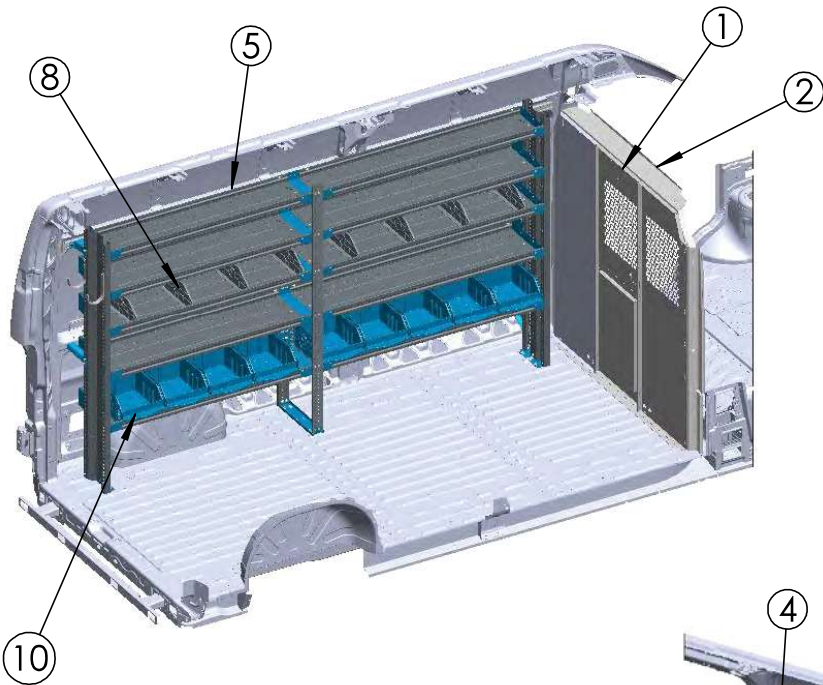


906 James Street  
Adrian, Michigan 49221  
517.265.6194  
WWW.ADRIANSTEEL.COM

ALL DESIGNS AND DESIGN CONCEPTS ARE THE INTELLECTUAL PROPERTY OF ADRIAN STEEL COMPANY AND ARE NOT TO BE COPIED, DISTRIBUTED OR COMMUNICATED TO OUTSIDE PARTIES WITHOUT THE WRITTEN PERMISSION OF ADRIAN STEEL COMPANY.  
THE MATERIAL/CONCEPTS/DESIGNS CONTAINED WITHIN THIS DOCUMENT ARE FOR THE PURPOSE OF SUPPLYING PRODUCT TO POTENTIAL ADRIAN STEEL COMPANY CUSTOMERS.

Drawn By: **CR**  
Date: **08/12/2025**  
ECN No: **28499**  
PDS No: **PLUM-PMHR136B**

Customer: **PLUMBING PACKAGE**  
Vehicle: **PROMASTER 136HR**  
Package Weight: **451.03**  
Sheet: **1 of 1**  
Rev.: **A**



ITEM NO.	PART NUMBER	DESCRIPTION	QTY.
1	S1M2C2PM	SMC PANEL KIT, PM	1
2	WKC1PM.	WING KIT, PROMASTER, STD POS	1
3	ARKPMH159	RAIL KIT,PM HR 159	1
4	AS-2T1466PMHA	SF UNIT,2T,14X66,PMH,A,5	1
5	AS-2T14114PMHA	SF UNIT,2T,14X114,PMH,A,5	1
6	UH50	HOOK 5"	6
7	1NTR	TANK HOLDER, NITROGEN	1
8	DIVK148	SHELF DIVIDER KIT,14D,8	1
9	BIN614	BIN, 6W X 14D	11
10	BIN1214	BIN, 12W X 14D	11
11	ADUK1418A2T-RI	DRAWER UNIT,14X18,A,2,T,R	1
12	ADUK1418A3C-RI	DRAWER UNIT,14X18,A,3,C,R	1

**CAUTION:** DRILL THRU FLOOR WITH CARE! WATCH FOR GAS TANK, CONTROL LINES, & ELECTRICAL WIRING.

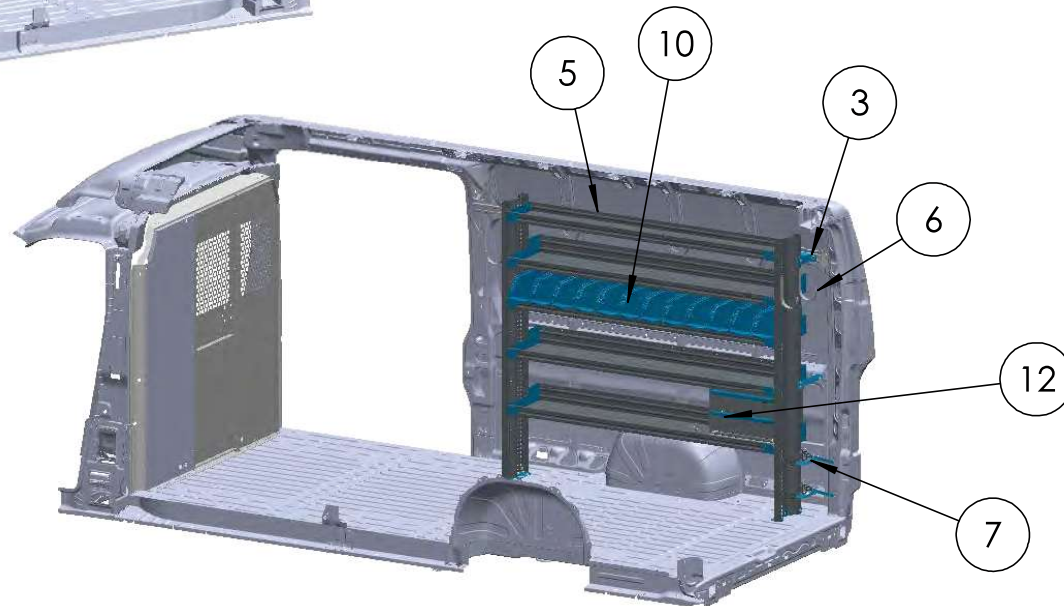
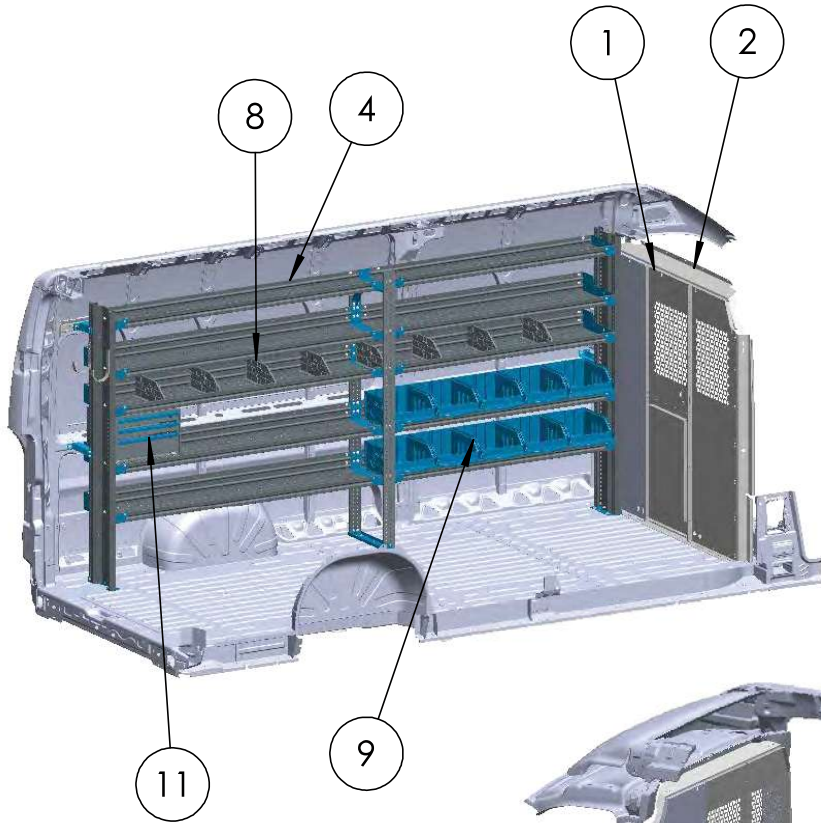


906 James Street  
Adrian, Michigan 49221  
517.265.6194  
WWW.ADRIANSTEEL.COM

ALL DESIGNS AND DESIGN CONCEPTS ARE THE INTELLECTUAL PROPERTY OF ADRIAN STEEL COMPANY AND ARE NOT TO BE COPIED, DISTRIBUTED OR COMMUNICATED TO OUTSIDE PARTIES WITHOUT THE WRITTEN PERMISSION OF ADRIAN STEEL COMPANY.  
THE MATERIAL/CONCEPTS/DESIGNS CONTAINED WITHIN THIS DOCUMENT ARE FOR THE PURPOSE OF SUPPLYING PRODUCT TO POTENTIAL ADRIAN STEEL COMPANY CUSTOMERS.

Drawn By: **CR**  
Date: **08/08/2025**  
ECN No: **28499**  
PDS No: **PLUM-PMHR159B**

Customer: **PLUMBING PACKAGE**  
Vehicle: **PROMASTER 159HR**  
Package Weight: **570.96**  
Sheet: **1 of 1**  
Rev.: **A**



ITEM NO.	PART NUMBER	DESCRIPTION	QTY.
1	S1M2C2PM	SMC PANEL KIT, PM	1
2	WKC1PM	WING KIT, PROMASTER, STD POS	1
3	ARKPMH159X	RAIL KIT, PM HR 159X	1
4	AS-2T14132PMHA	SF UNIT, 2T, 14X132, PMH, A, 5	1
5	AS-2T1472PMHA	SF UNIT, 2T, 14X72, PMH, A, 5	1
6	UH50	HOOK 5"	6
7	1NTR	TANK HOLDER, NITROGEN	1
8	DIVK148	SHELF DIVIDER KIT, 14D, 8	1
9	BIN1214	BIN, 12W X 14D	10
10	BIN614	BIN, 6W X 14D	12
11	ADUK1418A3C-RI	DRAWER UNIT, 14X18, A, 3, C, R	1
12	ADUK1418A2T-RI	DRAWER UNIT, 14X18, A, 2, T, R	1

**CAUTION:** DRILL THRU FLOOR WITH CARE! WATCH FOR GAS TANK, CONTROL LINES, & ELECTRICAL WIRING.



906 James Street  
Adrian, Michigan 49221  
517.265.6194  
WWW.ADRIANSTEEL.COM

ALL DESIGNS AND DESIGN CONCEPTS ARE THE INTELLECTUAL PROPERTY OF ADRIAN STEEL COMPANY AND ARE NOT TO BE COPIED, DISTRIBUTED OR COMMUNICATED TO OUTSIDE PARTIES WITHOUT THE WRITTEN PERMISSION OF ADRIAN STEEL COMPANY. THE MATERIAL/CONCEPTS/DESIGNS CONTAINED WITHIN THIS DOCUMENT ARE FOR THE PURPOSE OF SUPPLYING PRODUCT TO POTENTIAL ADRIAN STEEL COMPANY CUSTOMERS.

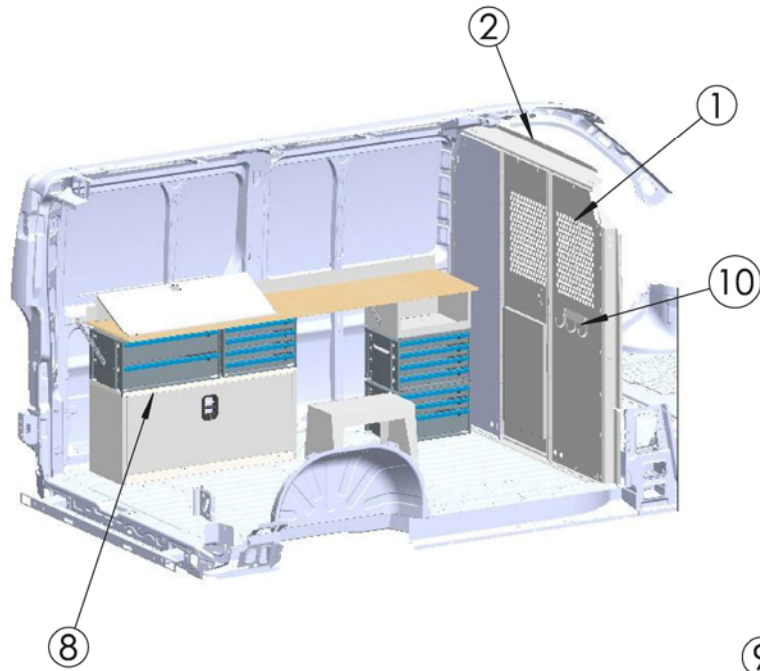
Drawn By: **CR**  
Date: **08/15/2025**  
ECN No: **28499**  
PDS No: **PLUM-PMHR159XB**

Customer: **PLUMBING PACKAGE**  
Vehicle: **PROMASTER HR159X**

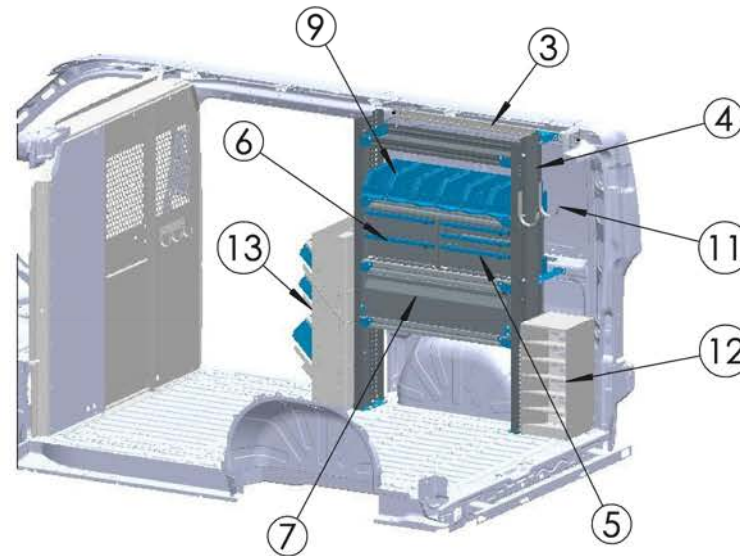
Package Weight: **584.47**

Sheet: **1 of 1**

Rev.: **A**



ITEM NO.	PART NUMBER	DESCRIPTION	QTY.
1	S1M2C2PM	SMC PANEL KIT, PM	1
2	WKC1PM	WING KIT, PROMASTER, STD POS	1
3	ARKPM118PS	RAIL KIT, PM 118, PS	1
4	AS-2T1436PMLA	SF UNIT, 2T, 14X36, PML, A, 4	1
5	ADUK1418A3C-RI	DRAWER UNIT, 14X18, A, 3, C, R	1
6	ADUK1418A2T-RI	DRAWER UNIT, 14X18, A, 2, T, R	1
7	ADK1036A	DOOR KIT, 10X36, A	1
8	AWB1-18X84PM	WORKBENCH MODULE, 18X32X84PM	1
9	BIN614	BIN, 6W X 14D	6
10	UHB3	UTILITY HOOK BAR, 3	1
11	UH50	HOOK 5"	2
12	17A	CATALOG FILE 6 SHELF	1
13	CH-EP	CASE HOLDER, T-SATCHELS	1



**CAUTION:** DRILL THRU FLOOR WITH CARE! WATCH FOR GAS TANK, CONTROL LINES, & ELECTRICAL WIRING.



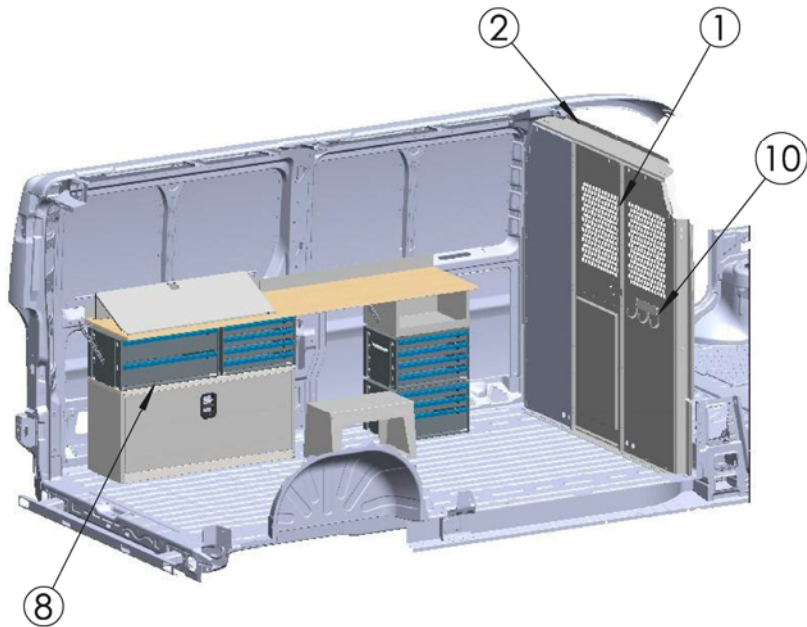
906 James Street  
 Adrian, Michigan 49221  
 517.265.6194  
 WWW.ADRIANSTEEL.COM

ALL DESIGNS AND DESIGN CONCEPTS ARE THE INTELLECTUAL PROPERTY OF ADRIAN STEEL COMPANY AND ARE NOT TO BE COPIED, DISTRIBUTED OR COMMUNICATED TO OUTSIDE PARTIES WITHOUT THE WRITTEN PERMISSION OF ADRIAN STEEL COMPANY. THE MATERIAL/CONCEPTS/DESIGNS CONTAINED WITHIN THIS DOCUMENT ARE FOR THE PURPOSE OF SUPPLYING PRODUCT TO POTENTIAL ADRIAN STEEL COMPANY CUSTOMERS.

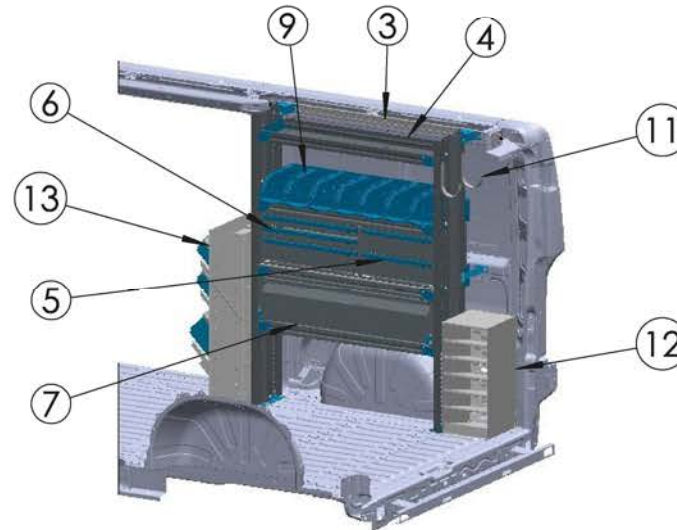
Drawn By: **W. COLLINS**  
 Date: **10/27/2025**  
 ECN No: **28721**  
 PDS No: **LOCK-PMLR118**

Customer: **LOCKSMITH PACKAGE**  
 Vehicle: **PROMASTER 118LR**

Package Weight: **569.68**  
 Sheet: **1 of 1**  
 Rev.: **A**



ITEM NO.	PART NUMBER	DESCRIPTION	QTY.
1	S1M2C2PM	SMC PANEL KIT, PM	1
2	WKC1PM	WING KIT, PROMASTER, STD POS	1
3	ARKPM136PS	RAIL KIT, PM, 136, PS	1
4	AS-2T1442PMLA	SF UNIT, 2T, 14X42, PML, A, 4	1
5	ADUK1418A2T-RI	DRAWER UNIT, 14X18, A, 2, T, R	1
6	ADUK1424A3C-RI	DRAWER UNIT, 14X24, A, 3, C, R	1
7	ADK1042A	DOOR KIT, 10X42, A	1
8	AWB1-18X84PM	WORKBENCH MODULE, 18X32X84PM	1
9	BIN614	BIN, 6W X 14D	7
10	UHB3	UTILITY HOOK BAR, 3	1
11	UH50	HOOK 5"	2
12	17A	CATALOG FILE 6 SHELF	1
13	CH-EP	CASE HOLDER, T-SATCHELS	1



**CAUTION:** DRILL THRU FLOOR WITH CARE! WATCH FOR GAS TANK, CONTROL LINES, & ELECTRICAL WIRING.



906 James Street  
Adrian, Michigan 49221  
517.265.6194  
WWW.ADRIANSTEEL.COM

ALL DESIGNS AND DESIGN CONCEPTS ARE THE INTELLECTUAL PROPERTY OF ADRIAN STEEL COMPANY AND ARE NOT TO BE COPIED, DISTRIBUTED OR COMMUNICATED TO OUTSIDE PARTIES WITHOUT THE WRITTEN PERMISSION OF ADRIAN STEEL COMPANY.  
THE MATERIAL/CONCEPTS/DESIGNS CONTAINED WITHIN THIS DOCUMENT ARE FOR THE PURPOSE OF SUPPLYING PRODUCT TO POTENTIAL ADRIAN STEEL COMPANY CUSTOMERS.

Drawn By: **W. COLLINS**  
Date: **10/27/2025**  
ECN No: **28721**  
PDS No: **LOCK-PMLR136**

Customer:

**LOCKSMITH  
PACKAGE**

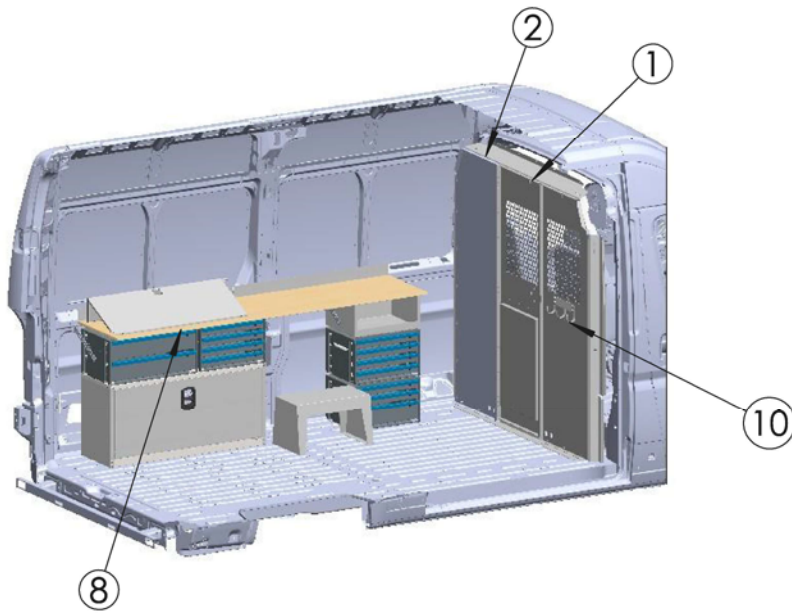
Vehicle

**PROMASTER 136LR**

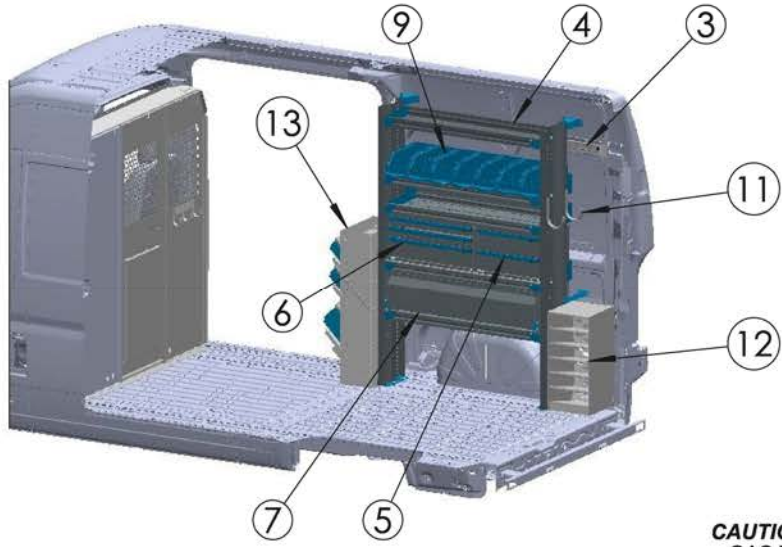
Package Weight:  
**587.61**

Sheet:  
**1 of 1**

Rev.: **A**



ITEM NO.	PART NUMBER	DESCRIPTION	QTY.
1	S1M2C2PM	SMC PANEL KIT, PM	1
2	WKC1PM	WING KIT, PROMASTER, STD POS	1
3	ARKPM136PS	RAIL KIT, PM, 136, PS	1
4	AS-2T1442PMHA	SF UNIT, 2T, 14X42, PMH, A, 5	1
5	ADUK1418A2T-RI	DRAWER UNIT, 14X18, A, 2, T, R	1
6	ADUK1424A3C-RI	DRAWER UNIT, 14X24, A, 3, C, R	1
7	ADK1042A	DOOR KIT, 10X42, A	1
8	AWB1-18X84PM	WORKBENCH MODULE, 18X32X84PM	1
9	BIN614	BIN, 6W X 14D	7
10	UHB3	UTILITY HOOK BAR, 3	1
11	UH50	HOOK 5"	2
12	17A	CATALOG FILE 6 SHELF	1
13	CH-EP	CASE HOLDER, T-SATCHELS	1



**CAUTION:** DRILL THRU FLOOR WITH CARE! WATCH FOR GAS TANK, CONTROL LINES, & ELECTRICAL WIRING.

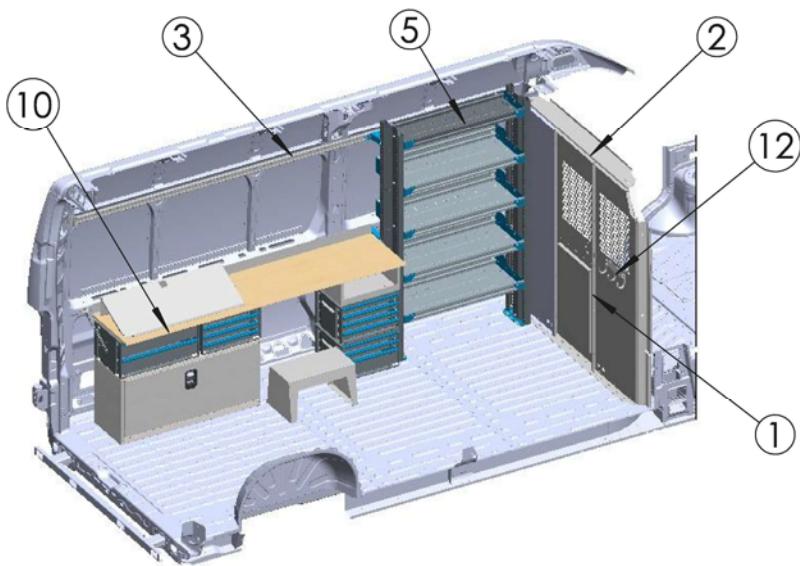
**ADRIAN STEEL**  
 Group Management Solutions for Commercial Vehicles

906 James Street  
 Adrian, Michigan 49221  
 517.265.6194  
 WWW.ADRIANSTEEL.COM

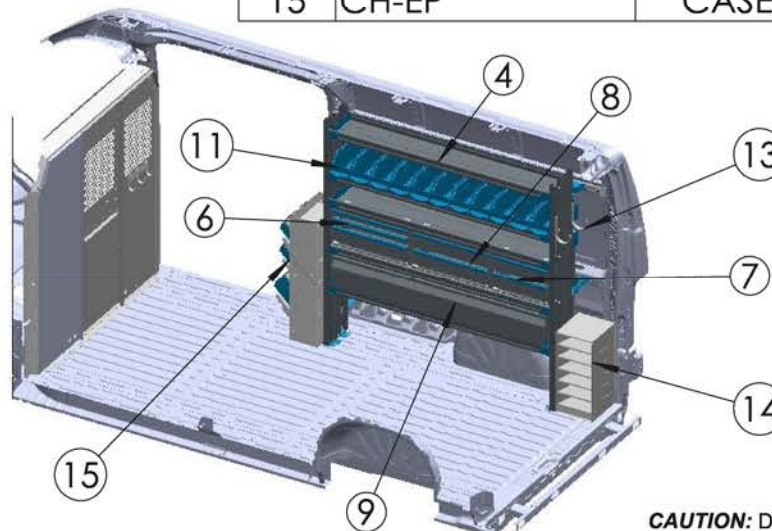
ALL DESIGNS AND DESIGN CONCEPTS ARE THE INTELLECTUAL PROPERTY OF ADRIAN STEEL COMPANY AND ARE NOT TO BE COPIED, DISTRIBUTED OR COMMUNICATED TO OUTSIDE PARTIES WITHOUT THE WRITTEN PERMISSION OF ADRIAN STEEL COMPANY.

THE MATERIAL/CONCEPTS/DESIGNS CONTAINED WITHIN THIS DOCUMENT ARE FOR THE PURPOSE OF SUPPLYING PRODUCT TO POTENTIAL ADRIAN STEEL COMPANY CUSTOMERS.

Drawn By: <b>W. COLLINS</b>	Customer: <b>LOCKSMITH PACKAGE</b>
Date: <b>10/27/2025</b>	
ECN No: <b>28721</b>	Vehicle <b>PROMASTER 136HR</b>
PDS No: <b>LOCK-PMHR136</b>	Package Weight: <b>602.45</b>
	Sheet: <b>1 of 1</b>
	Rev.: <b>A</b>



**NOTE: INSTALL AWB1-18X84PM OFF-CENTER OF THE WHEEL WELL TOWARDS THE REAR OF THE VEHICLE.**



**CAUTION: DRILL THRU FLOOR WITH CARE! WATCH FOR GAS TANK, CONTROL LINES, & ELECTRICAL WIRING.**

ITEM NO.	PART NUMBER	DESCRIPTION	QTY.
1	S1M2C2PM	SMC PANEL KIT, PM	1
2	WKC1PM	WING KIT, PROMASTER, STD POS	1
3	ARKPMH159	RAIL KIT,PM HR 159	1
4	AS-2T1466PMHA	SF UNIT,2T,14X66,PMH,A,5	1
5	AS-2T1436PMHA	SF UNIT,2T,14X36,PMH,A,5	1
6	ADUK1424A3C-RI	DRAWER UNIT,14X24,A,3,C,R	1
7	ADUK1418A2T-RI	DRAWER UNIT,14X18,A,2,T,R	1
8	ADUK1424A2T-RI	DRAWER UNIT,14X24,A,2,T,R	1
9	ADK1066A	DOOR KIT,10X66, A	1
10	AWB1-18X84PM	WORKBENCH MODULE, 18X32X84PM	1
11	BIN614	BIN, 6W X 14D	11
12	UHB3	UTILITY HOOK BAR, 3	1
13	UH50	HOOK 5"	2
14	17A	CATALOG FILE 6 SHELF	1
15	CH-EP	CASE HOLDER, T-SATCHELS	1



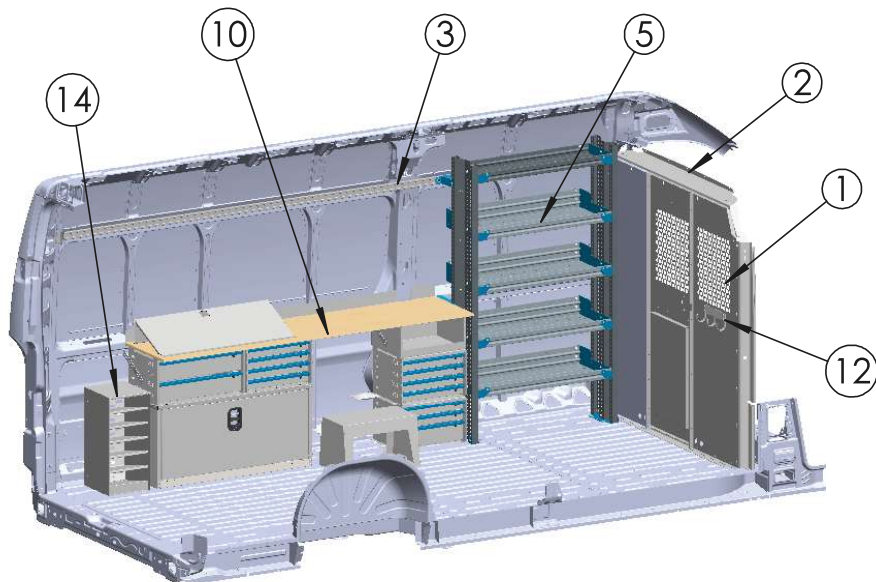
906 James Street  
Adrian, Michigan 49221  
517.265.6194  
WWW.ADRIANSTEEL.COM

ALL DESIGNS AND DESIGN CONCEPTS ARE THE INTELLECTUAL PROPERTY OF ADRIAN STEEL COMPANY AND ARE NOT TO BE COPIED, DISTRIBUTED OR COMMUNICATED TO OUTSIDE PARTIES WITHOUT THE WRITTEN PERMISSION OF ADRIAN STEEL COMPANY. THE MATERIAL/CONCEPTS/DESIGNS CONTAINED WITHIN THIS DOCUMENT ARE FOR THE PURPOSE OF SUPPLYING PRODUCT TO POTENTIAL ADRIAN STEEL COMPANY CUSTOMERS.

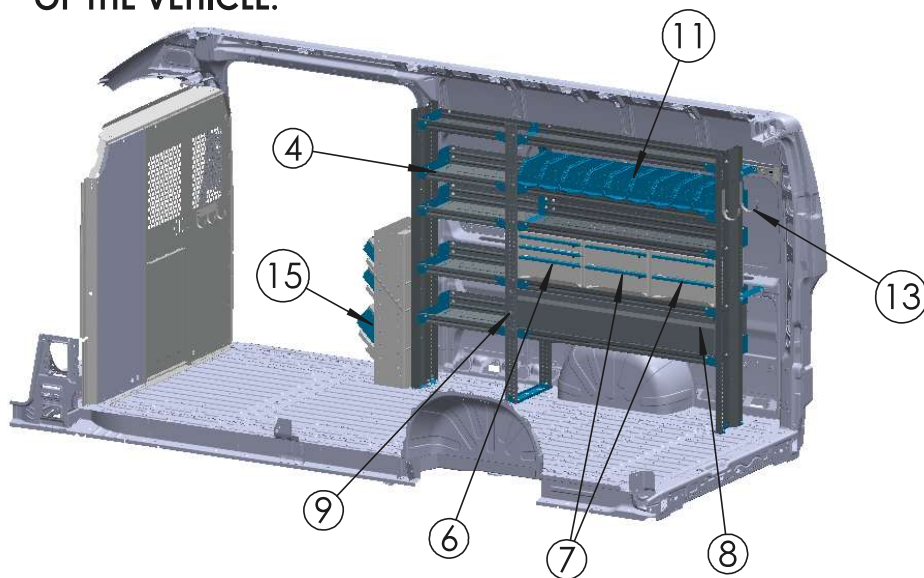
Drawn By: **W. COLLINS**  
Date: **10/27/2025**  
ECN No: **28721**  
PDS No: **LOCK-PMHR159**

Customer: **LOCKSMITH PACKAGE**  
Vehicle: **PROMASTER 159HR**

Package Weight: **776.79**  
Sheet: **1 of 1**  
Rev.: **A**



**NOTE: INSTALL AWB1-18X84PM OFF-CENTER OF THE WHEEL WELL TOWARDS THE REAR OF THE VEHICLE.**



ITEM NO.	PART NUMBER	DESCRIPTION	QTY.
1	S1M2C2PM	SMC PANEL KIT, PM	1
2	WKC1PM	WING KIT, PROMASTER, STD POS	1
3	ARKPMH159X	RAIL KIT, PM HR 159X	1
4	AS-2T1478PMHA	SF UNIT, 2T, 14X78, PMH, A, 5	1
5	AS-2T1436PMHA	SF UNIT, 2T, 14X36, PMH, A, 5	1
6	ADUK1418A3C-RI	DRAWER UNIT, 14X18, A, 3, C, R	1
7	ADUK1418A2T-RI	DRAWER UNIT, 14X18, A, 3, C, R	2
8	ADK1054A	DOOR KIT, 10X54, A	1
9	ADKFP14A	DOUBLE SHELVE 14" FILLER PANEL, DOOR KIT	1
10	AWB1-18X84PM	WORKBENCH MODULE, 18X32X84PM	1
11	BIN614	BIN, 6W X 14D	9
12	UHB3	UTILITY HOOK BAR, 3	1
13	UH50	HOOK 5"	2
14	17A	CATALOG FILE 6 SHELF	1
15	CH-EP	CASE HOLDER, T-SATCHELS	1

**CAUTION: DRILL THRU FLOOR WITH CARE! WATCH FOR GAS TANK, CONTROL LINES, & ELECTRICAL WIRING.**



906 James Street  
Adrian, Michigan 49221  
517.265.6194  
WWW.ADRIANSTEEL.COM

ALL DESIGNS AND DESIGN CONCEPTS ARE THE INTELLECTUAL PROPERTY OF ADRIAN STEEL COMPANY AND ARE NOT TO BE COPIED, DISTRIBUTED OR COMMUNICATED TO OUTSIDE PARTIES WITHOUT THE WRITTEN PERMISSION OF ADRIAN STEEL COMPANY. THE MATERIAL/CONCEPTS/DESIGNS CONTAINED WITHIN THIS DOCUMENT ARE FOR THE PURPOSE OF SUPPLYING PRODUCT TO POTENTIAL ADRIAN STEEL COMPANY CUSTOMERS.

Drawn By: **W. COLLINS**

Date: **2-15-26**

ECN No: **29175**

PDS No: **LOCK-PMHR159X**

Customer:

**LOCKSMITH  
PACKAGE**

Vehicle

**PROMASTER HR159X**

Package Weight: **800.44**

Sheet: **1 of 1**

Rev.: **B**



**ADRIAN**

**VANPRODUCTS**  
**COMMERCIAL UP-FIT**