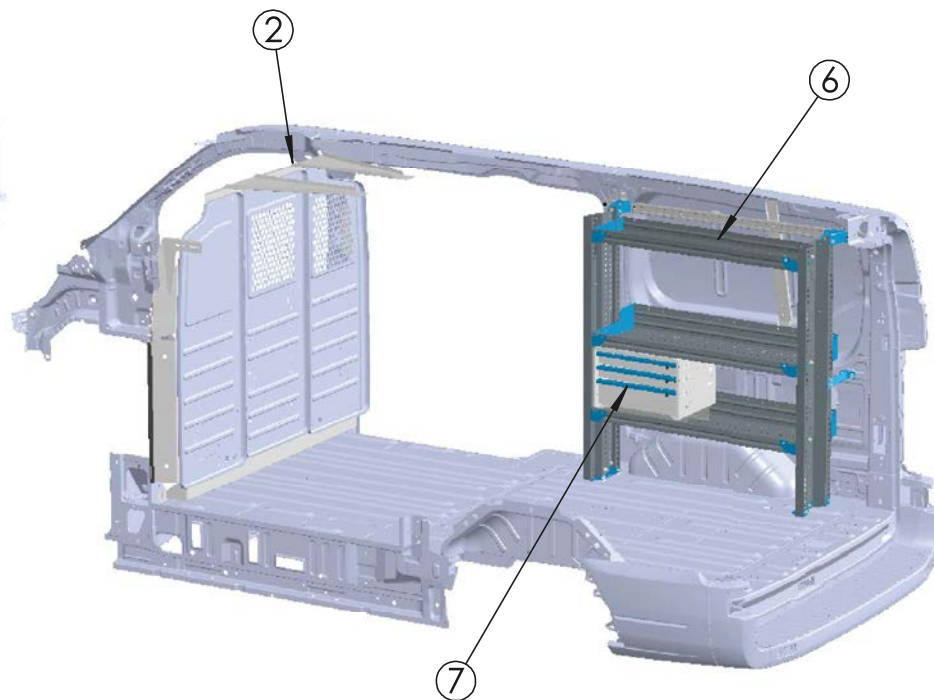
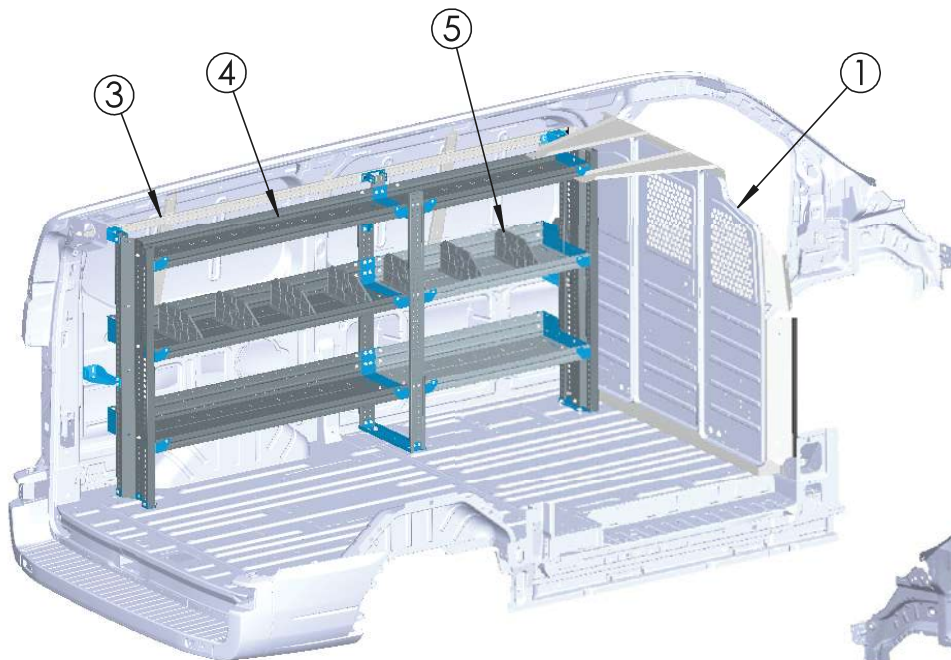


FORD TRANSIT
FORD ESSENTIAL PACKAGES



ITEM NO.	PART NUMBER	DESCRIPTION	QTY.
1	S1M2C2FSV	S1-M2-C2 PARTITION	1
2	WKC1TSOP-G	PAR INSTALL KIT, FT, LR	1
3	ARKFTL130	RAIL KIT,FD TR LR 130	1
4	AS-2T1490FTLA	SF UNIT,2T,14X90,FTL,A,3	1
5	DIVK148	SHELF DIVIDER KIT,14D,8	1
6	AS-2T1442FTLA	SF UNIT,2T,14X42,FTL,A,3	1
7	ADUK1418A3C-RI	DRAWER UNIT,14X18,A,3,C,R	1



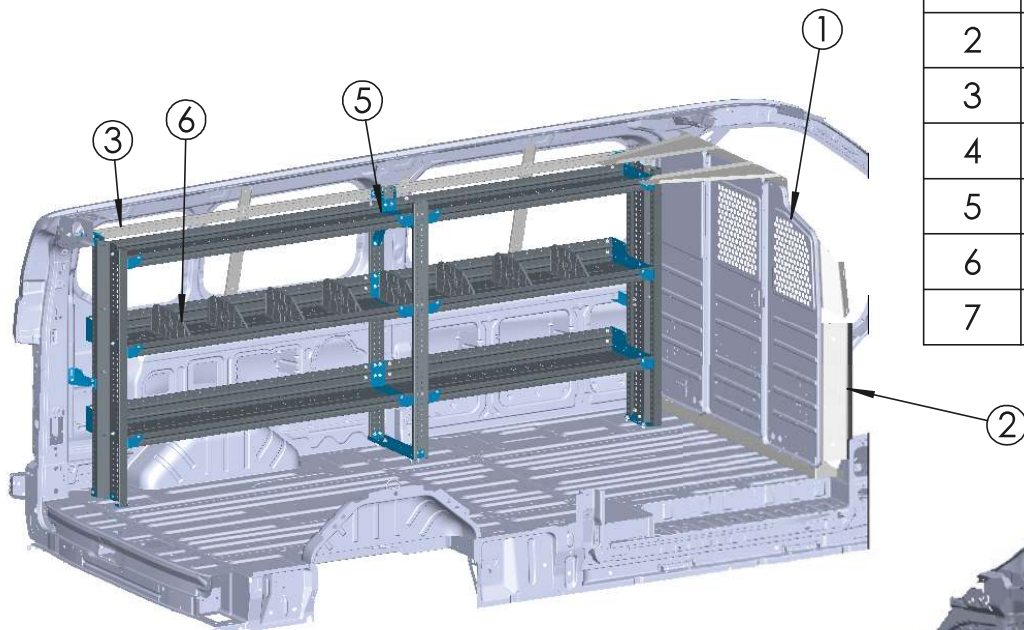
CAUTION: DRILL THRU FLOOR WITH CARE! WATCH FOR GAS TANK, CONTROL LINES, & ELECTRICAL WIRING.



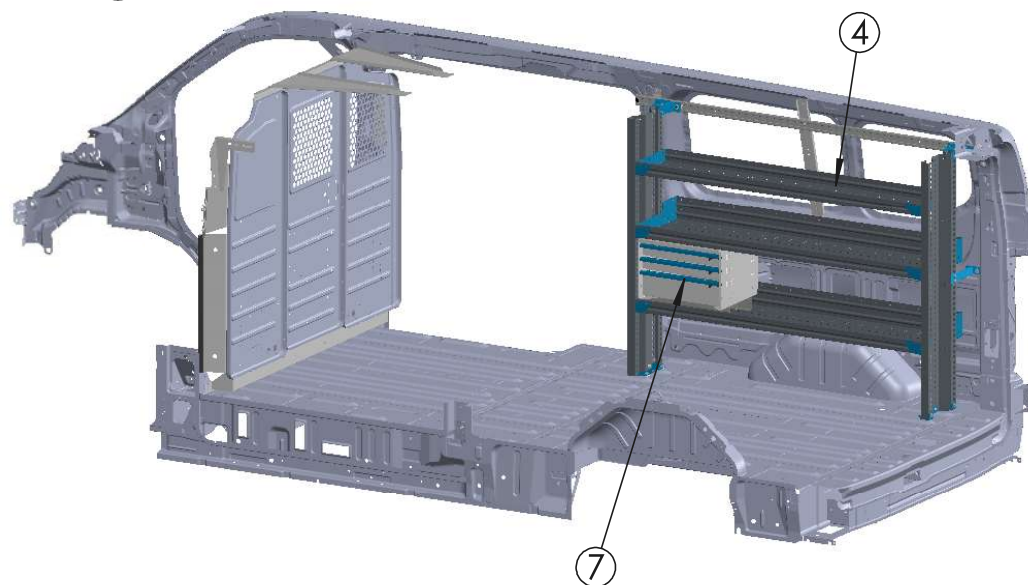
906 James Street
Adrian, Michigan 49221
517.265.6194
WWW.ADRIANSTEEL.COM

ALL DESIGNS AND DESIGN CONCEPTS ARE THE INTELLECTUAL PROPERTY OF ADRIAN STEEL COMPANY AND ARE NOT TO BE COPIED, DISTRIBUTED OR COMMUNICATED TO OUTSIDE PARTIES WITHOUT THE WRITTEN PERMISSION OF ADRIAN STEEL COMPANY.
THE MATERIAL/CONCEPTS/DESIGNS CONTAINED WITHIN THIS DOCUMENT ARE FOR THE PURPOSE OF SUPPLYING PRODUCT TO POTENTIAL ADRIAN STEEL COMPANY CUSTOMERS.

Drawn By:	GDR	Customer:	BIN PACKAGE	
Date:	12-16-2025	Vehicle:	TRANSIT 130"WB LR	
ECN No:	28974	Package Weight:	305.01	Sheet: 1 of 1
PDS No:	BIN-FTLR130B	Rev.:	B	



ITEM NO.	PART NUMBER	DESCRIPTION	QTY.
1	S1M2C2FSV	S1-M2-C2 PARTITION	1
2	WKC1TSOP-G	PAR INSTALL KIT, FT, LR	1
3	ARKFTL148	RAIL KIT, FD TR LR 148	1
4	AS-2T1460FTLA	SF UNIT,2T,14X60,FTL,A,3	1
5	AS-2T14108FTLA	SF UNIT,2T,14X108,FTL,A,3	1
6	DIVK148	SHELF DIVIDER KIT,14D,8	1
7	ADUK1418A3C-RI	DRAWER UNIT,14X18,A,3,C,R	1



CAUTION: DRILL THRU FLOOR WITH CARE! WATCH FOR GAS TANK, CONTROL LINES, & ELECTRICAL WIRING.



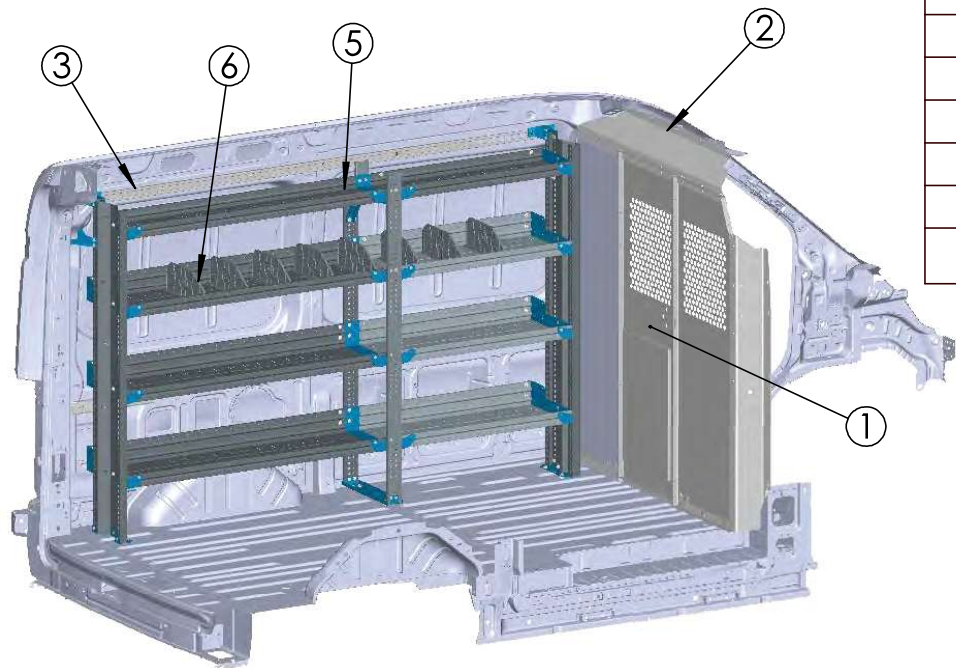
906 James Street
Adrian, Michigan 49221
517.265.6194
WWW.ADRIANSTEEL.COM

ALL DESIGNS AND DESIGN CONCEPTS ARE THE INTELLECTUAL PROPERTY OF ADRIAN STEEL COMPANY AND ARE NOT TO BE COPIED, DISTRIBUTED OR COMMUNICATED TO OUTSIDE PARTIES WITHOUT THE WRITTEN PERMISSION OF ADRIAN STEEL COMPANY.
THE MATERIAL/CONCEPTS/DESIGNS CONTAINED WITHIN THIS DOCUMENT ARE FOR THE PURPOSE OF SUPPLYING PRODUCT TO POTENTIAL ADRIAN STEEL COMPANY CUSTOMERS.

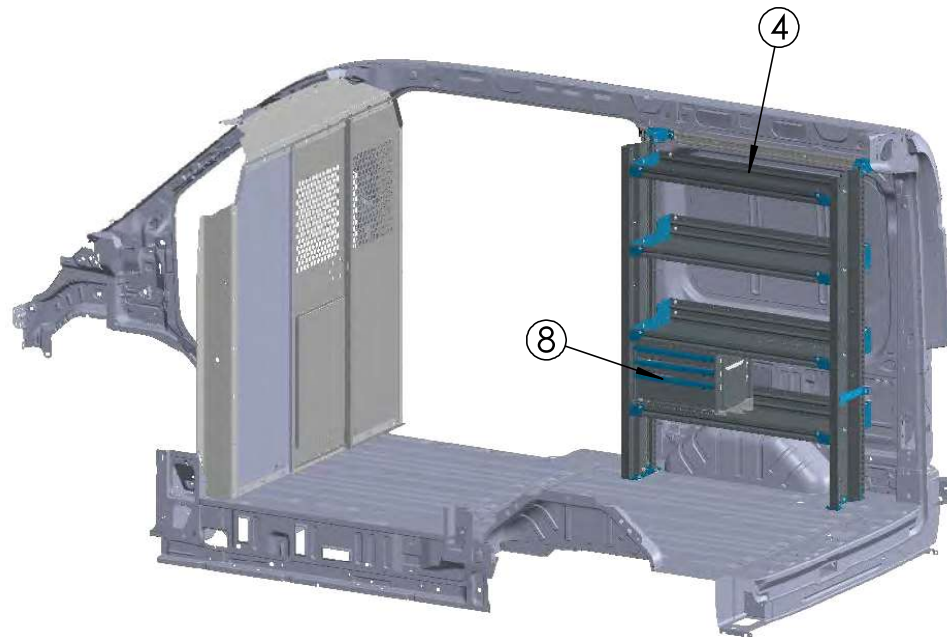
Drawn By: **GDR**
Date: **12-16-2025**
ECN No: **28974**
PDS No: **BIN-FTLR148B**

Customer: **BIN PACKAGE**
Vehicle: **TRANSIT 148" WB LR**

Package Weight: **331.24** Sheet: **1 of 1** Rev.: **B**



ITEM NO.	PART NUMBER	DESCRIPTION	QTY.
1	S1M2C2PM	SMC PANEL KIT, PM	1
2	WKC1FDTM2	WING KIT, FDTM, ICE/EV	1
3	ARKFTM130	RAIL KIT, FD MR 130	1
4	AS-2T1442FTMA	SF UNIT, 2T, 14X42, FTM, A, 4	1
5	AS-2T1490FTMA	SF UNIT, 2T, 14X90, FTM, A, 4	1
6	DIVK148	SHELF DIVIDER KIT, 14D, 8	1
8	ADUK1418A3C-RI	DRAWER UNIT, 14X18, A, 3, C, R	1



CAUTION: DRILL THRU FLOOR WITH CARE! WATCH FOR GAS TANK, CONTROL LINES, & ELECTRICAL WIRING.



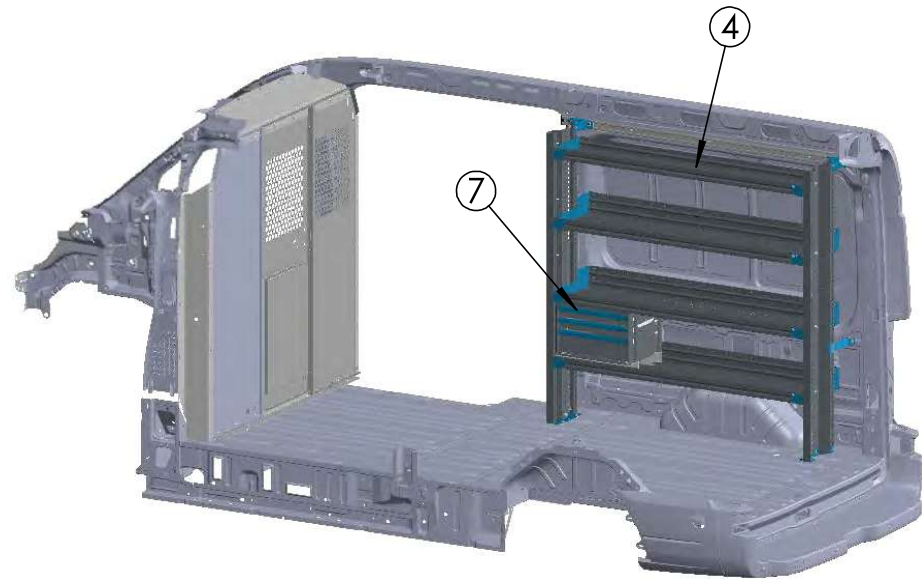
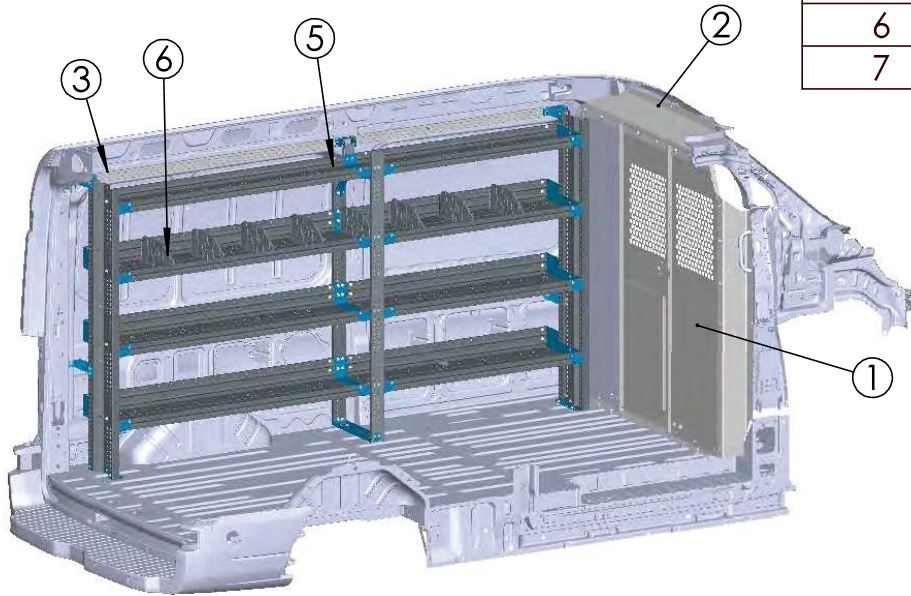
906 James Street
Adrian, Michigan 49221
517.265.6194
WWW.ADRIANSTEEL.COM

ALL DESIGNS AND DESIGN CONCEPTS ARE THE INTELLECTUAL PROPERTY OF ADRIAN STEEL COMPANY AND ARE NOT TO BE COPIED, DISTRIBUTED OR COMMUNICATED TO OUTSIDE PARTIES WITHOUT THE WRITTEN PERMISSION OF ADRIAN STEEL COMPANY. THE MATERIAL/CONCEPTS/DESIGNS CONTAINED WITHIN THIS DOCUMENT ARE FOR THE PURPOSE OF SUPPLYING PRODUCT TO POTENTIAL ADRIAN STEEL COMPANY CUSTOMERS.

Drawn By: **GDR**
Date: **07/29/2025**
ECN No: **28499**
PDS No: **BIN-FTMR130B**

Customer: **BIN PACKAGE**
Vehicle: **TRANSIT 130" WB MR**
Package Weight: **385.03**
Sheet: **1 of 1**
Rev.: **A**

ITEM NO.	PART NUMBER	DESCRIPTION	QTY.
1	S1M2C2PM	WING KIT, TRANSIT FS, MR, STD POS	1
2	WKC1FDTM2	WING KIT, FDTM, ICE/EV	1
3	ARKFTM148	RAIL KIT,FD TR MR 148	1
4	AS-2T1460FTMA	SF UNIT,2T,14X60,FTM,A,4	1
5	AS-2T14108FTMA	SF UNIT,2T,14X108,FTM,A,4	1
6	DIVK148	SHELF DIVIDER KIT,14D,8	1
7	ADUK1418A3C-RI	DRAWER UNIT,14X18,A,3,C,R	1



CAUTION: DRILL THRU FLOOR WITH CARE! WATCH FOR GAS TANK, CONTROL LINES, & ELECTRICAL WIRING.



906 James Street
Adrian, Michigan 49221
517.265.6194
WWW.ADRIANSTEEL.COM

ALL DESIGNS AND DESIGN CONCEPTS ARE THE INTELLECTUAL PROPERTY OF ADRIAN STEEL COMPANY AND ARE NOT TO BE COPIED, DISTRIBUTED OR COMMUNICATED TO OUTSIDE PARTIES WITHOUT THE WRITTEN PERMISSION OF ADRIAN STEEL COMPANY. THE MATERIAL/CONCEPTS/DESIGNS CONTAINED WITHIN THIS DOCUMENT ARE FOR THE PURPOSE OF SUPPLYING PRODUCT TO POTENTIAL ADRIAN STEEL COMPANY CUSTOMERS.

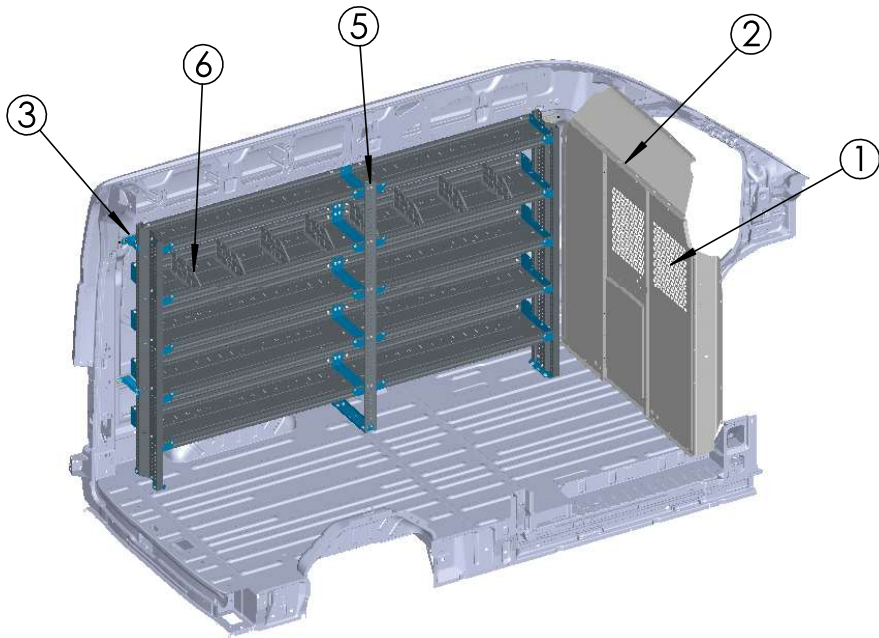
Drawn By: **GDR**
Date: **07/25/2025**
ECN No: **28499**
PDS No: **BIN-FTMR148B**

Customer: **BIN PACKAGE**
Vehicle: **TRANSIT 148" WB MR**

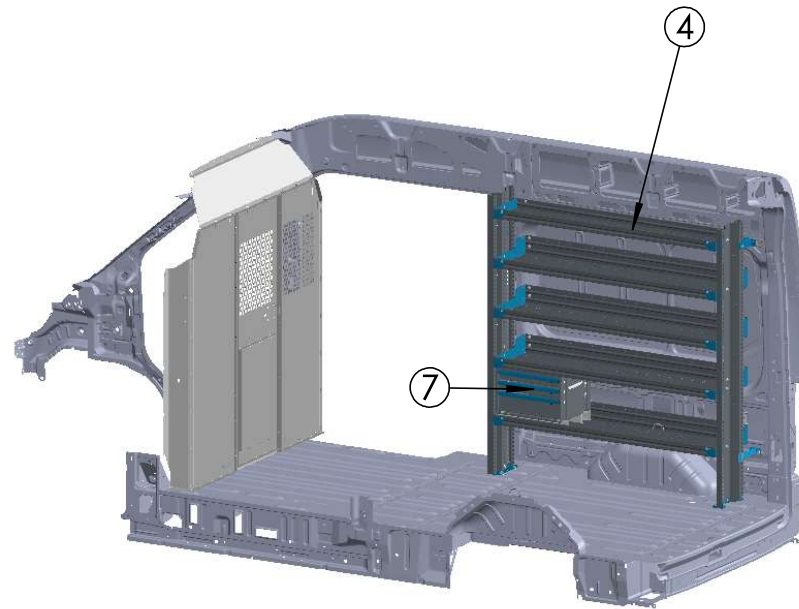
Package Weight: **427.66**

Sheet: **1 of 1**

Rev.: **A**



ITEM NO.	PART NUMBER	DESCRIPTION	QTY.
1	S1M2C2PM	SMC PANEL KIT, PM	1
2	WKC1FDTH2	WING KIT, FDTH, ICE/EV	1
3	ARKFTM148	RAIL KIT,FD TR MR 148	1
4	AS-2T1460FTHA	SF UNIT,2T,14X60,FTH,A,5	1
5	AS-2T14102FTHA	SF UNIT,2T,14X102,FTH,A,5	1
6	DIVK148	SHELF DIVIDER KIT,14D,8	1
7	ADUK1418A3C-RI	DRAWER UNIT,14X18,A,3,C,R	1



CAUTION: DRILL THRU FLOOR WITH CARE! WATCH FOR GAS TANK, CONTROL LINES, & ELECTRICAL WIRING.



906 James Street
Adrian, Michigan 49221
517.265.6194
WWW.ADRIANSTEEL.COM

ALL DESIGNS AND DESIGN CONCEPTS ARE THE INTELLECTUAL PROPERTY OF ADRIAN STEEL COMPANY AND ARE NOT TO BE COPIED, DISTRIBUTED OR COMMUNICATED TO OUTSIDE PARTIES WITHOUT THE WRITTEN PERMISSION OF ADRIAN STEEL COMPANY. THE MATERIAL/CONCEPTS/DESIGNS CONTAINED WITHIN THIS DOCUMENT ARE FOR THE PURPOSE OF SUPPLYING PRODUCT TO POTENTIAL ADRIAN STEEL COMPANY CUSTOMERS.

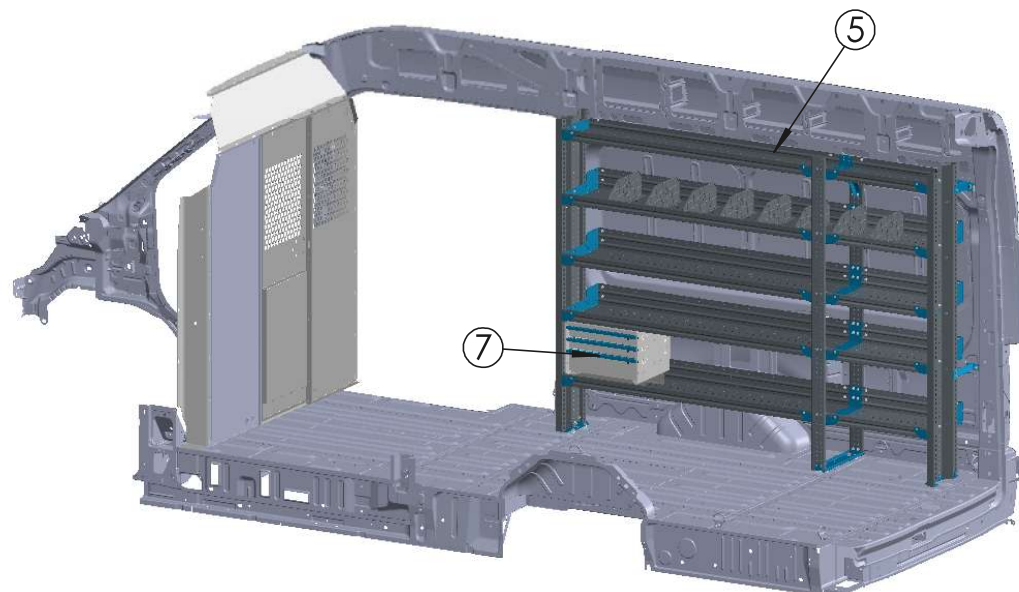
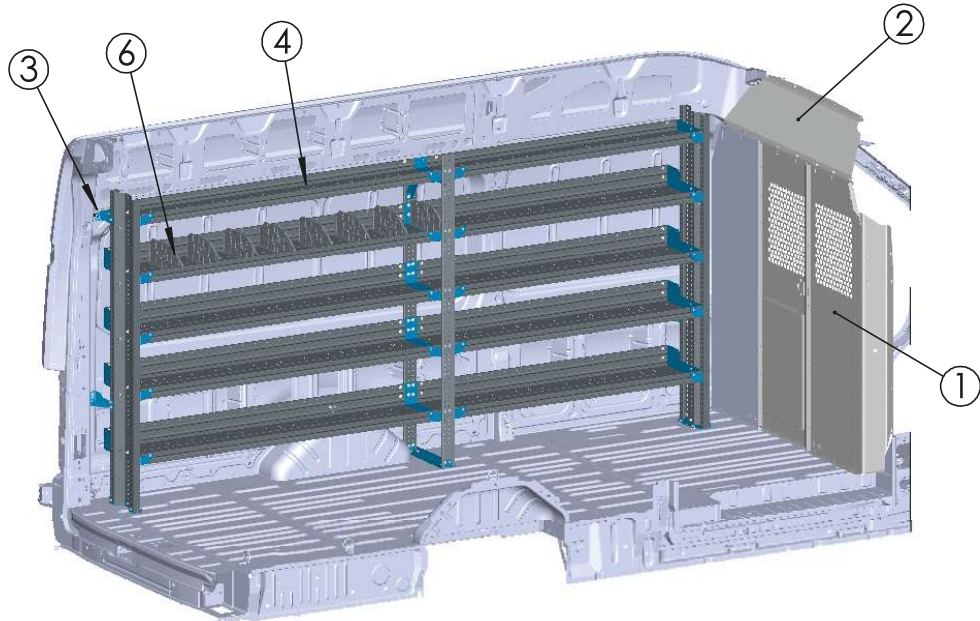
Drawn By: **GDR**
Date: **08/04/2025**
ECN No: **28499**
PDS No: **BIN-FTHR148B**

Customer: **BIN PACKAGE**
Vehicle: **TRANSIT 148"WB HR**

Package Weight: **471.39**

Sheet: **1 of 1**

Rev.: **A**



ITEM NO.	PART NUMBER	DESCRIPTION	QTY.
1	S1M2C2PM	SMC PANEL KIT, PM	1
2	WKC1FDTH2	WING KIT, FDTH, ICE/EV	1
3	ARKFTH148X	RAIL KIT,FD TR HR 148X	1
4	AS-2T14132FTHA	SF UNIT,2T,14X132,FTH,A,5	1
5	AS-2T1484FTHA	SF UNIT,2T,14X84,FTH,A,5	1
6	DIVK148	SHELF DIVIDER KIT,14D,8	2
7	ADUK1418A3C-RI	DRAWER UNIT,14X18,A,3,C,R	1

CAUTION: DRILL THRU FLOOR WITH CARE! WATCH FOR GAS TANK, CONTROL LINES, & ELECTRICAL WIRING.

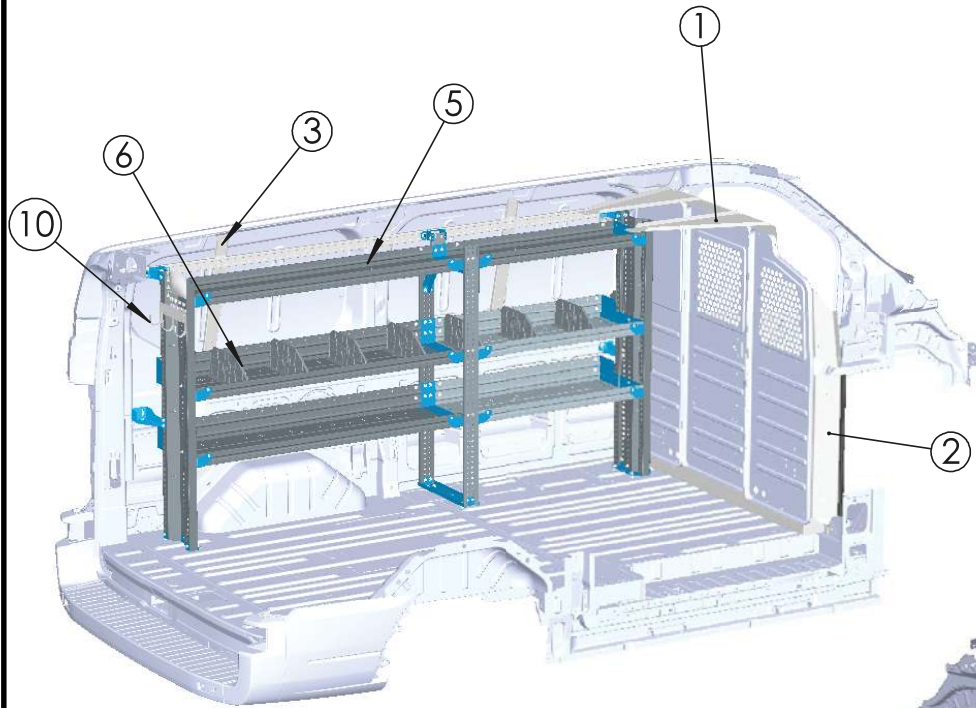


906 James Street
Adrian, Michigan 49221
517.265.6194
WWW.ADRIANSTEEL.COM

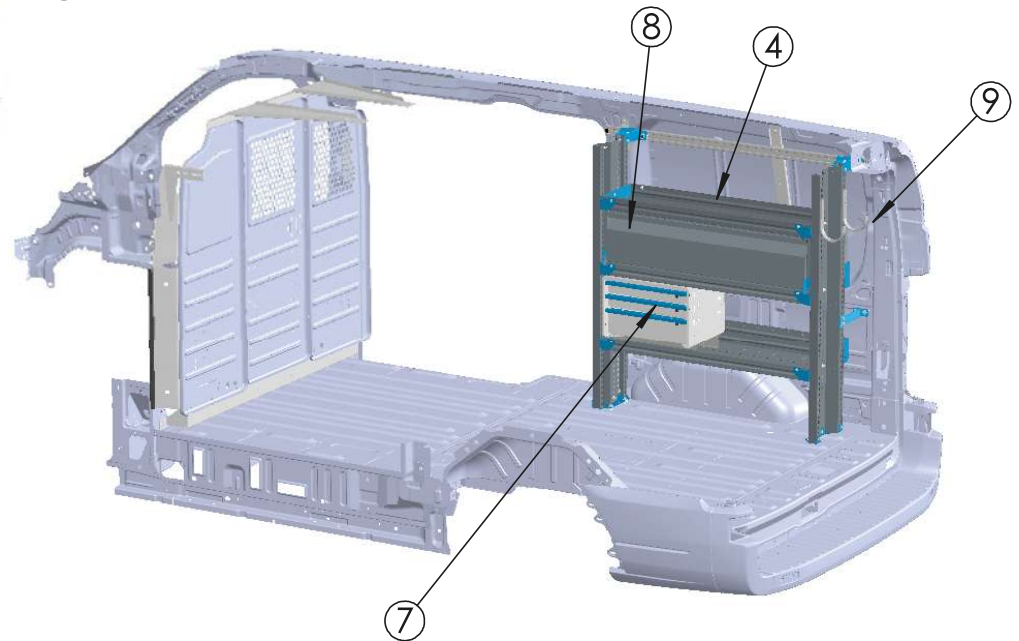
ALL DESIGNS AND DESIGN CONCEPTS ARE THE INTELLECTUAL PROPERTY OF ADRIAN STEEL COMPANY AND ARE NOT TO BE COPIED, DISTRIBUTED OR COMMUNICATED TO OUTSIDE PARTIES WITHOUT THE WRITTEN PERMISSION OF ADRIAN STEEL COMPANY. THE MATERIAL/CONCEPTS/DESIGNS CONTAINED WITHIN THIS DOCUMENT ARE FOR THE PURPOSE OF SUPPLYING PRODUCT TO POTENTIAL ADRIAN STEEL COMPANY CUSTOMERS.

Drawn By: **GDR**
Date: **08/05/2025**
ECN No: **28499**
PDS No: **BIN-FTHR148XB**

Customer: **BIN PACKAGE**
Vehicle: **TRANSIT 148"EXT WB HR**
Package Weight: **559.37**
Sheet: **1 of 1**
Rev.: **A**



ITEM NO.	PART NUMBER	DESCRIPTION	QTY.
1	S1M2C2FSV	S1-M2-C2 PARTITION	1
2	WKC1TSOP-G	PAR INSTALL KIT, FT, LR	1
3	ARKFTL130	RAIL KIT,FD TR LR 130	1
4	AS-2T1442FTLA	SF UNIT,2T,14X42,FTL,A,3	1
5	AS-2T1490FTLA	SF UNIT,2T,14X90,FTL,A,3	1
6	DIVK148	SHELF DIVIDER KIT,14D,8	1
7	ADUK1418A3C-RI	DRAWER UNIT,14X18,A,3,C,R	1
8	ADK1042A	DOOR KIT,10X42,A	1
9	UH50	HOOK 5"	2
10	UHB3	UTILITY HOOK BAR, 3	1



CAUTION: DRILL THRU FLOOR WITH CARE! WATCH FOR GAS TANK, CONTROL LINES, & ELECTRICAL WIRING.



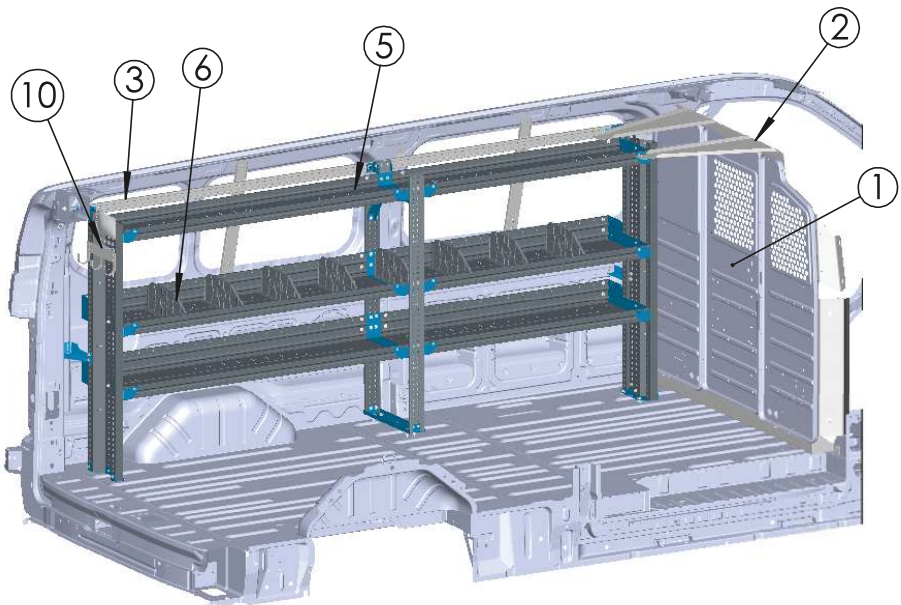
906 James Street
Adrian, Michigan 49221
517.265.6194
WWW.ADRIANSTEEL.COM

ALL DESIGNS AND DESIGN CONCEPTS ARE THE INTELLECTUAL PROPERTY OF ADRIAN STEEL COMPANY AND ARE NOT TO BE COPIED, DISTRIBUTED OR COMMUNICATED TO OUTSIDE PARTIES WITHOUT THE WRITTEN PERMISSION OF ADRIAN STEEL COMPANY.
THE MATERIAL/CONCEPTS/DESIGNS CONTAINED WITHIN THIS DOCUMENT ARE FOR THE PURPOSE OF SUPPLYING PRODUCT TO POTENTIAL ADRIAN STEEL COMPANY CUSTOMERS.

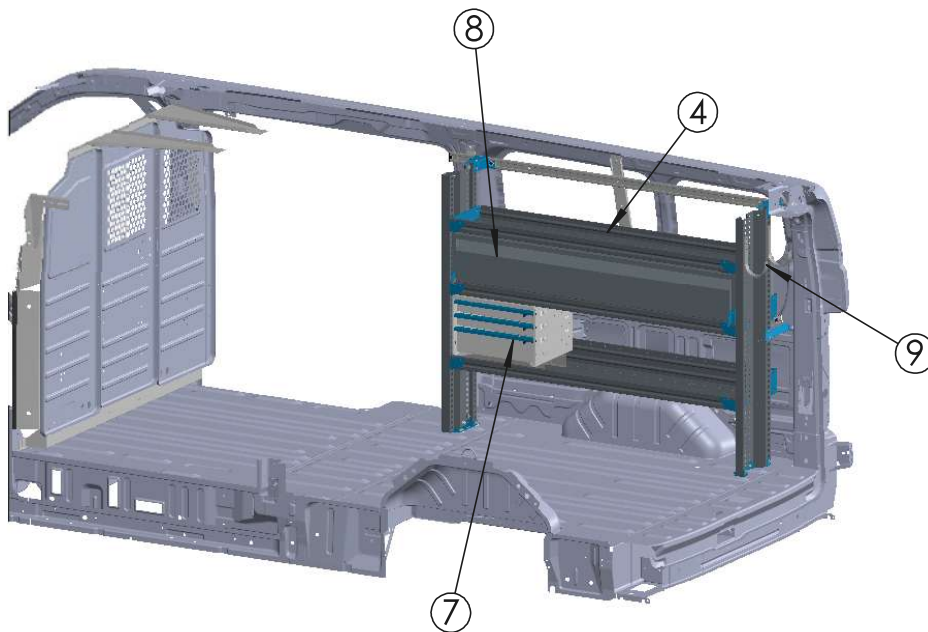
Drawn By: **GDR**
Date: **01-06-2026**
ECN No: **28974**
PDS No: **GEN-FTLR130B**

Customer: **GENERAL SERVICE PACKAGE**
Vehicle: **TRANSIT 130"WB LR**

Package Weight: **355.49**
Sheet: **1 of 1**
Rev.: **B**



ITEM NO.	PART NUMBER	DESCRIPTION	QTY.
1	S1M2C2FSV	S1-M2-C2 PARTITION	1
2	WKC1TSOP-G	PAR INSTALL KIT, FT, LR	1
3	ARKFTL148	RAIL KIT, FD TR LR 148	1
4	AS-2T1460FTLA	SF UNIT,2T,14X60,FTL,A,3	1
5	AS-2T14108FTLA	SF UNIT,2T,14X108,FTL,A,3	1
6	DIVK148	SHELF DIVIDER KIT,14D,8	1
7	ADUK1418A3C-RI	DRAWER UNIT,14X18,A,3,C,R	1
8	ADK1060A	DOOR KIT,10X60,A	1
9	UH50	HOOK 5"	2
10	UHB3	UTILITY HOOK BAR, 3	1



CAUTION: DRILL THRU FLOOR WITH CARE! WATCH FOR GAS TANK, CONTROL LINES, & ELECTRICAL WIRING.



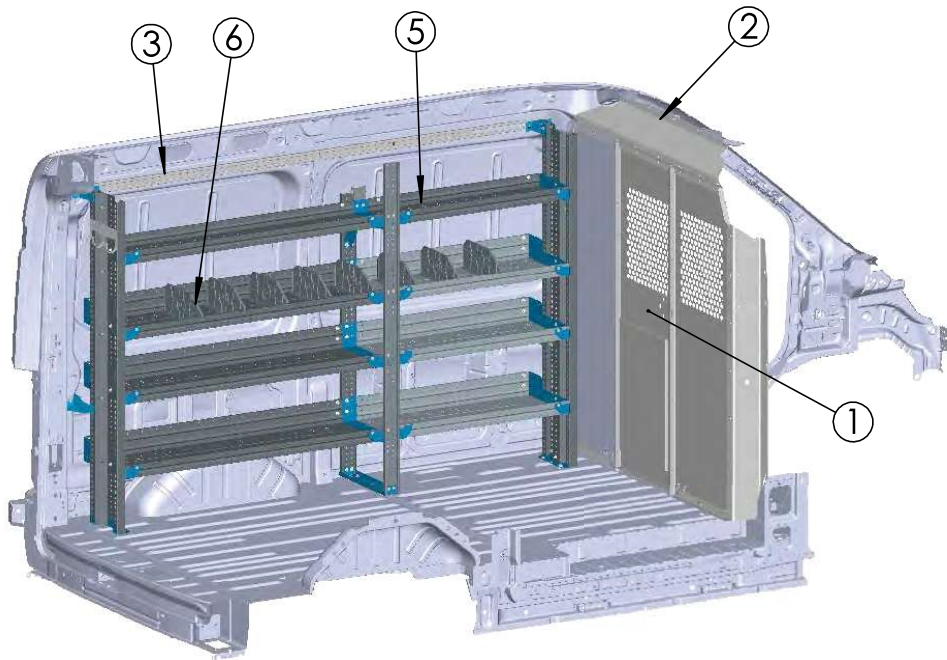
906 James Street
Adrian, Michigan 49221
517.265.6194
WWW.ADRIANSTEEL.COM

ALL DESIGNS AND DESIGN CONCEPTS ARE THE INTELLECTUAL PROPERTY OF ADRIAN STEEL COMPANY AND ARE NOT TO BE COPIED, DISTRIBUTED OR COMMUNICATED TO OUTSIDE PARTIES WITHOUT THE WRITTEN PERMISSION OF ADRIAN STEEL COMPANY.
THE MATERIAL/CONCEPTS/DESIGNS CONTAINED WITHIN THIS DOCUMENT ARE FOR THE PURPOSE OF SUPPLYING PRODUCT TO POTENTIAL ADRIAN STEEL COMPANY CUSTOMERS.

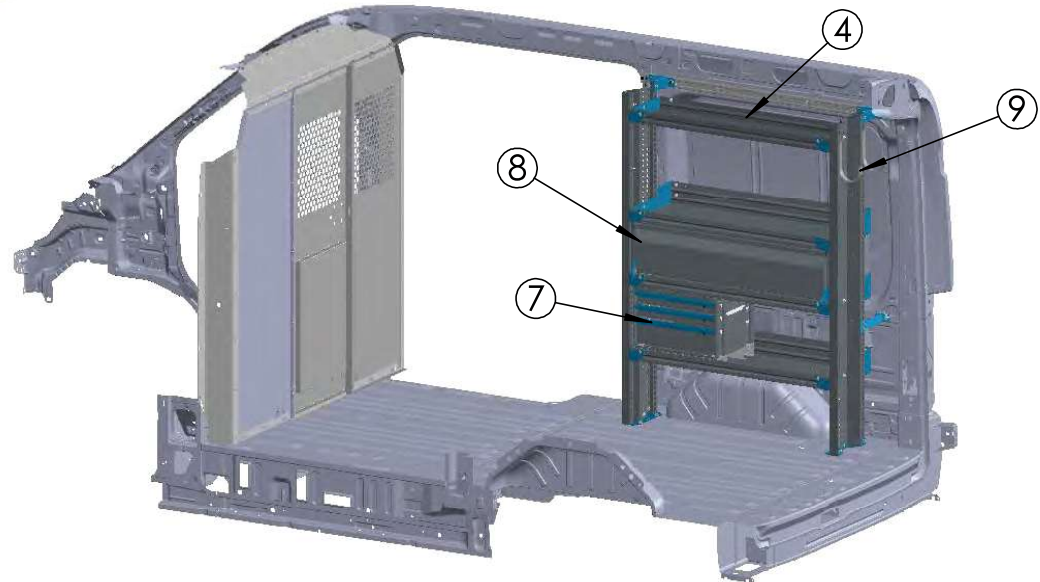
Drawn By: **GDR**
Date: **01-06-2026**
ECN No: **28974**
PDS No: **GEN-FTLR148B**

Customer: **GENERAL SERVICE PACKAGE**
Vehicle: **TRANSIT 148" WB LR**

Package Weight: **365.97**
Sheet: **1 of 1**
Rev.: **B**



ITEM NO.	PART NUMBER	DESCRIPTION	QTY.
1	S1M2C2PM	SMC PANEL KIT, PM	1
2	WKC1FDTM2	WING KIT, FDTM, ICE/EV	1
3	ARKFTM130	RAIL KIT, FD MR 130	1
4	AS-2T1442FTMA	SF UNIT, 2T, 14X42, FTM, A, 4	1
5	AS-2T1490FTMA	SF UNIT, 2T, 14X90, FTM, A, 4	1
6	DIVK148	SHELF DIVIDER KIT, 14D, 8	1
7	ADUK1418A3C-RI	DRAWER UNIT, 14X18, A, 3, C, R	1
8	ADK1042A	DOOR KIT, 10X42, A	1
9	UH50	HOOK 5"	2
10	UHB3	UTILITY HOOK BAR, 3	1



CAUTION: DRILL THRU FLOOR WITH CARE! WATCH FOR GAS TANK, CONTROL LINES, & ELECTRICAL WIRING.



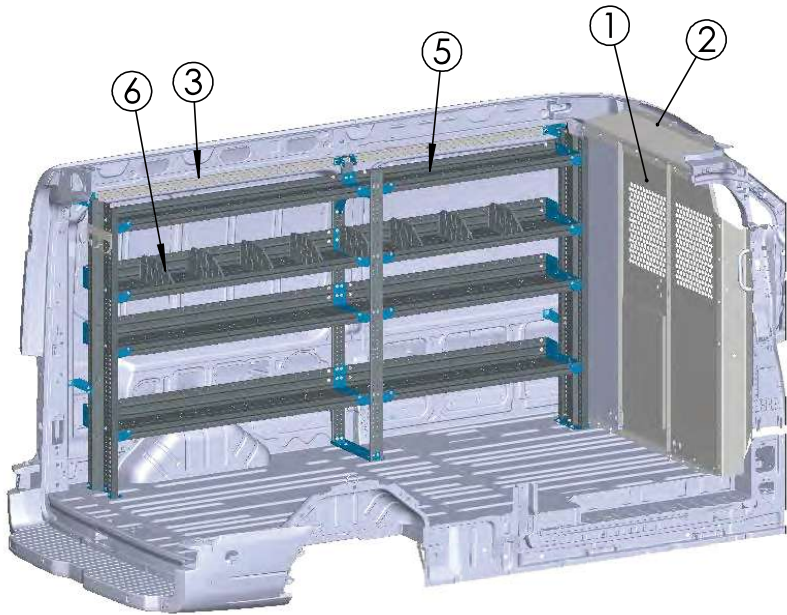
906 James Street
Adrian, Michigan 49221
517.265.6194
WWW.ADRIANSTEEL.COM

ALL DESIGNS AND DESIGN CONCEPTS ARE THE INTELLECTUAL PROPERTY OF ADRIAN STEEL COMPANY AND ARE NOT TO BE COPIED, DISTRIBUTED OR COMMUNICATED TO OUTSIDE PARTIES WITHOUT THE WRITTEN PERMISSION OF ADRIAN STEEL COMPANY. THE MATERIAL/CONCEPTS/DESIGNS CONTAINED WITHIN THIS DOCUMENT ARE FOR THE PURPOSE OF SUPPLYING PRODUCT TO POTENTIAL ADRIAN STEEL COMPANY CUSTOMERS.

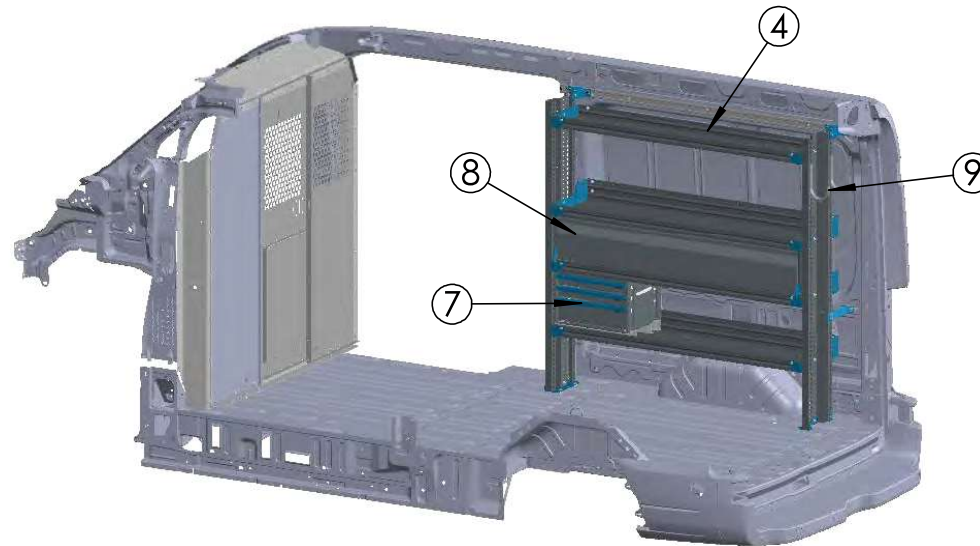
Drawn By: **GDR**
Date: **07/28/2025**
ECN No: **28499**
PDS No: **GEN-FTMR130B**

Customer: **GENERAL SERVICE PACKAGE**
Vehicle: **TRANSIT 130" WB MR**

Package Weight: **414.93**
Sheet: **1 of 1**
Rev.: **A**



ITEM NO.	PART NUMBER	DESCRIPTION	QTY.
1	S1M2C2PM	WING KIT, TRANSIT FS, MR, STD POS	1
2	WKC1FDTM2	WING KIT, FDTM, ICE/EV	1
3	ARKFTM148	RAIL KIT,FD TR MR 148	1
4	AS-2T1460FTMA	SF UNIT,2T,14X60,FTM,A,4	1
5	AS-2T14108FTMA	SF UNIT,2T,14X108,FTM,A,4	1
6	DIVK148	SHELF DIVIDER KIT,14D,8	1
7	ADUK1418A3C-RI	DRAWER UNIT,14X18,A,3,C,R	1
8	ADK1060A	DOOR KIT,10X60,A	1
9	UH50	HOOK 5"	2
10	UHB3	UTILITY HOOK BAR, 3	1



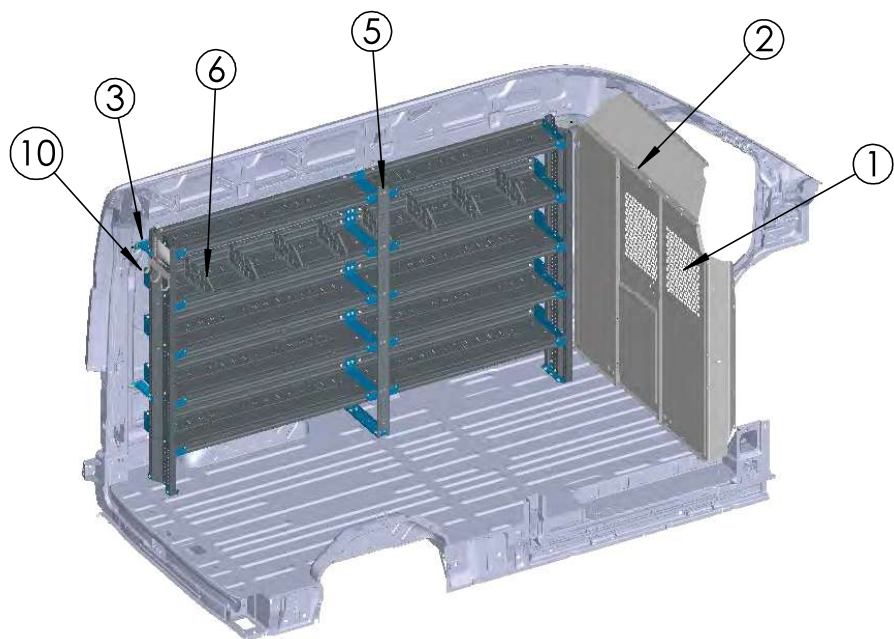
CAUTION: DRILL THRU FLOOR WITH CARE! WATCH FOR GAS TANK, CONTROL LINES, & ELECTRICAL WIRING.



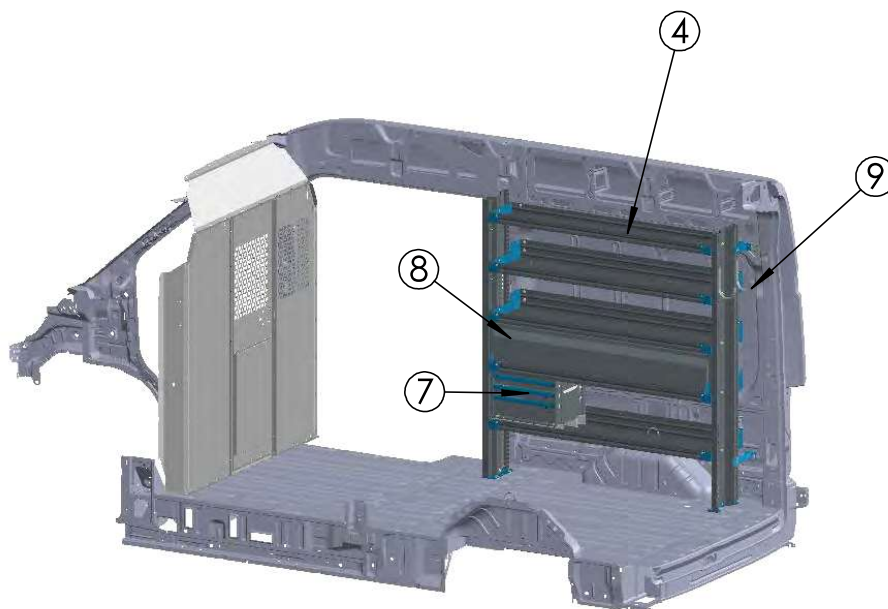
906 James Street
Adrian, Michigan 49221
517.265.6194
WWW.ADRIANSTEEL.COM

ALL DESIGNS AND DESIGN CONCEPTS ARE THE INTELLECTUAL PROPERTY OF ADRIAN STEEL COMPANY AND ARE NOT TO BE COPIED, DISTRIBUTED OR COMMUNICATED TO OUTSIDE PARTIES WITHOUT THE WRITTEN PERMISSION OF ADRIAN STEEL COMPANY. THE MATERIAL/CONCEPTS/DESIGNS CONTAINED WITHIN THIS DOCUMENT ARE FOR THE PURPOSE OF SUPPLYING PRODUCT TO POTENTIAL ADRIAN STEEL COMPANY CUSTOMERS.

Drawn By:	GDR	Customer:	GENERAL SERVICE PACKAGE	
Date:	08/01/2025	Vehicle	TRANSIT 148" WB MR	
ECN No:	28499	PDS No:	GEN-FTMR148E	Package Weight:
			461.52	Sheet:
				1 of 1
				Rev.: A



ITEM NO.	PART NUMBER	DESCRIPTION	QTY.
1	S1M2C2PM	SMC PANEL KIT, PM	1
2	WKC1FDTH2	WING KIT, FDTH, ICE/EV	1
3	ARKFTM148	RAIL KIT,FD TR MR 148	1
4	AS-2T1460FTHA	SF UNIT,2T,14X60,FTH,A,5	1
5	AS-2T14102FTHA	SF UNIT,2T,14X102,FTH,A,5	1
6	DIVK148	SHELF DIVIDER KIT,14D,8	1
7	ADUK1418A3C-RI	DRAWER UNIT,14X18,A,3,C,R	1
8	ADK1060A	DOOR KIT,10X60,A	1
9	UH50	HOOK 5"	2
10	UHB3	UTILITY HOOK BAR, 3	1



CAUTION: DRILL THRU FLOOR WITH CARE! WATCH FOR GAS TANK, CONTROL LINES, & ELECTRICAL WIRING.



906 James Street
Adrian, Michigan 49221
517.265.6194
WWW.ADRIANSTEEL.COM

ALL DESIGNS AND DESIGN CONCEPTS ARE THE INTELLECTUAL PROPERTY OF ADRIAN STEEL COMPANY AND ARE NOT TO BE COPIED, DISTRIBUTED OR COMMUNICATED TO OUTSIDE PARTIES WITHOUT THE WRITTEN PERMISSION OF ADRIAN STEEL COMPANY. THE MATERIAL/CONCEPTS/DESIGNS CONTAINED WITHIN THIS DOCUMENT ARE FOR THE PURPOSE OF SUPPLYING PRODUCT TO POTENTIAL ADRIAN STEEL COMPANY CUSTOMERS.

Drawn By: **GDR**

Date: **08/04/2025**

ECN No: **28499**

PDS No: **GEN-FTHR148B**

Customer:

GENERAL SERVICE PACKAGE

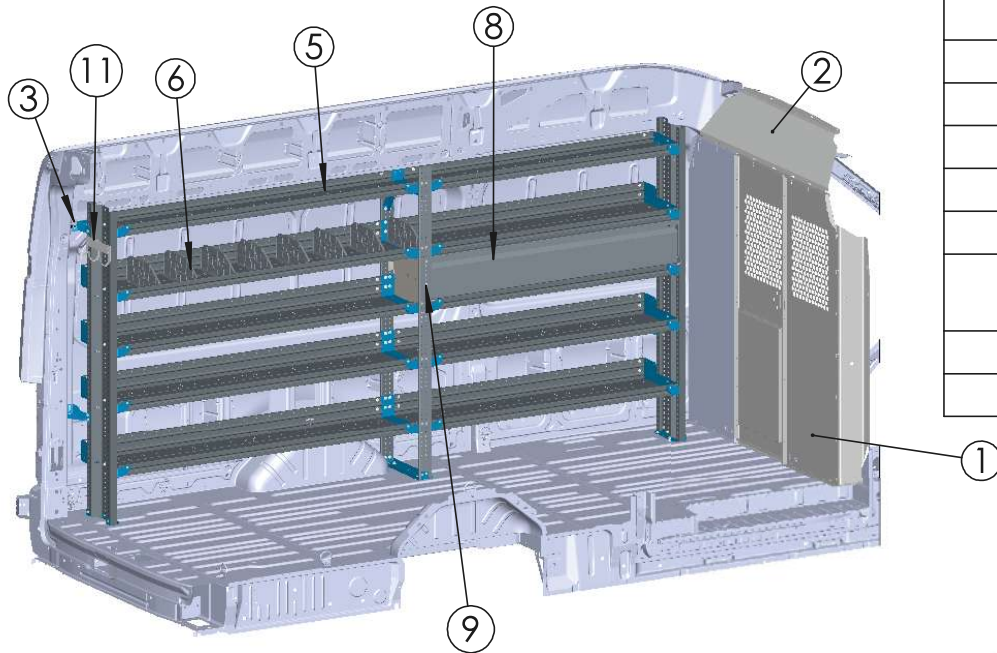
Vehicle

TRANSIT 148"WB HR

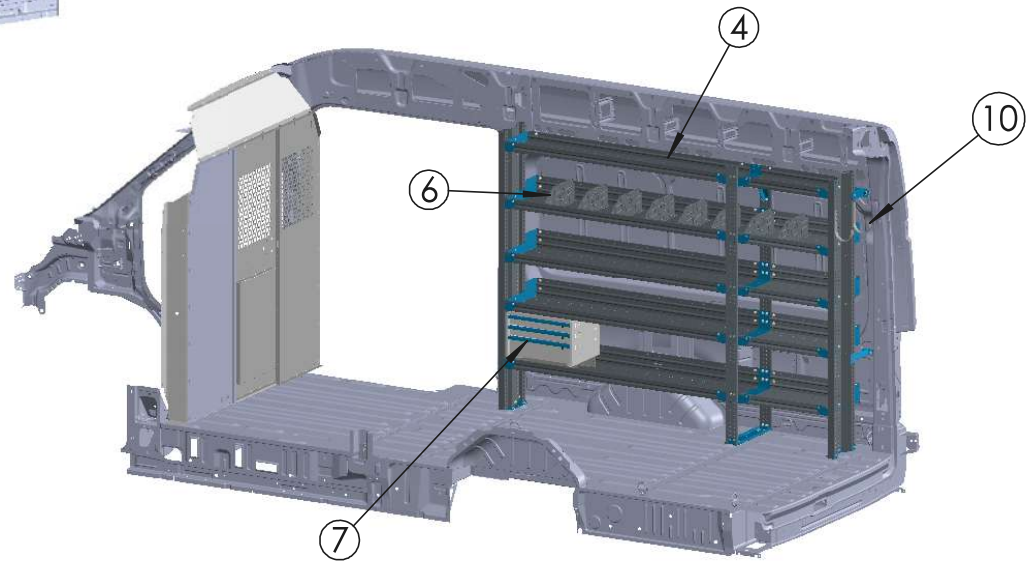
Package Weight: **471.39**

Sheet: **1 of 1**

Rev.: **A**



ITEM NO.	PART NUMBER	DESCRIPTION	QTY.
1	S1M2C2PM	SMC PANEL KIT, PM	1
2	WKC1FDTH2	WING KIT, FDTH, ICE/EV	1
3	ARKFTH148X	RAIL KIT,FD TR HR 148X	1
4	AS-2T1484FTHA	SF UNIT,2T,14X84,FTH,A,5	1
5	AS-2T14132FTHA	SF UNIT,2T,14X132,FTH,A,5	1
6	DIVK148	SHELF DIVIDER KIT,14D,8	2
7	ADUK1418A3C-RI	DRAWER UNIT,14X18,A,3,C,R	1
8	ADK1060A	DOOR KIT,10X60,A	1
9	ADKFP14A	DOUBLE SHELVE 14" FILLER PANEL,DOOR KIT	1
10	UH50	HOOK 5"	2
11	UHB3	UTILITY HOOK BAR, 3	1



CAUTION: DRILL THRU FLOOR WITH CARE! WATCH FOR GAS TANK, CONTROL LINES, & ELECTRICAL WIRING.



906 James Street
Adrian, Michigan 49221
517.265.6194
WWW.ADRIANSTEEL.COM

ALL DESIGNS AND DESIGN CONCEPTS ARE THE INTELLECTUAL PROPERTY OF ADRIAN STEEL COMPANY AND ARE NOT TO BE COPIED, DISTRIBUTED OR COMMUNICATED TO OUTSIDE PARTIES WITHOUT THE WRITTEN PERMISSION OF ADRIAN STEEL COMPANY.
THE MATERIAL/CONCEPTS/DESIGNS CONTAINED WITHIN THIS DOCUMENT ARE FOR THE PURPOSE OF SUPPLYING PRODUCT TO POTENTIAL ADRIAN STEEL COMPANY CUSTOMERS.

Drawn By: **GDR**

Date: **2-14-26**

ECN No: **29175**

PDS No: **GEN-FTHR148XB**

Customer:

**GENERAL SERVICE
PACKAGE**

Vehicle

TRANSIT 148"EXT WB HR

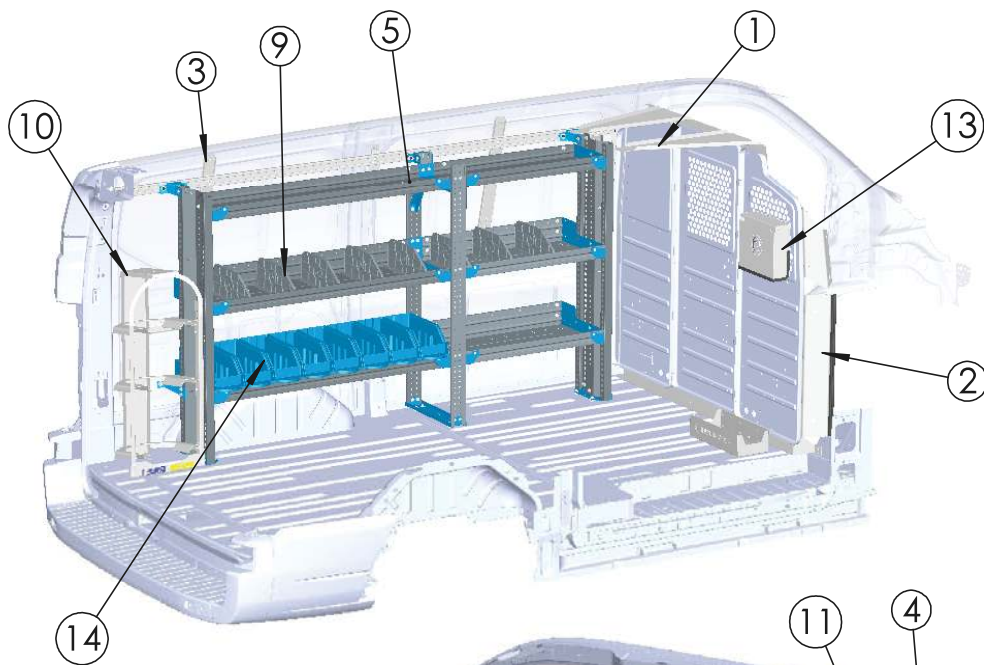
Package Weight:

718.651

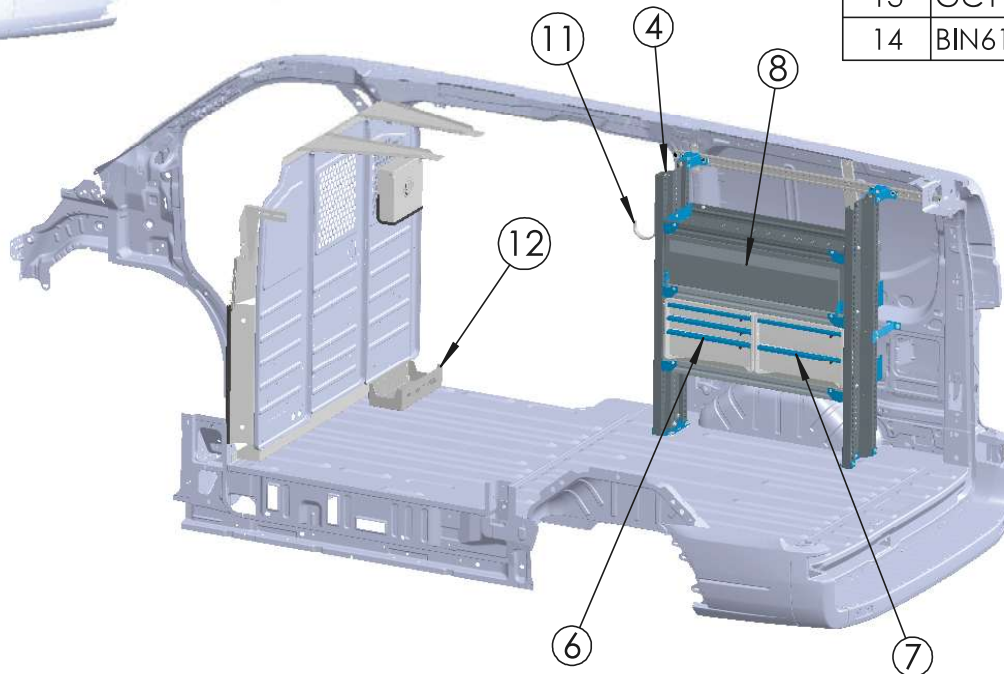
Sheet:

1 of 1

Rev.: **B**



ITEM NO.	PART NUMBER	DESCRIPTION	QTY.
1	S1M2C2FSV	S1-M2-C2 PARTITION	1
2	WKC1TSOP-G	PAR INSTALL KIT, FT, LR	1
3	ARKFTL130	RAIL KIT, FD TR LR 130	1
4	AS-2T1436FTLA	SF UNIT,2T,14X36,FTL,A,3	1
5	AS-2T1478FTLA	SF UNIT,2T,14X78,FTL,A,3	1
6	ADUK1418A3C-RI	DRAWER UNIT,14X18,A,3,C,R	1
7	ADUK1418A2T-RI	DRAWER UNIT,14X18,A,3,C,R	1
8	ADK1036A	DOOR KIT,10X36,A	1
9	DIVK148	SHELF DIVIDER KIT,14D,8	1
10	230150TR	TANK RACK, 2-30LB 50LB TANKS	1
11	UH50	HOOK 5"	2
12	VPH1	HVAC PUMP STORAGE KIT	1
13	GC1	HVAC GAUGE COVER KIT	1
14	BIN614	BIN, 6W X 14D	8



CAUTION: DRILL THRU FLOOR WITH CARE! WATCH FOR GAS TANK, CONTROL LINES, & ELECTRICAL WIRING.

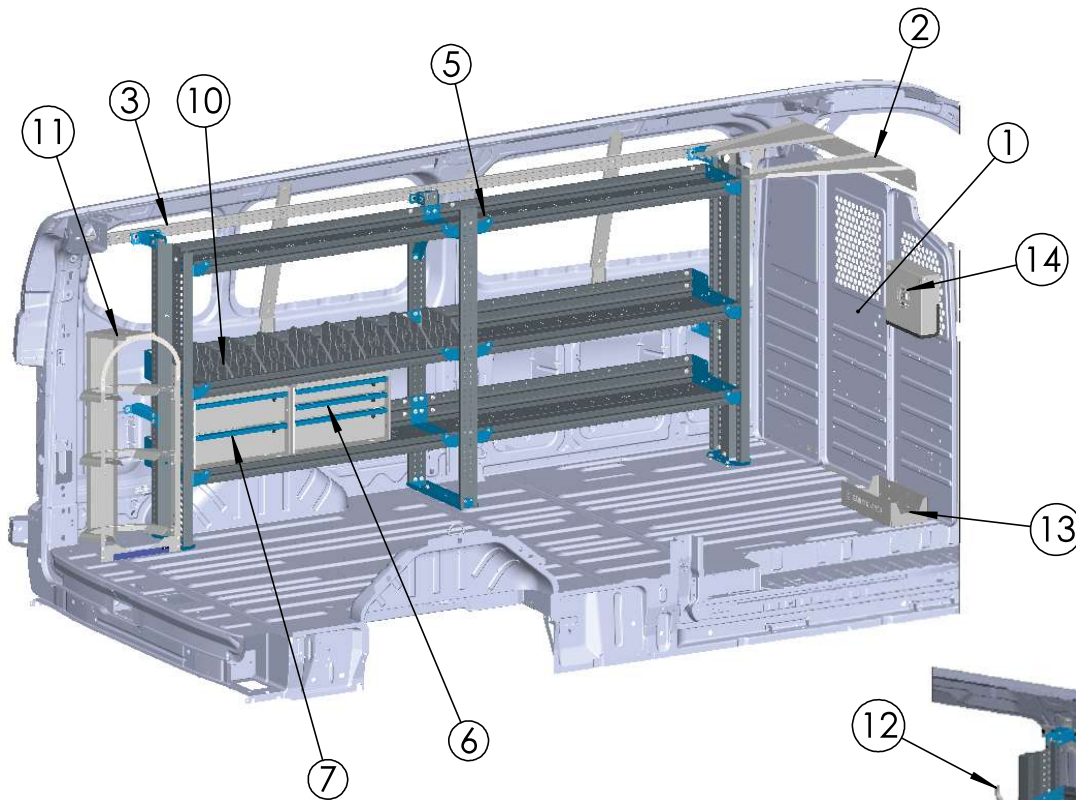


906 James Street
Adrian, Michigan 49221
517.265.6194
WWW.ADRIANSTEEL.COM

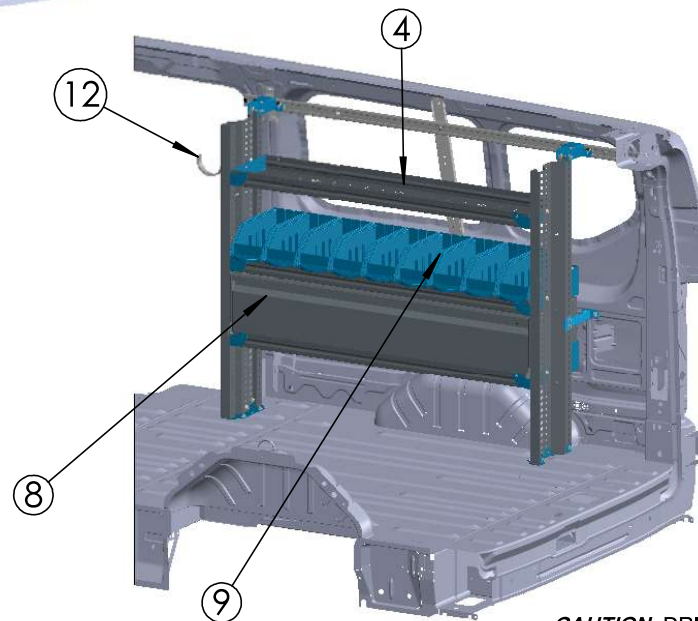
ALL DESIGNS AND DESIGN CONCEPTS ARE THE INTELLECTUAL PROPERTY OF ADRIAN STEEL COMPANY AND ARE NOT TO BE COPIED, DISTRIBUTED OR COMMUNICATED TO OUTSIDE PARTIES WITHOUT THE WRITTEN PERMISSION OF ADRIAN STEEL COMPANY. THE MATERIAL/CONCEPTS/DESIGNS CONTAINED WITHIN THIS DOCUMENT ARE FOR THE PURPOSE OF SUPPLYING PRODUCT TO POTENTIAL ADRIAN STEEL COMPANY CUSTOMERS.

Drawn By: **GDR**
Date: **01-07-2026**
ECN No: **28974**
PDS No: **HVAC-FTLR130B**

Customer: **HVAC STARTER PACKAGE**
Vehicle: **TRANSIT 130"WB LR**
Package Weight: **402.69**
Sheet: **1 of 1**
Rev.: **B**



ITEM NO.	PART NUMBER	DESCRIPTION	QTY.
1	S1M2C2FSV	S1-M2-C2 PARTITION	1
2	WKC1TSOP-G	PAR INSTALL KIT, FT, LR	1
3	ARKFTL148	RAIL KIT, FD TR LR 148	1
4	AS-2T1454FTLA	SF UNIT,2T,14X54,FTL,A,3	1
5	AS-2T1496FTLA	SF UNIT,2T,14X96,FTL,A,3	1
6	ADUK1418A3C-RI	DRAWER UNIT,14X18,A,3,C,R	1
7	ADUK1418A2T-RI	DRAWER UNIT,14X18,A,3,C,R	1
8	ADK1054A	DOOR KIT,10X54,A	1
9	BIN614	BIN, 6W X 14D	9
10	DIVK148	SHELF DIVIDER KIT,14D,8	1
11	230150TR	TANK RACK, 2-30LB 50LB TANKS	1
12	UH50	HOOK 5"	2
13	VPH1	HVAC PUMP STORAGE KIT	1
14	GC1	HVAC GAUGE COVER KIT	1



CAUTION: DRILL THRU FLOOR WITH CARE! WATCH FOR GAS TANK, CONTROL LINES, & ELECTRICAL WIRING.

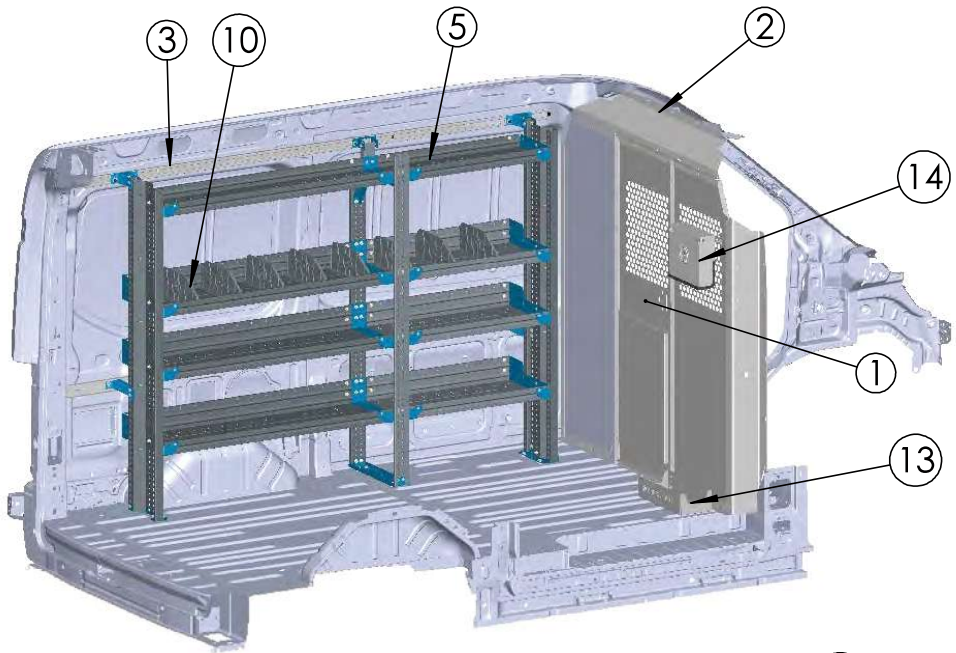


906 James Street
Adrian, Michigan 49221
517.265.6194
WWW.ADRIANSTEEL.COM

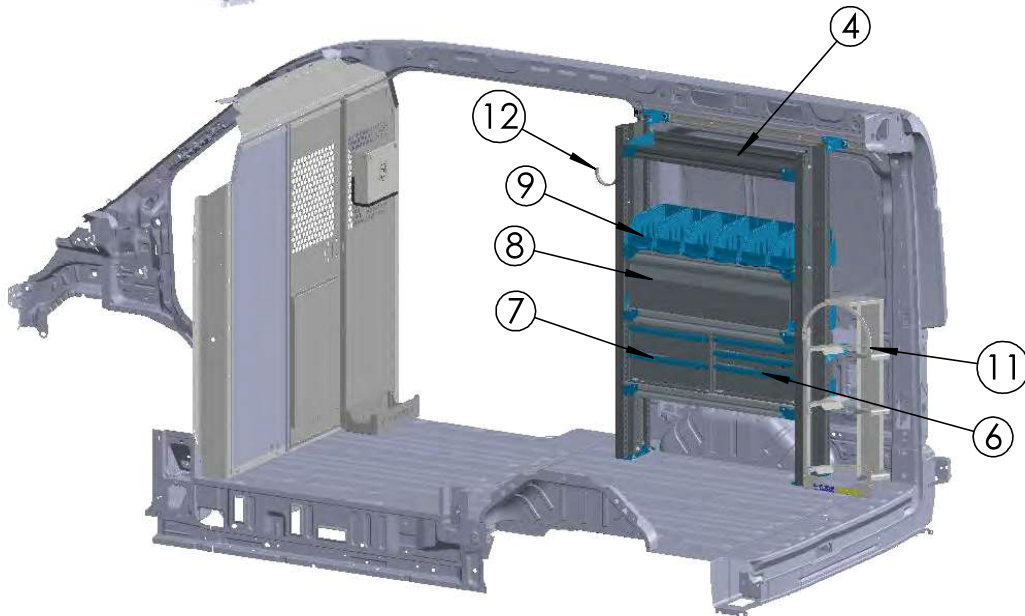
ALL DESIGNS AND DESIGN CONCEPTS ARE THE INTELLECTUAL PROPERTY OF ADRIAN STEEL COMPANY AND ARE NOT TO BE COPIED, DISTRIBUTED OR COMMUNICATED TO OUTSIDE PARTIES WITHOUT THE WRITTEN PERMISSION OF ADRIAN STEEL COMPANY. THE MATERIAL/CONCEPTS/DESIGNS CONTAINED WITHIN THIS DOCUMENT ARE FOR THE PURPOSE OF SUPPLYING PRODUCT TO POTENTIAL ADRIAN STEEL COMPANY CUSTOMERS.

Drawn By: **GDR**
Date: **01-07-2026**
ECN No: **28974**
PDS No: **HVAC-FTLR148B**

Customer: **HVAC STARTER PACKAGE**
Vehicle: **TRANSIT 148" WB LR**
Package Weight: **424.95**
Sheet: **1 of 1**
Rev.: **B**



ITEM NO.	PART NUMBER	DESCRIPTION	QTY.
1	S1M2C2PM	SMC PANEL KIT, PM	1
2	WKC1FDTM2	WING KIT, FDTM, ICE/EV	1
3	ARKFTM130	RAIL KIT, FD MR 130	1
4	AS-2T1436FTMA	SF UNIT,2T,14X36,FTM,A,4	1
5	AS-2T1478FTMA	SF UNIT,2T,14X78,FTM,A,4	1
6	ADUK1418A3C-RI	DRAWER UNIT,14X18,A,3,C,R	1
7	ADUK1418A2T-RI	DRAWER UNIT,14X18,A,2,T,R	1
8	ADK1036A	DOOR KIT,10X36,A	1
9	BIN614	BIN, 6W X 14D	6
10	DIVK148	SHELF DIVIDER KIT,14D,8	1
11	230150TR	TANK RACK, 2-30LB 50LB TANKS	1
12	UH50	HOOK 5"	2
13	VPH1	HVAC PUMP STORAGE KIT	1
14	GC1	HVAC GAUGE COVER KIT	1



CAUTION: DRILL THRU FLOOR WITH CARE! WATCH FOR GAS TANK, CONTROL LINES, & ELECTRICAL WIRING.

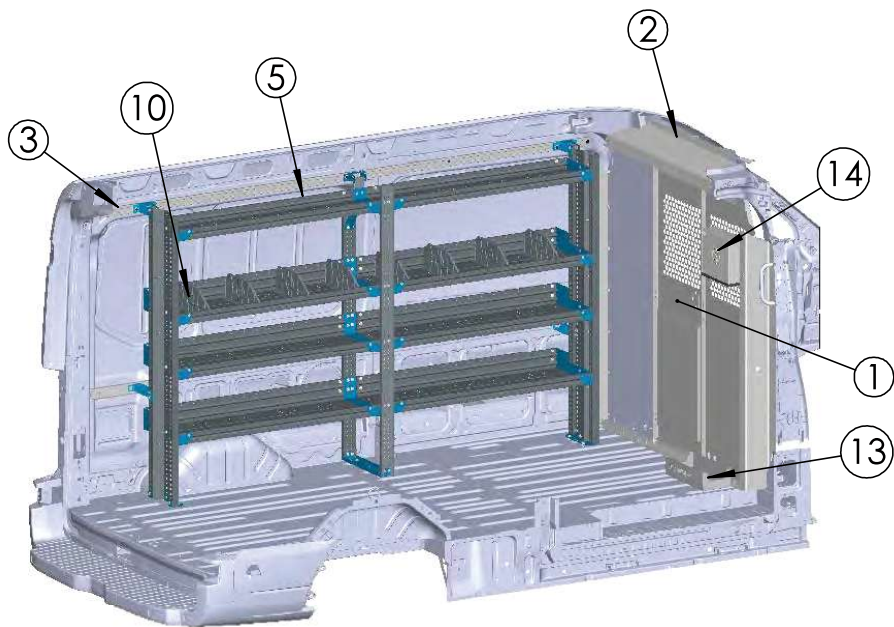


906 James Street
Adrian, Michigan 49221
517.265.6194
WWW.ADRIANSTEEL.COM

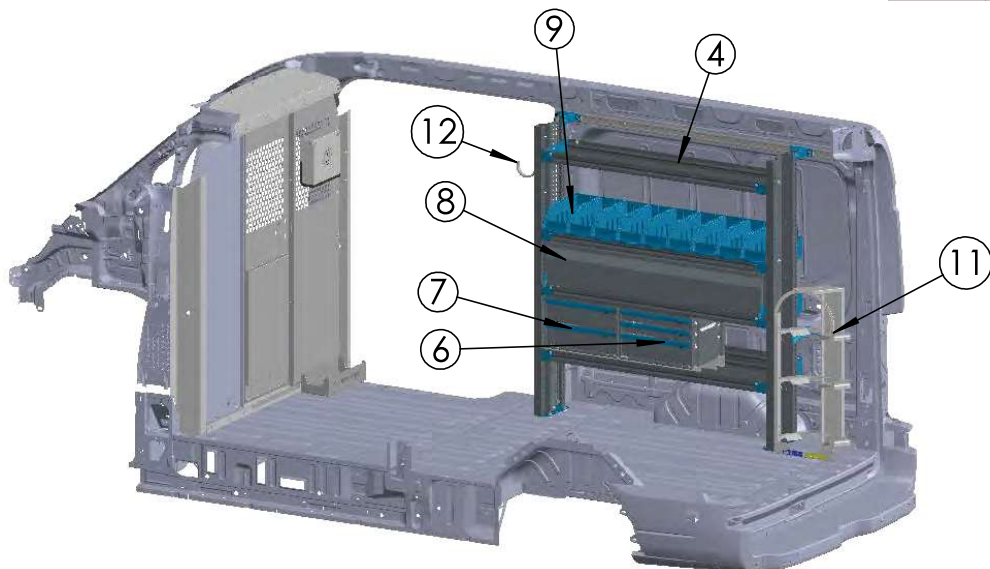
ALL DESIGNS AND DESIGN CONCEPTS ARE THE INTELLECTUAL PROPERTY OF ADRIAN STEEL COMPANY AND ARE NOT TO BE COPIED, DISTRIBUTED OR COMMUNICATED TO OUTSIDE PARTIES WITHOUT THE WRITTEN PERMISSION OF ADRIAN STEEL COMPANY. THE MATERIAL/CONCEPTS/DESIGNS CONTAINED WITHIN THIS DOCUMENT ARE FOR THE PURPOSE OF SUPPLYING PRODUCT TO POTENTIAL ADRIAN STEEL COMPANY CUSTOMERS.

Drawn By: **GDR**
Date: **07/30/2025**
ECN No: **28499**
PDS No: **HVAC-FTMR130B**

Customer: **HVAC STARTER PACKAGE**
Vehicle: **TRANSIT 130" WB MR**
Package Weight: **621.76**
Sheet: **1 of 1**
Rev.: **A**



ITEM NO.	PART NUMBER	DESCRIPTION	QTY.
1	S1M2C2PM	WING KIT, TRANSIT FS, MR, STD POS	1
2	WKC1FDTM2	WING KIT, FDTM, ICE/EV	1
3	ARKFTM148	RAIL KIT,FD TR MR 148	1
4	AS-2T1454FTMA	SF UNIT,2T,14X54,FTM,A,4	1
5	AS-2T1496FTMA	SF UNIT,2T,14X96,FTM,A,4	1
6	ADUK1418A3C-RI	DRAWER UNIT,14X18,A,3,C,R	1
7	ADUK1418A2T-RI	DRAWER UNIT,14X18,A,2,T,R	1
8	ADK1054A	DOOR KIT,10X54,A	1
9	BIN614	BIN, 6W X 14D	9
10	DIVK148	SHELF DIVIDER KIT,14D,8	1
11	230150TR	TANK RACK, 2-30LB 50LB TANKS	1
12	UH50	HOOK 5"	2
13	VPH1	HVAC PUMP STORAGE KIT	1
14	GC1	HVAC GAUGE COVER KIT	1



CAUTION: DRILL THRU FLOOR WITH CARE! WATCH FOR GAS TANK, CONTROL LINES, & ELECTRICAL WIRING.



906 James Street
Adrian, Michigan 49221
517.265.6194
WWW.ADRIANSTEEL.COM

ALL DESIGNS AND DESIGN CONCEPTS ARE THE INTELLECTUAL PROPERTY OF ADRIAN STEEL COMPANY AND ARE NOT TO BE COPIED, DISTRIBUTED OR COMMUNICATED TO OUTSIDE PARTIES WITHOUT THE WRITTEN PERMISSION OF ADRIAN STEEL COMPANY. THE MATERIAL/CONCEPTS/DESIGNS CONTAINED WITHIN THIS DOCUMENT ARE FOR THE PURPOSE OF SUPPLYING PRODUCT TO POTENTIAL ADRIAN STEEL COMPANY CUSTOMERS.

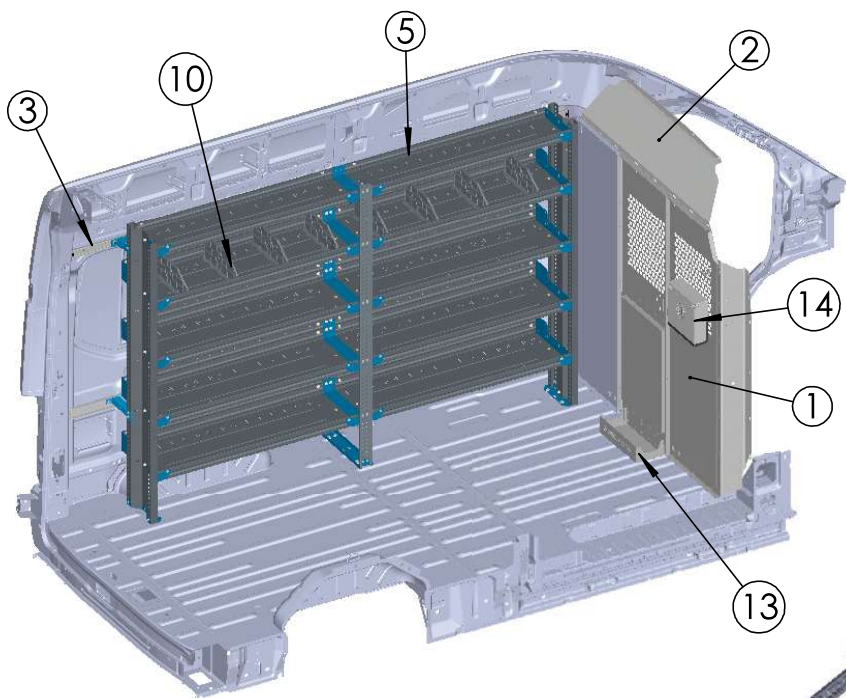
Drawn By: **GDR**
Date: **08/04/2025**
ECN No: **28499**
PDS No: **HVAC-FTMR148B**

Customer: **HVAC STARTER PACKAGE**
Vehicle: **FORD TRANSIT MR148**

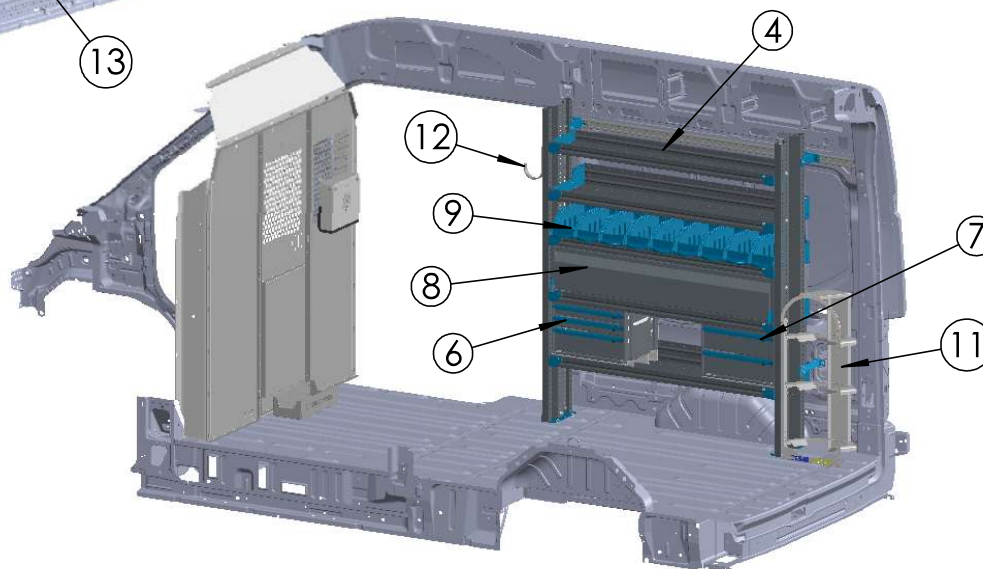
Package Weight: **524.29**

Sheet: **1 of 1**

Rev.: **A**



ITEM NO.	PART NUMBER	DESCRIPTION	QTY.
1	S1M2C2PM	SMC PANEL KIT, PM	1
2	WKC1FDTH2	WING KIT, FDTH, ICE/EV	1
3	ARKFTM148	RAIL KIT,FD TR MR 148	1
4	AS-2T1454FTHA	SF UNIT,2T,14X54,FTH,A,5	1
5	AS-2T1496FTHA	SF UNIT,2T,14X96,FTH,A,5	1
6	ADUK1418A3C-RI	DRAWER UNIT,14X18,A,3,C,R	1
7	ADUK1418A2T-RI	DRAWER UNIT,14X18,A,2,T,R	1
8	ADK1054A	DOOR KIT,10X54,A	1
9	BIN614	BIN, 6W X 14D	9
10	DIVK148	SHELF DIVIDER KIT,14D,8	1
11	230150TR	TANK RACK, 2-30LB 50LB TANKS	1
12	UH50	HOOK 5"	2
13	VPH1	HVAC PUMP STORAGE KIT	1
14	GC1	HVAC GAUGE COVER KIT	1



CAUTION: DRILL THRU FLOOR WITH CARE! WATCH FOR GAS TANK, CONTROL LINES, & ELECTRICAL WIRING.



906 James Street
Adrian, Michigan 49221
517.265.6194
WWW.ADRIANSTEEL.COM

ALL DESIGNS AND DESIGN CONCEPTS ARE THE INTELLECTUAL PROPERTY OF ADRIAN STEEL COMPANY AND ARE NOT TO BE COPIED, DISTRIBUTED OR COMMUNICATED TO OUTSIDE PARTIES WITHOUT THE WRITTEN PERMISSION OF ADRIAN STEEL COMPANY. THE MATERIAL/CONCEPTS/DESIGNS CONTAINED WITHIN THIS DOCUMENT ARE FOR THE PURPOSE OF SUPPLYING PRODUCT TO POTENTIAL ADRIAN STEEL COMPANY CUSTOMERS.

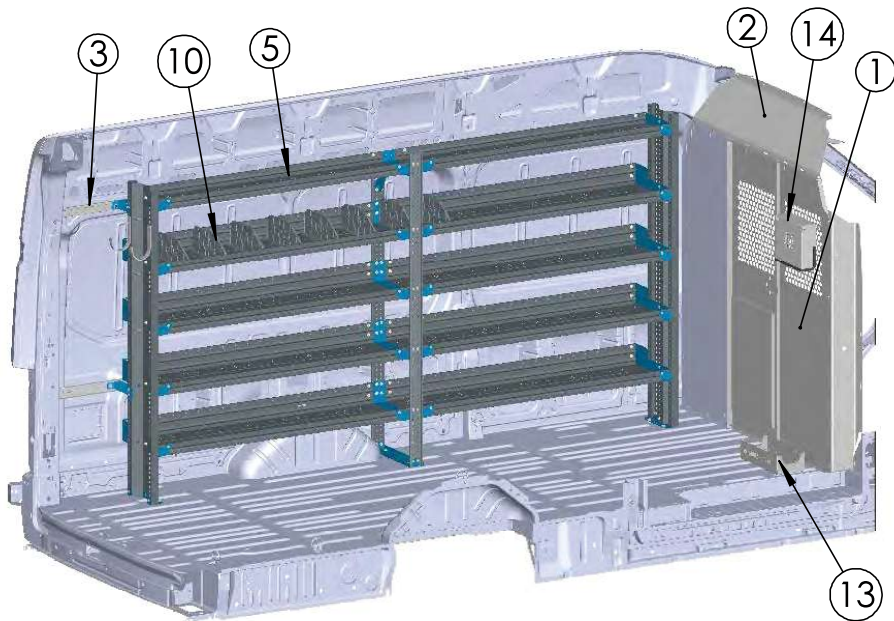
Drawn By: **GDR**
Date: **08/05/2025**
ECN No: **28499**
PDS No: **HVAC-FTHR148B**

Customer: **HVAC STARTER PACKAGE**
Vehicle: **TRANSIT 148"WB HR**

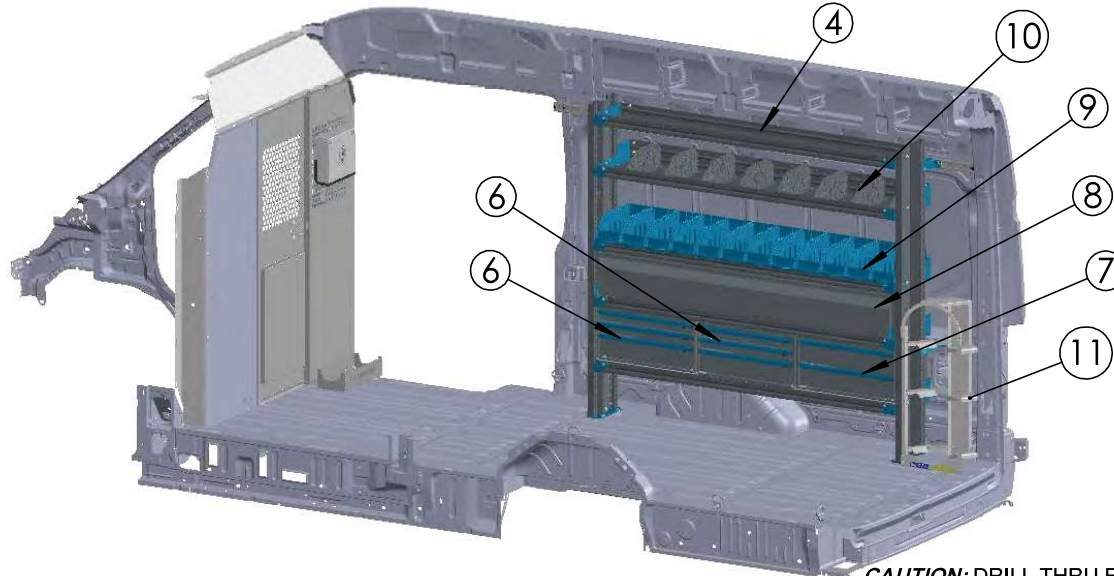
Package Weight: **567.87**

Sheet: **1 of 1**

Rev.: **A**



ITEM NO.	PART NUMBER	DESCRIPTION	QTY.
1	S1M2C2PM	SMC PANEL KIT, PM	1
2	WKC1FDTH2	WING KIT, FDTH, ICE/EV	1
3	ARKFTH148X	RAIL KIT,FD TR HR 148X	1
4	AS-2T1472FTH	SF UNIT,2T,14X72,FTH,A,5	1
5	AS-2T14120FTHA	SF UNIT,2T,14X120,FTH,A,5	1
6	ADUK1424A3C-RI	DRAWER UNIT,14X24,A,3,C,R	2
7	ADUK1424A2T-RI	DRAWER UNIT,14X24,A,2,T,R	1
8	ADK1072A	DOOR KIT,10X72,A	1
9	BIN614	BIN, 6W X 14D	12
10	DIVK148	SHELF DIVIDER KIT,14D,8	2
11	230150TR	TANK RACK, 2-30LB 50LB TANKS	1
12	UH50	HOOK 5"	2
13	VPH1	HVAC PUMP STORAGE KIT	1
14	GC1	HVAC GAUGE COVER KIT	1



CAUTION: DRILL THRU FLOOR WITH CARE! WATCH FOR GAS TANK, CONTROL LINES, & ELECTRICAL WIRING.



906 James Street
Adrian, Michigan 49221
517.265.6194
WWW.ADRIANSTEEL.COM

ALL DESIGNS AND DESIGN CONCEPTS ARE THE INTELLECTUAL PROPERTY OF ADRIAN STEEL COMPANY AND ARE NOT TO BE COPIED, DISTRIBUTED OR COMMUNICATED TO OUTSIDE PARTIES WITHOUT THE WRITTEN PERMISSION OF ADRIAN STEEL COMPANY. THE MATERIAL/CONCEPTS/DESIGNS CONTAINED WITHIN THIS DOCUMENT ARE FOR THE PURPOSE OF SUPPLYING PRODUCT TO POTENTIAL ADRIAN STEEL COMPANY CUSTOMERS.

Drawn By: **GDR**

Date: **08/05/2025**

ECN No: **28499**

PDS No: **HVAC-FTHR148XB**

Customer:

HVAC STARTER PACKAGE

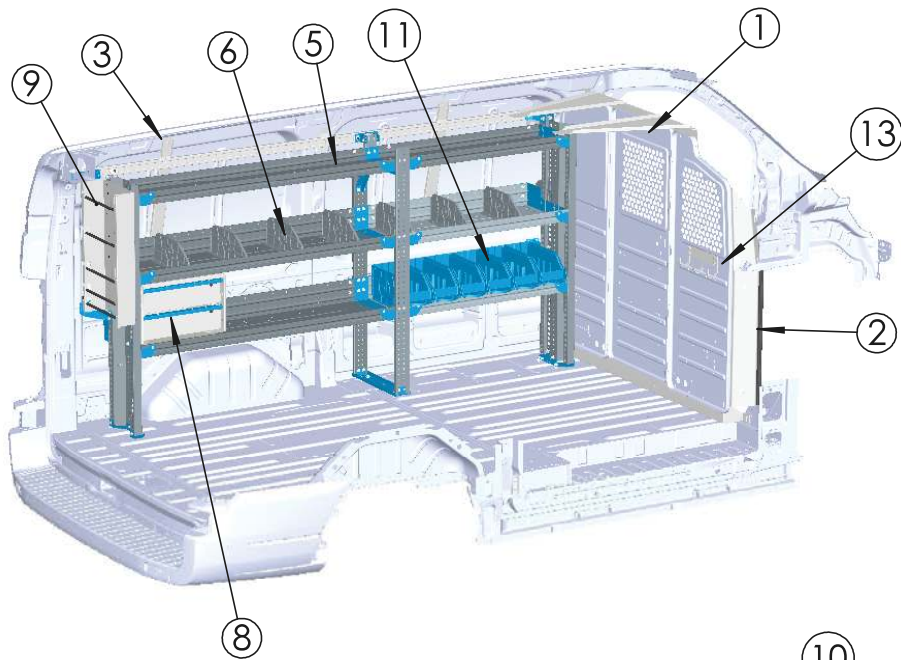
Vehicle

TRANSIT 148"EXT WB HR

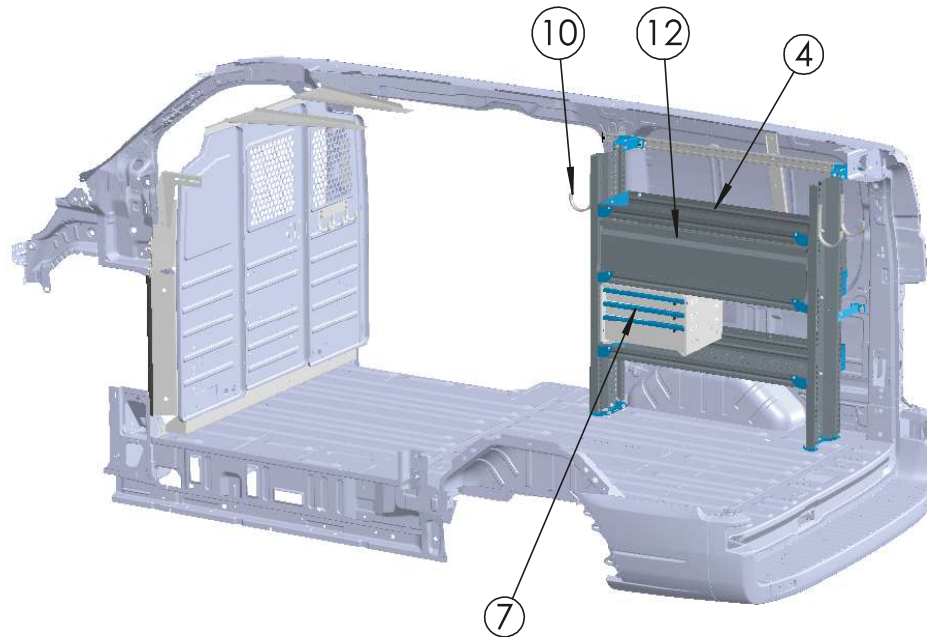
Package Weight: **691.56**

Sheet: **1 of 1**

Rev.: **A**



ITEM NO.	PART NUMBER	DESCRIPTION	QTY.
1	S1M2C2FSV	S1-M2-C2 PARTITION	1
2	WKC1TSOP-G	PAR INSTALL KIT, FT, LR	1
3	ARKFTL130	RAIL KIT,FD TR LR 130	1
4	AS-2T1442FTLA	SF UNIT,2T,14X42,FTL,A,3	1
5	AS-2T1490FTLA	SF UNIT,2T,14X90,FTL,A,3	1
6	DIVK148	SHELF DIVIDER KIT,14D,8	1
7	ADUK1418A3C-RI	DRAWER UNIT,14X18,A,3,C,R	1
8	ADUK1418A2T-RI	DRAWER UNIT,14X18,A,3,C,R	1
9	WRH5	WIRE REEL HOLDER	1
10	UH50	HOOK 5"	4
11	BIN614	BIN, 6W X 14D	6
12	ADK1042A	DOOR KIT,10X42,A	1
13	UHB3	UTILITY HOOK BAR, 3	1



CAUTION: DRILL THRU FLOOR WITH CARE! WATCH FOR GAS TANK, CONTROL LINES, & ELECTRICAL WIRING.



906 James Street
Adrian, Michigan 49221
517.265.6194
WWW.ADRIANSTEEL.COM

ALL DESIGNS AND DESIGN CONCEPTS ARE THE INTELLECTUAL PROPERTY OF ADRIAN STEEL COMPANY AND ARE NOT TO BE COPIED, DISTRIBUTED OR COMMUNICATED TO OUTSIDE PARTIES WITHOUT THE WRITTEN PERMISSION OF ADRIAN STEEL COMPANY.
THE MATERIAL/CONCEPTS/DESIGNS CONTAINED WITHIN THIS DOCUMENT ARE FOR THE PURPOSE OF SUPPLYING PRODUCT TO POTENTIAL ADRIAN STEEL COMPANY CUSTOMERS.

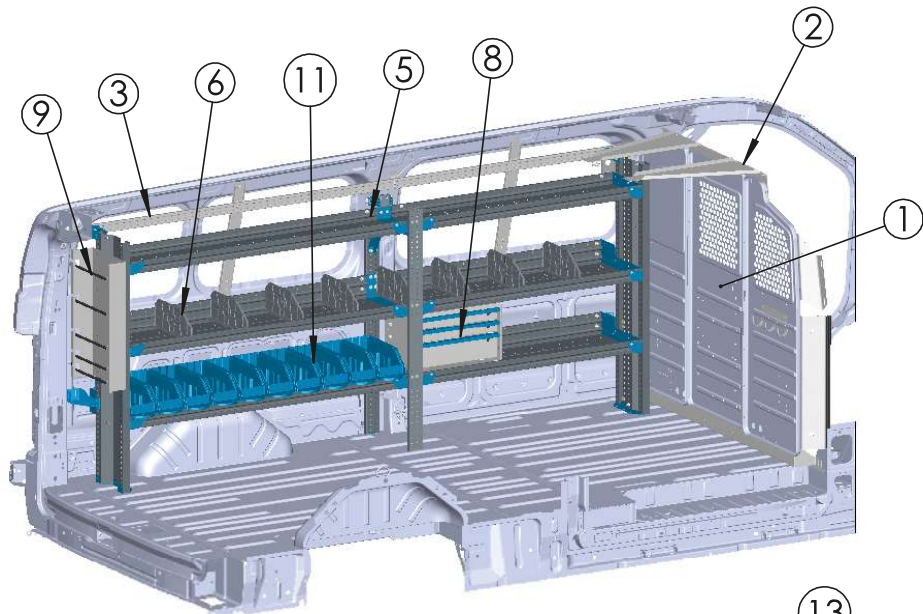
Drawn By: **GDR**
Date: **12-19-2025**
ECN No: **28974**
PDS No: **ELE-FTLR130B**

Customer: **ELECTRICAL STARTER PACKAGE**
Vehicle: **TRANSIT 130"WB LR**

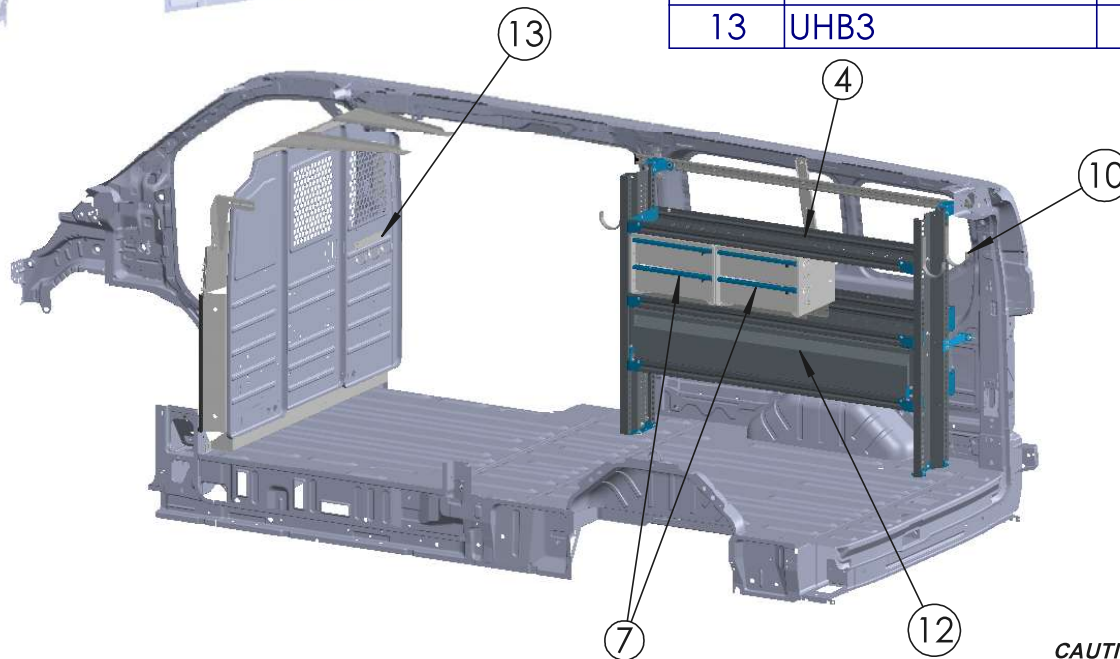
Package Weight: **395.09**

Sheet: **1 of 1**

Rev.: **C**



ITEM NO.	PART NUMBER	DESCRIPTION	QTY.
1	S1M2C2FSV	S1-M2-C2 PARTITION	1
2	WKC1TSOP-G	PAR INSTALL KIT, FT, LR	1
3	ARKFTL148	RAIL KIT, FD TR LR 148	1
4	AS-2T1460FTLA	SF UNIT,2T,14X60,FTL,A,3	1
5	AS-2T14108FTLA	SF UNIT,2T,14X108,FTL,A,3	1
6	DIVK148	SHELF DIVIDER KIT,14D,8	1
7	ADUK1418A2T-RI	DRAWER UNIT,14X18,A,3,C,R	2
8	ADUK1418A3C-RI	DRAWER UNIT,14X18,A,3,C,R	1
9	WRH5	WIRE REEL HOLDER	1
10	UH50	HOOK 5"	4
11	BIN614	BIN, 6W X 14D	10
12	ADK1060A	DOOR KIT,10X60,A	1
13	UHB3	UTILITY HOOK BAR, 3	1



CAUTION: DRILL THRU FLOOR WITH CARE! WATCH FOR GAS TANK, CONTROL LINES, & ELECTRICAL WIRING.



906 James Street
Adrian, Michigan 49221
517.265.6194
WWW.ADRIANSTEEL.COM

ALL DESIGNS AND DESIGN CONCEPTS ARE THE INTELLECTUAL PROPERTY OF ADRIAN STEEL COMPANY AND ARE NOT TO BE COPIED, DISTRIBUTED OR COMMUNICATED TO OUTSIDE PARTIES WITHOUT THE WRITTEN PERMISSION OF ADRIAN STEEL COMPANY. THE MATERIAL/CONCEPTS/DESIGNS CONTAINED WITHIN THIS DOCUMENT ARE FOR THE PURPOSE OF SUPPLYING PRODUCT TO POTENTIAL ADRIAN STEEL COMPANY CUSTOMERS.

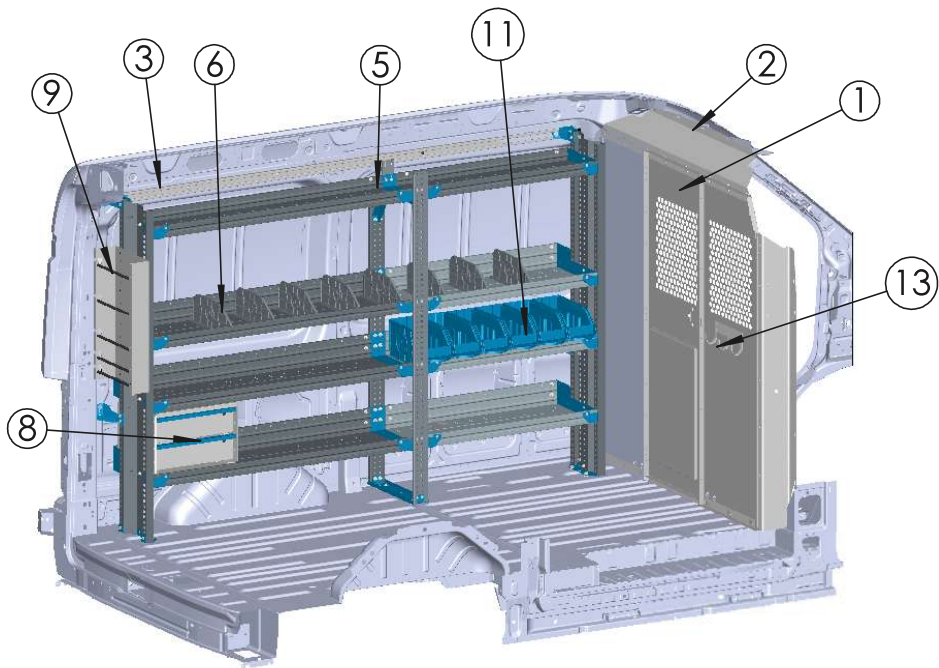
Drawn By: **GDR**
Date: **12-30-2025**
ECN No: **28974**
PDS No: **ELE-FTLR148B**

Customer: **ELECTRICAL STARTER PACKAGE**
Vehicle: **TRANSIT 148" WB LR**

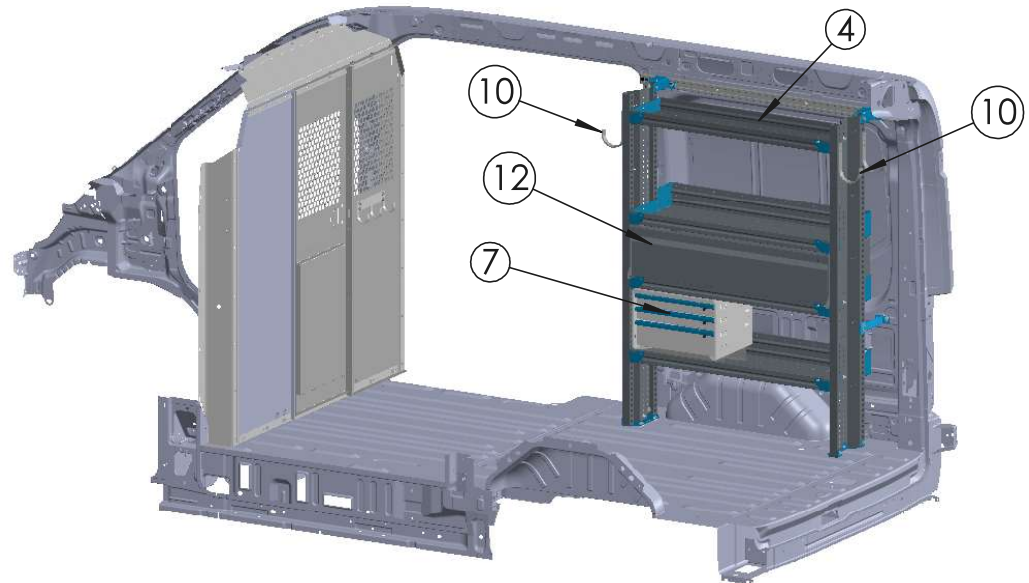
Package Weight: **466.14**

Sheet: **1 of 1**

Rev.: **C**



ITEM NO.	PART NUMBER	DESCRIPTION	QTY.
1	S1M2C2PM	SMC PANEL KIT, PM	1
2	WKC1FDTM2	WING KIT, FDTM, ICE/EV	1
3	ARKFTM130	RAIL KIT, FD MR 130	1
4	AS-2T1442FTMA	SF UNIT, 2T, 14X42, FTM, A, 4	1
5	AS-2T1490FTMA	SF UNIT, 2T, 14X90, FTM, A, 4	1
6	DIVK148	SHELF DIVIDER KIT, 14D, 8	1
7	ADUK1418A3C-RI	DRAWER UNIT, 14X18, A, 3, C, R	1
8	ADUK1418A2T-RI	DRAWER UNIT, 14X18, A, 3, C, R	1
9	WRH5	SPOOL HOLDER 6" 5-BAR	1
10	UH50	HOOK 5"	4
11	BIN614	BIN, 6W X 14D	6
12	ADK1042A	DOOR KIT, 10X42, A	1
13	UHB3	UTILITY HOOK BAR, 3	1



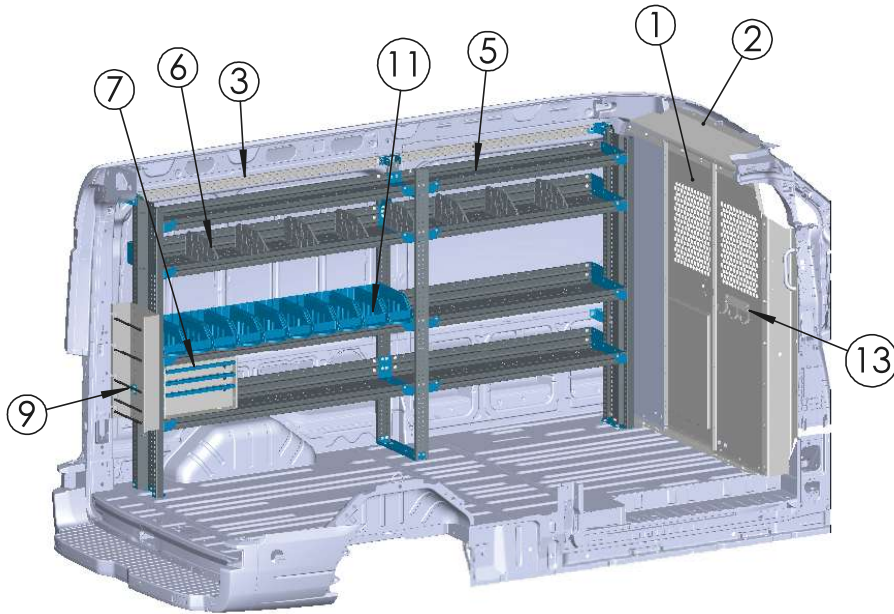
CAUTION: DRILL THRU FLOOR WITH CARE! WATCH FOR GAS TANK, CONTROL LINES, & ELECTRICAL WIRING.



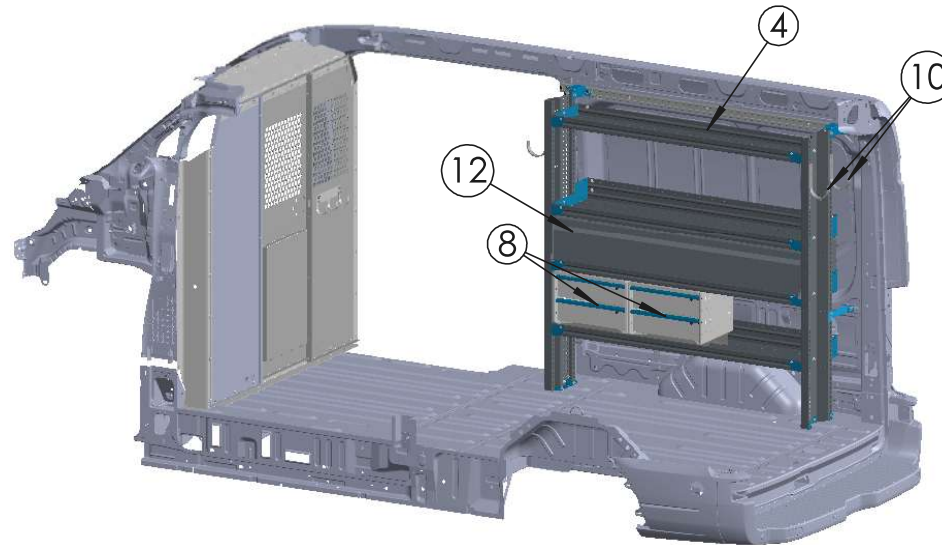
906 James Street
Adrian, Michigan 49221
517.265.6194
WWW.ADRIANSTEEL.COM

ALL DESIGNS AND DESIGN CONCEPTS ARE THE INTELLECTUAL PROPERTY OF ADRIAN STEEL COMPANY AND ARE NOT TO BE COPIED, DISTRIBUTED OR COMMUNICATED TO OUTSIDE PARTIES WITHOUT THE WRITTEN PERMISSION OF ADRIAN STEEL COMPANY.
THE MATERIAL/CONCEPTS/DESIGNS CONTAINED WITHIN THIS DOCUMENT ARE FOR THE PURPOSE OF SUPPLYING PRODUCT TO POTENTIAL ADRIAN STEEL COMPANY CUSTOMERS.

Drawn By:	GDR	Customer:	ELECTRICAL STARTER PACKAGE	
Date:	09/25/25	Vehicle:	TRANSIT 130" WB MR	
ECN No.:	28676	PDS No.:	ELE-FTMR130B	Package Weight:
			463.39	Sheet:
				1 of 1
				Rev.: B



ITEM NO.	PART NUMBER	DESCRIPTION	QTY.
1	S1M2C2PM	WING KIT, TRANSIT FS, MR, STD POS	1
2	WKC1FDTM2	WING KIT, FDTM, ICE/EV	1
3	ARKFTM148	RAIL KIT,FD TR MR 148	1
4	AS-2T1460FTMA	SF UNIT,2T,14X60,FTM,A,4	1
5	AS-2T14108FTMA	SF UNIT,2T,14X108,FTM,A,4	1
6	DIVK148	SHELF DIVIDER KIT,14D,8	1
7	ADUK1418A3C-RI	DRAWER UNIT,14X18,A,3,C,R	1
8	ADUK1418A2T-RI	DRAWER UNIT,14X18,A,3,C,R	2
9	WRH5	WIRE REEL HOLDER	1
10	UH50	HOOK 5"	4
11	BIN614	BIN, 6W X 14D	10
12	ADK1060A	DOOR KIT,10X60,A	1
13	UHB3	UTILITY HOOK BAR, 3	1



CAUTION: DRILL THRU FLOOR WITH CARE! WATCH FOR GAS TANK, CONTROL LINES, & ELECTRICAL WIRING.



906 James Street
Adrian, Michigan 49221
517.265.6194
WWW.ADRIANSTEEL.COM

ALL DESIGNS AND DESIGN CONCEPTS ARE THE INTELLECTUAL PROPERTY OF ADRIAN STEEL COMPANY AND ARE NOT TO BE COPIED, DISTRIBUTED OR COMMUNICATED TO OUTSIDE PARTIES WITHOUT THE WRITTEN PERMISSION OF ADRIAN STEEL COMPANY.
THE MATERIAL/CONCEPTS/DESIGNS CONTAINED WITHIN THIS DOCUMENT ARE FOR THE PURPOSE OF SUPPLYING PRODUCT TO POTENTIAL ADRIAN STEEL COMPANY CUSTOMERS.

Drawn By: **GDR**

Date: **09/26/25**

ECN No: **28676**

PDS No: **ELE-FTMR148E**

Customer:

ELECTRICAL STARTER PACKAGE

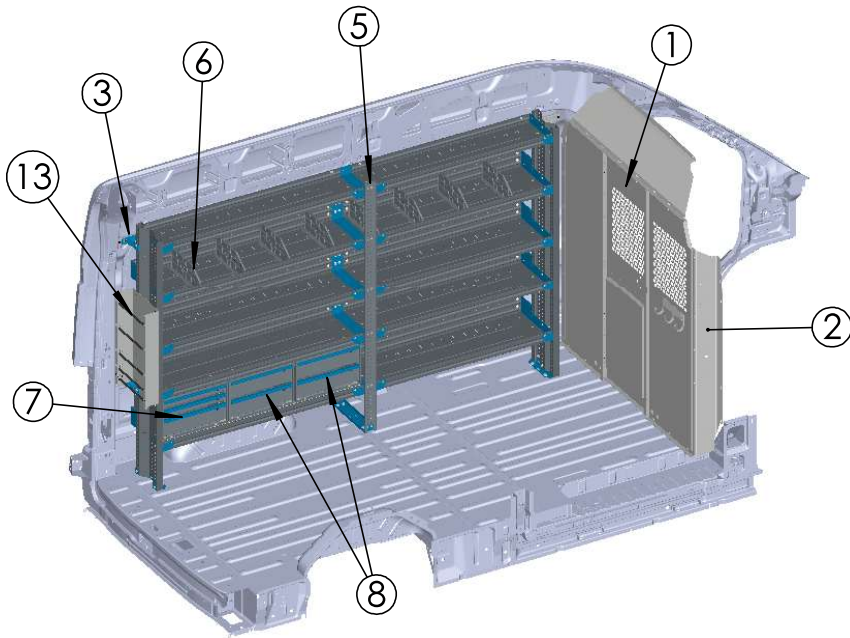
Vehicle

TRANSIT 148" WB MR

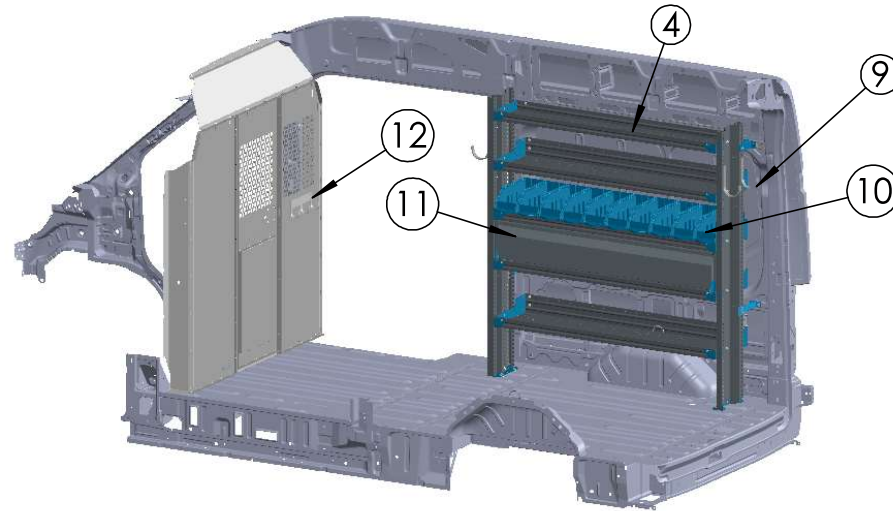
Package Weight: **542.92**

Sheet: **1 of 1**

Rev.: **B**



ITEM NO.	PART NUMBER	DESCRIPTION	QTY.
1	S1M2C2PM	SMC PANEL KIT, PM	1
2	WKC1FDTH2	WING KIT, FDTH, ICE/EV	1
3	ARKFTM148	RAIL KIT, FD TR MR 148	1
4	AS-2T1460FTHA	SF UNIT, 2T, 14X60, FTH, A, 5	1
5	AS-2T14102FTHA	SF UNIT, 2T, 14X102, FTH, A, 5	1
6	DIVK148	SHELF DIVIDER KIT, 14D, 8	1
7	ADUK1418A3C-RI	DRAWER UNIT, 14X18, A, 3, C, R	1
8	ADUK1418A2T-RI	DRAWER UNIT, 14X18, A, 2, T, R	2
9	UH50	HOOK 5"	4
10	BIN614	BIN, 6W X 14D	10
11	ADK1060A	DOOR KIT, 10X60, A	1
12	UHB3	UTILITY HOOK BAR, 3	1
13	WRH5	WIRE REEL HOLDER	1



CAUTION: DRILL THRU FLOOR WITH CARE! WATCH FOR GAS TANK, CONTROL LINES, & ELECTRICAL WIRING.



906 James Street
Adrian, Michigan 49221
517.265.6194
WWW.ADRIANSTEEL.COM

ALL DESIGNS AND DESIGN CONCEPTS ARE THE INTELLECTUAL PROPERTY OF ADRIAN STEEL COMPANY AND ARE NOT TO BE COPIED, DISTRIBUTED OR COMMUNICATED TO OUTSIDE PARTIES WITHOUT THE WRITTEN PERMISSION OF ADRIAN STEEL COMPANY. THE MATERIAL/CONCEPTS/DESIGNS CONTAINED WITHIN THIS DOCUMENT ARE FOR THE PURPOSE OF SUPPLYING PRODUCT TO POTENTIAL ADRIAN STEEL COMPANY CUSTOMERS.

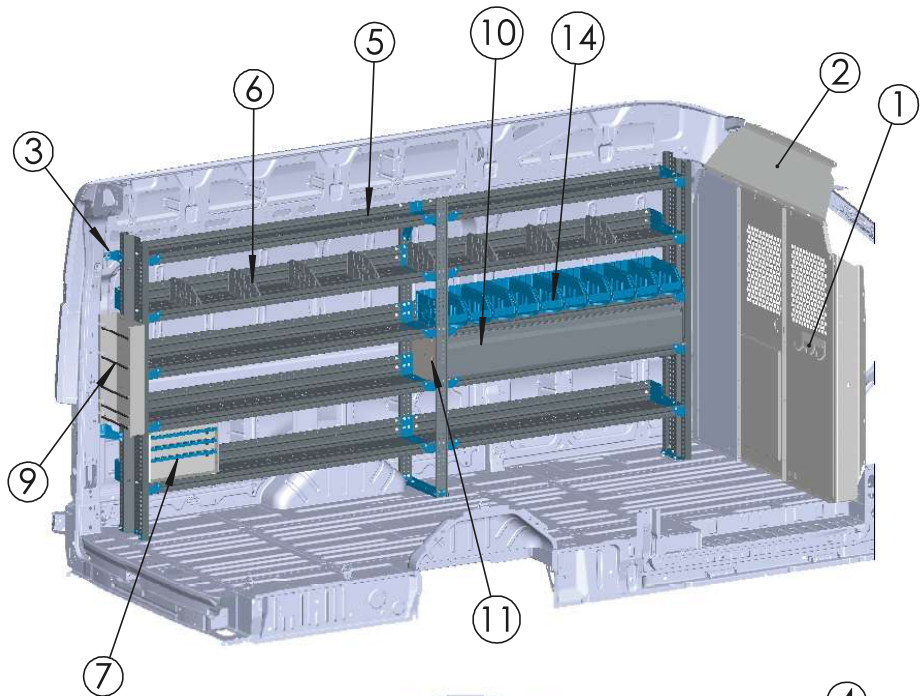
Drawn By: **GDR**
Date: **09/24/2025**
ECN No: **28676**
PDS No: **ELE-FTHR148B**

Customer: **ELECTRICAL STARTER PACKAGE**
Vehicle: **TRANSIT 148"WB HR**

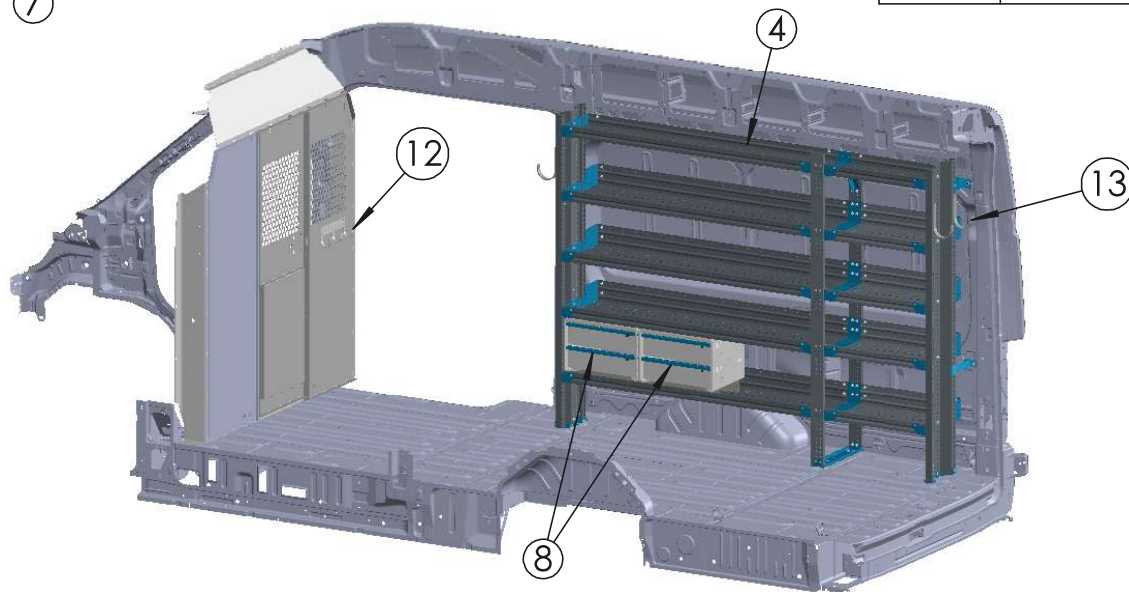
Package Weight: **466.14**

Sheet: **1 of 1**

Rev.: **B**



ITEM NO.	PART NUMBER	DESCRIPTION	QTY.
1	S1M2C2PM	SMC PANEL KIT, PM	1
2	WKC1FDTH2	WING KIT, FDTH, ICE/EV	1
3	ARKFTH148X	RAIL KIT,FD TR HR 148X	1
4	AS-2T1484FTHA	SF UNIT,2T,14X84,FTH,A,5	1
5	AS-2T14132FTHA	SF UNIT,2T,14X132,FTH,A,5	1
6	DIVK148	SHELF DIVIDER KIT,14D,8	1
7	ADUK1418A3C-RI	DRAWER UNIT,14X18,A,3,C,R	1
8	ADUK1418A2T-RI	DRAWER UNIT,14X18,A,3,C,R	2
9	WRH5	WIRE REEL HOLDER	1
10	ADK1060A	DOOR KIT,10X60,A	1
11	ADKFP14A	DOUBLE SHELVE 14" FILLER PANEL,DOOR KIT	1
12	UHB3	UTILITY HOOK BAR, 3	1
13	UH50	HOOK 5"	4
14	BIN614	BIN, 6W X 14D	10



CAUTION: DRILL THRU FLOOR WITH CARE! WATCH FOR GAS TANK, CONTROL LINES, & ELECTRICAL WIRING.



906 James Street
Adrian, Michigan 49221
517.265.6194
WWW.ADRIANSTEEL.COM

ALL DESIGNS AND DESIGN CONCEPTS ARE THE INTELLECTUAL PROPERTY OF ADRIAN STEEL COMPANY AND ARE NOT TO BE COPIED, DISTRIBUTED OR COMMUNICATED TO OUTSIDE PARTIES WITHOUT THE WRITTEN PERMISSION OF ADRIAN STEEL COMPANY.
THE MATERIAL/CONCEPTS/DESIGNS CONTAINED WITHIN THIS DOCUMENT ARE FOR THE PURPOSE OF SUPPLYING PRODUCT TO POTENTIAL ADRIAN STEEL COMPANY CUSTOMERS.

Drawn By: **GDR**

Date: **2-14-26**

ECN No: **29175**

PDS No: **ELE-FTHR148XB**

Customer:

ELECTRICAL STARTER PACKAGE

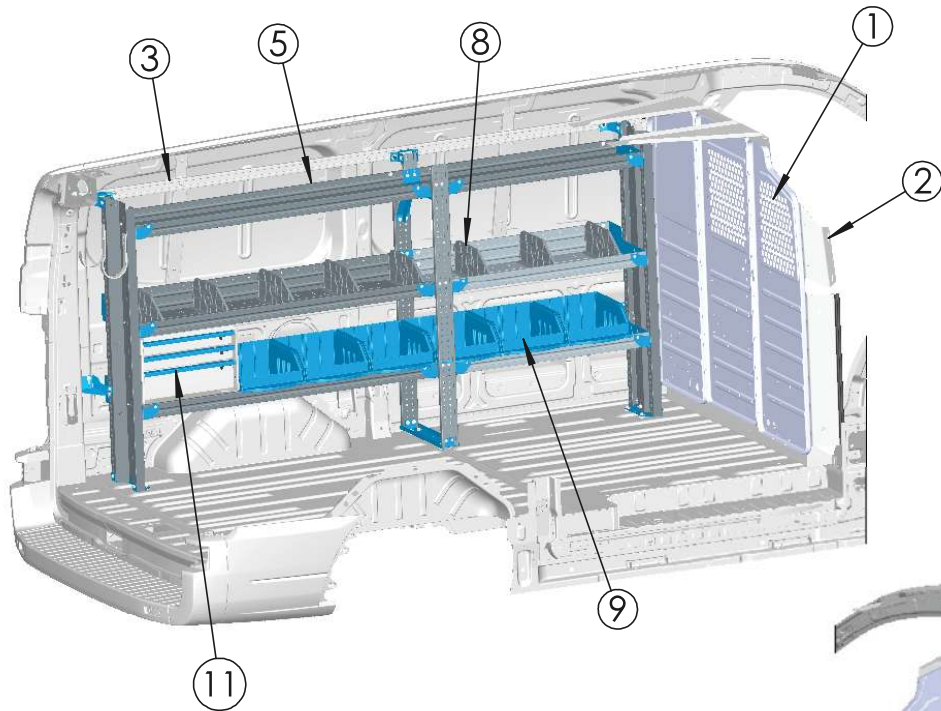
Vehicle

TRANSIT 148"EXT WB HR

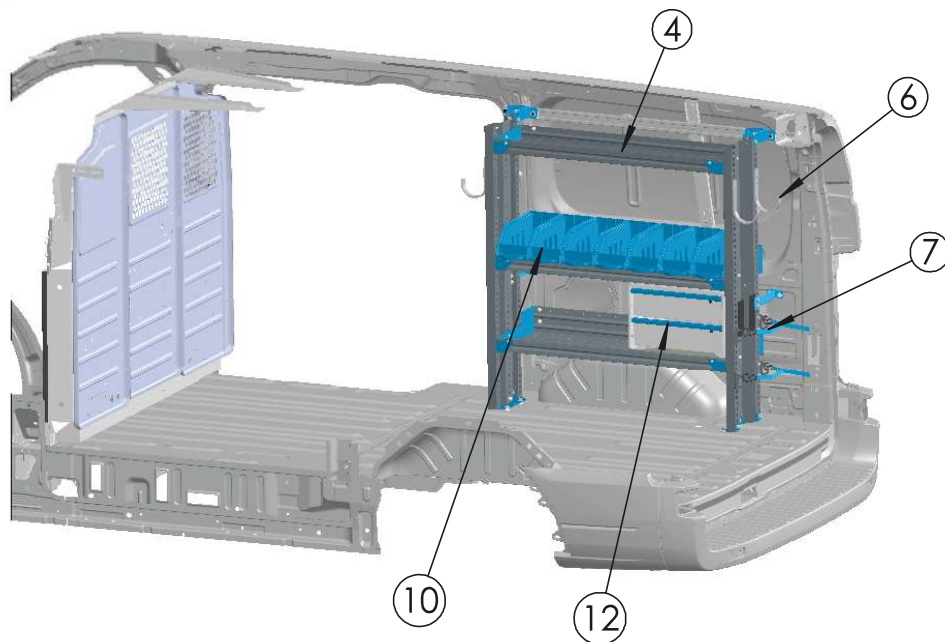
Package Weight: **687.02**

Sheet: **1 of 1**

Rev.: **C**



ITEM NO.	PART NUMBER	DESCRIPTION	QTY.
1	S1M2C2FSV	S1-M2-C2 PARTITION	1
2	WKC1TSOP-G	PAR INSTALL KIT, FT, LR	1
3	ARKFTL130	RAIL KIT,FD TR LR 130	1
4	AS-2T1442FTLA	SF UNIT,2T,14X42,FTL,A,3	1
5	AS-2T1490FTLA	SF UNIT,2T,14X90,FTL,A,3	1
6	UH50	HOOK 5"	6
7	1NTR	TANK HOLDER, NITROGEN	1
8	DIVK148	SHELF DIVIDER KIT,14D,8	1
9	BIN1214	BIN, 12W X 14D	6
10	BIN614	BIN, 6W X 14D	7
11	ADUK1418A3C-RI	DRAWER UNIT,14X18,A,3,C,R	1
12	ADUK1418A2T-RI	DRAWER UNIT,14X18,A,3,C,R	1



CAUTION: DRILL THRU FLOOR WITH CARE! WATCH FOR GAS TANK, CONTROL LINES, & ELECTRICAL WIRING.



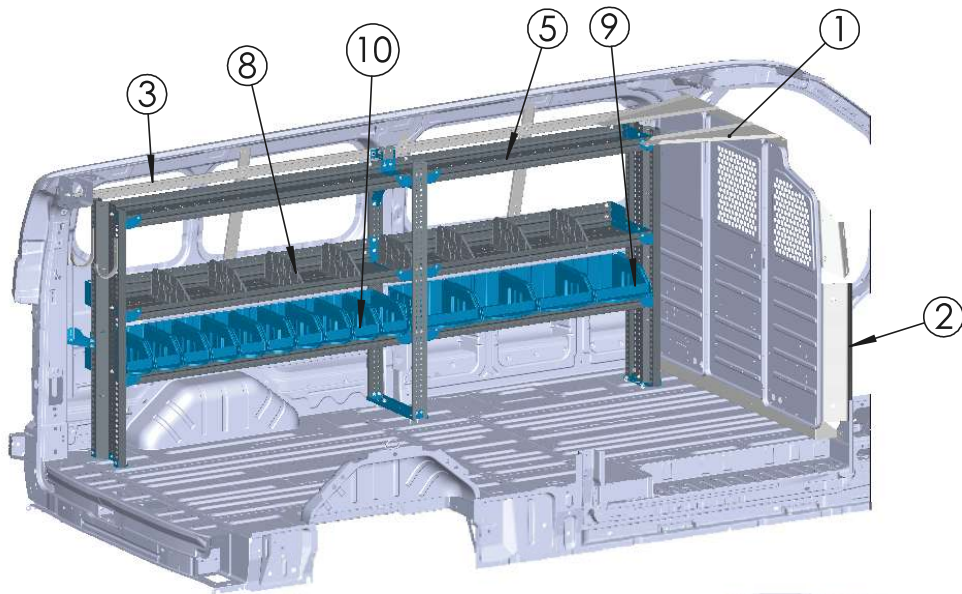
906 James Street
Adrian, Michigan 49221
517.265.6194
WWW.ADRIANSTEEL.COM

ALL DESIGNS AND DESIGN CONCEPTS ARE THE INTELLECTUAL PROPERTY OF ADRIAN STEEL COMPANY AND ARE NOT TO BE COPIED, DISTRIBUTED OR COMMUNICATED TO OUTSIDE PARTIES WITHOUT THE WRITTEN PERMISSION OF ADRIAN STEEL COMPANY. THE MATERIAL/CONCEPTS/DESIGNS CONTAINED WITHIN THIS DOCUMENT ARE FOR THE PURPOSE OF SUPPLYING PRODUCT TO POTENTIAL ADRIAN STEEL COMPANY CUSTOMERS.

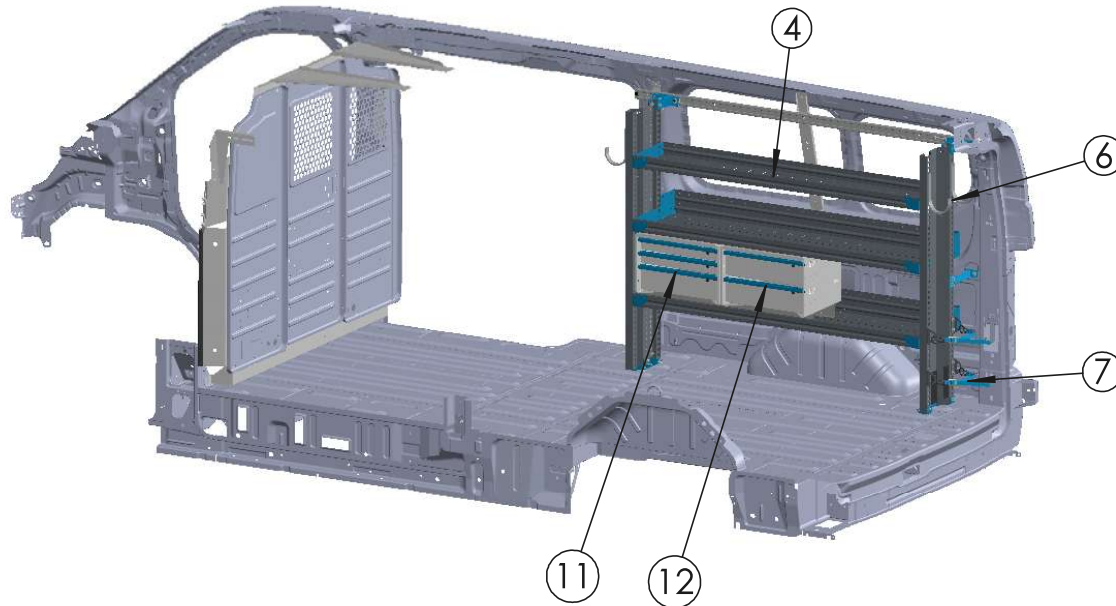
Drawn By: **GDR**
Date: **01-12-2026**
ECN No: **28974**
PDS No: **PLUM-FTLR130B**

Customer: **PLUMBING PACKAGE**
Vehicle: **TRANSIT 130"WB LR**

Package Weight: **372.98**
Sheet: **1 of 1**
Rev.: **B**



ITEM NO.	PART NUMBER	DESCRIPTION	QTY.
1	S1M2C2FSV	S1-M2-C2 PARTITION	1
2	WKC1TSOP-G	PAR INSTALL KIT, FT, LR	1
3	ARKFTL148	RAIL KIT, FD TR LR 148	1
4	AS-2T1460FTLA	SF UNIT,2T,14X60,FTL,A,3	1
5	AS-2T14108FTLA	SF UNIT,2T,14X108,FTL,A,3	1
6	UH50	HOOK 5"	6
7	1NTR	TANK HOLDER, NITROGEN	1
8	DIVK148	SHELF DIVIDER KIT,14D,8	1
9	BIN1214	BIN, 12W X 14D	4
10	BIN614	BIN, 6W X 14D	10
11	ADUK1418A3C-RI	DRAWER UNIT,14X18,A,3,C,R	1
12	ADUK1418A2T-RI	DRAWER UNIT,14X18,A,3,C,R	1



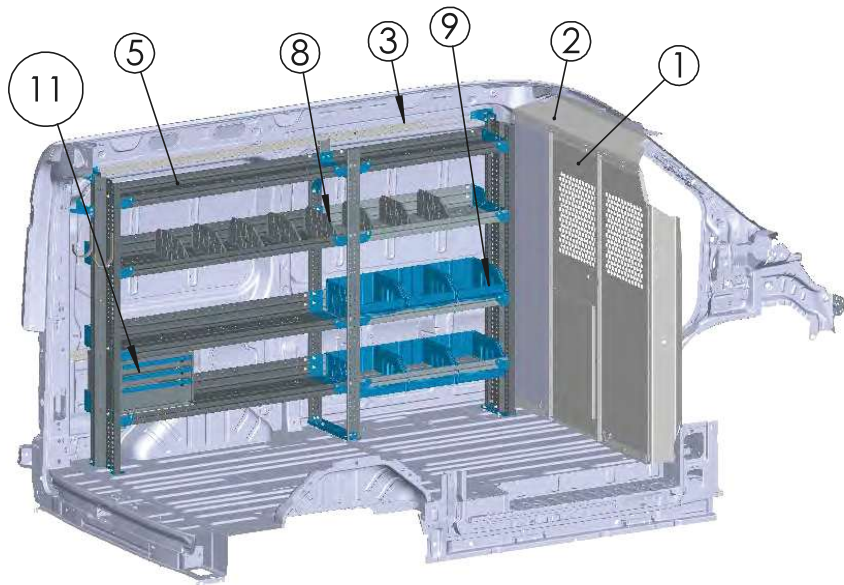
CAUTION: DRILL THRU FLOOR WITH CARE! WATCH FOR GAS TANK, CONTROL LINES, & ELECTRICAL WIRING.



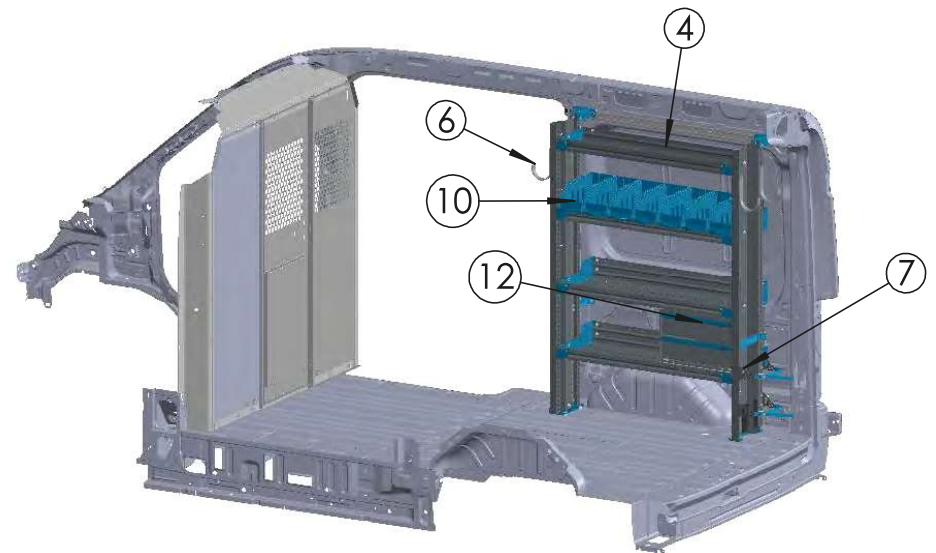
906 James Street
 Adrian, Michigan 49221
 517.265.6194
 WWW.ADRIANSTEEL.COM

ALL DESIGNS AND DESIGN CONCEPTS ARE THE INTELLECTUAL PROPERTY OF ADRIAN STEEL COMPANY AND ARE NOT TO BE COPIED, DISTRIBUTED OR COMMUNICATED TO OUTSIDE PARTIES WITHOUT THE WRITTEN PERMISSION OF ADRIAN STEEL COMPANY.
 THE MATERIAL/CONCEPTS/DESIGNS CONTAINED WITHIN THIS DOCUMENT ARE FOR THE PURPOSE OF SUPPLYING PRODUCT TO POTENTIAL ADRIAN STEEL COMPANY CUSTOMERS.

Drawn By:	GDR	Customer:	PLUMBING PACKAGE	
Date:	01-12-2026	Vehicle:	TRANSIT 148" WB LR	
ECN No:	28974	Package Weight:	397.17	Sheet: 1 of 1
PDS No:	PLUM-FTLR148B	Rev.:	B	



ITEM NO.	PART NUMBER	DESCRIPTION	QTY.
1	S1M2C2PM	SMC PANEL KIT, PM	1
2	WKC1FDTM2	WING KIT, FDTM, ICE/EV	1
3	ARKFTM130	RAIL KIT, FD MR 130	1
4	AS-2T1442FTMA	SF UNIT, 2T, 14X42, FTM, A, 4	1
5	AS-2T1490FTMA	SF UNIT, 2T, 14X90, FTM, A, 4	1
6	UH50	HOOK 5"	6
7	1NTR	TANK HOLDER, NITROGEN	1
8	DIVK148	SHELF DIVIDER KIT, 14D, 8	1
9	BIN1214	BIN, 12W X 14D	6
10	BIN614	BIN, 6W X 14D	7
11	ADUK1418A3C-RI	DRAWER UNIT, 14X18, A, 3, C, R	1
12	ADUK1418A2T-RI	DRAWER UNIT, 14X18, A, 2, T, R	1



CAUTION: DRILL THRU FLOOR WITH CARE! WATCH FOR GAS TANK, CONTROL LINES, & ELECTRICAL WIRING.



906 James Street
Adrian, Michigan 49221
517.265.6194
WWW.ADRIANSTEEL.COM

ALL DESIGNS AND DESIGN CONCEPTS ARE THE INTELLECTUAL PROPERTY OF ADRIAN STEEL COMPANY AND ARE NOT TO BE COPIED, DISTRIBUTED OR COMMUNICATED TO OUTSIDE PARTIES WITHOUT THE WRITTEN PERMISSION OF ADRIAN STEEL COMPANY.
THE MATERIAL/CONCEPTS/DESIGNS CONTAINED WITHIN THIS DOCUMENT ARE FOR THE PURPOSE OF SUPPLYING PRODUCT TO POTENTIAL ADRIAN STEEL COMPANY CUSTOMERS.

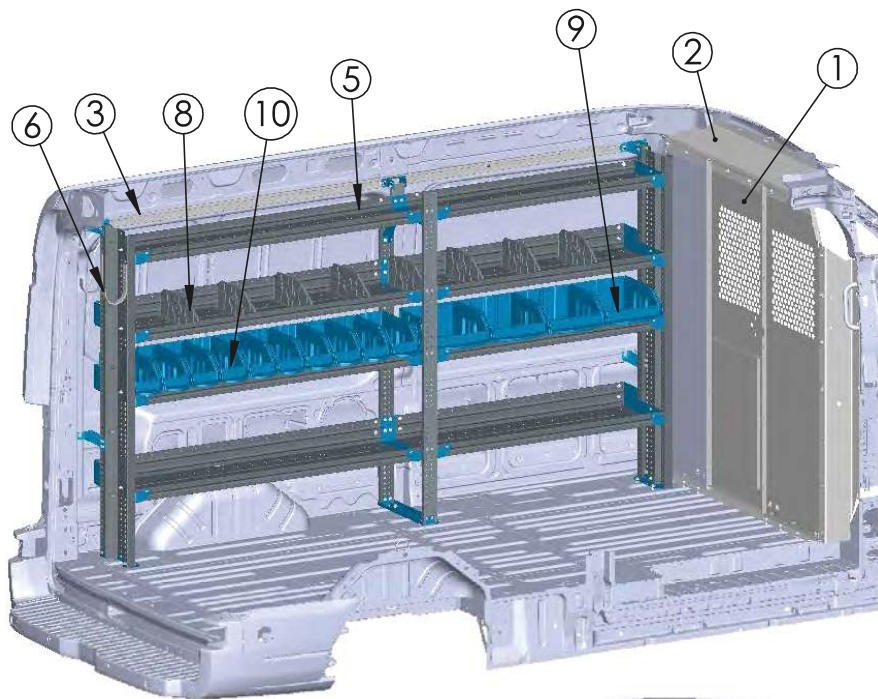
Drawn By: **GDR**
Date: **07/30/2025**
ECN No: **28499**
PDS No: **PLUM-FTMR130B**

Customer: **PLUMBING PACKAGE**
Vehicle: **TRANSIT 130" WB MR**

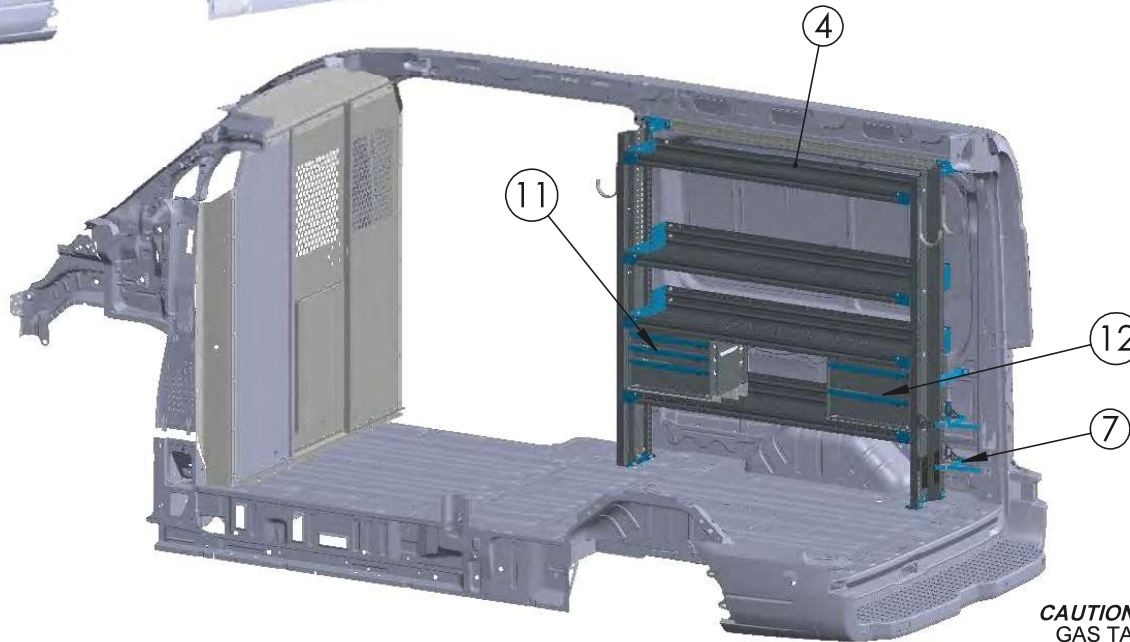
Package Weight: **439.27**

Sheet: **1 of 1**

Rev.: **A**



ITEM NO.	PART NUMBER	DESCRIPTION	QTY.
1	S1M2C2PM	WING KIT, TRANSIT FS, MR, STD POS	1
2	WKC1FDTM2	WING KIT, FDTM, ICE/EV	1
3	ARKFTM148	RAIL KIT,FD TR MR 148	1
4	AS-2T1460FTMA	SF UNIT,2T,14X60,FTM,A,4	1
5	AS-2T14108FTMA	SF UNIT,2T,14X108,FTM,A,4	1
6	UH50	HOOK 5"	6
7	1NTR	TANK HOLDER, NITROGEN	1
8	DIVK148	SHELF DIVIDER KIT,14D,8	1
9	BIN1214	BIN, 12W X 14D	4
10	BIN614	BIN, 6W X 14D	10
11	ADUK1418A3C-RI	DRAWER UNIT,14X18,A,3,C,R	1
12	ADUK1418A2T-RI	DRAWER UNIT,14X18,A,2,T,R	1



CAUTION: DRILL THRU FLOOR WITH CARE! WATCH FOR GAS TANK, CONTROL LINES, & ELECTRICAL WIRING.



906 James Street
Adrian, Michigan 49221
517.265.6194
WWW.ADRIANSTEEL.COM

ALL DESIGNS AND DESIGN CONCEPTS ARE THE INTELLECTUAL PROPERTY OF ADRIAN STEEL COMPANY AND ARE NOT TO BE COPIED, DISTRIBUTED OR COMMUNICATED TO OUTSIDE PARTIES WITHOUT THE WRITTEN PERMISSION OF ADRIAN STEEL COMPANY. THE MATERIAL/CONCEPTS/DESIGNS CONTAINED WITHIN THIS DOCUMENT ARE FOR THE PURPOSE OF SUPPLYING PRODUCT TO POTENTIAL ADRIAN STEEL COMPANY CUSTOMERS.

Drawn By: **GDR**

Date: **07/30/2025**

ECN No: **28499**

PDS No: **PLUM-FTMR148B**

Customer:

PLUMBING PACKAGE

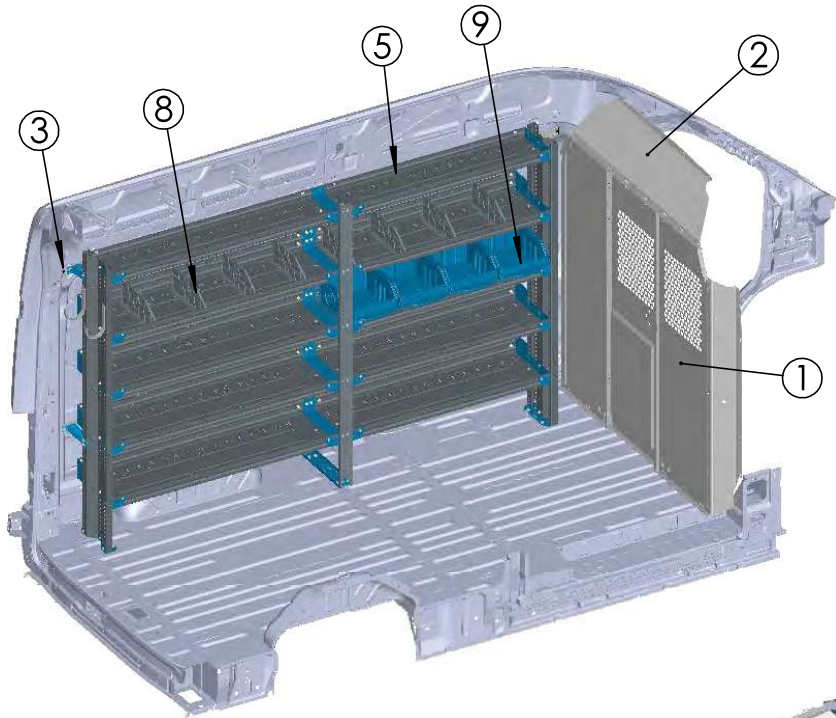
Vehicle

TRANSIT 148" WB MR

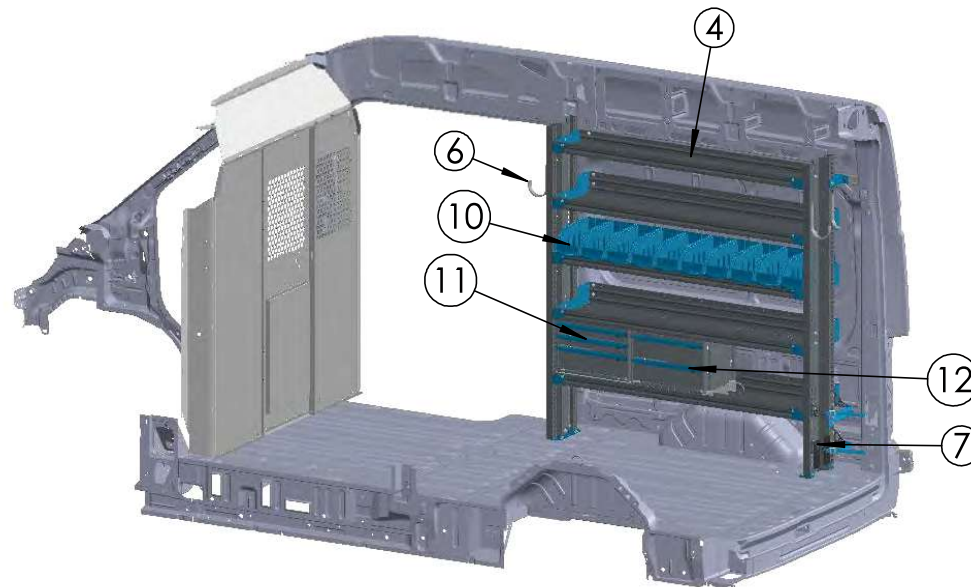
Package Weight: **482.61**

Sheet: **1 of 1**

Rev.: **A**



ITEM NO.	PART NUMBER	DESCRIPTION	QTY.
1	S1M2C2PM	SMC PANEL KIT, PM	1
2	WKC1FDTH2	WING KIT, FDTH, ICE/EV	1
3	ARKFTM148	RAIL KIT,FD TR MR 148	1
4	AS-2T1460FTHA	SF UNIT,2T,14X60,FTH,A,5	1
5	AS-2T14102FTHA	SF UNIT,2T,14X102,FTH,A,5	1
6	UH50	HOOK 5"	6
7	1NTR	TANK HOLDER, NITROGEN	1
8	DIVK148	SHELF DIVIDER KIT,14D,8	1
9	BIN1214	BIN, 12W X 14D	4
10	BIN614	BIN, 6W X 14D	10
11	ADUK1418A3C-RI	DRAWER UNIT,14X18,A,3,C,R	1
12	ADUK1418A2T-RI	DRAWER UNIT,14X18,A,2,T,R	1



CAUTION: DRILL THRU FLOOR WITH CARE! WATCH FOR GAS TANK, CONTROL LINES, & ELECTRICAL WIRING.



906 James Street
Adrian, Michigan 49221
517.265.6194
WWW.ADRIANSTEEL.COM

ALL DESIGNS AND DESIGN CONCEPTS ARE THE INTELLECTUAL PROPERTY OF ADRIAN STEEL COMPANY AND ARE NOT TO BE COPIED, DISTRIBUTED OR COMMUNICATED TO OUTSIDE PARTIES WITHOUT THE WRITTEN PERMISSION OF ADRIAN STEEL COMPANY. THE MATERIAL/CONCEPTS/DESIGNS CONTAINED WITHIN THIS DOCUMENT ARE FOR THE PURPOSE OF SUPPLYING PRODUCT TO POTENTIAL ADRIAN STEEL COMPANY CUSTOMERS.

Drawn By: **GDR**

Date: **08/05/2025**

ECN No: **28499**

PDS No: **PLUM-FTHR148B**

Customer:

PLUMBING STARTER PACKAGE

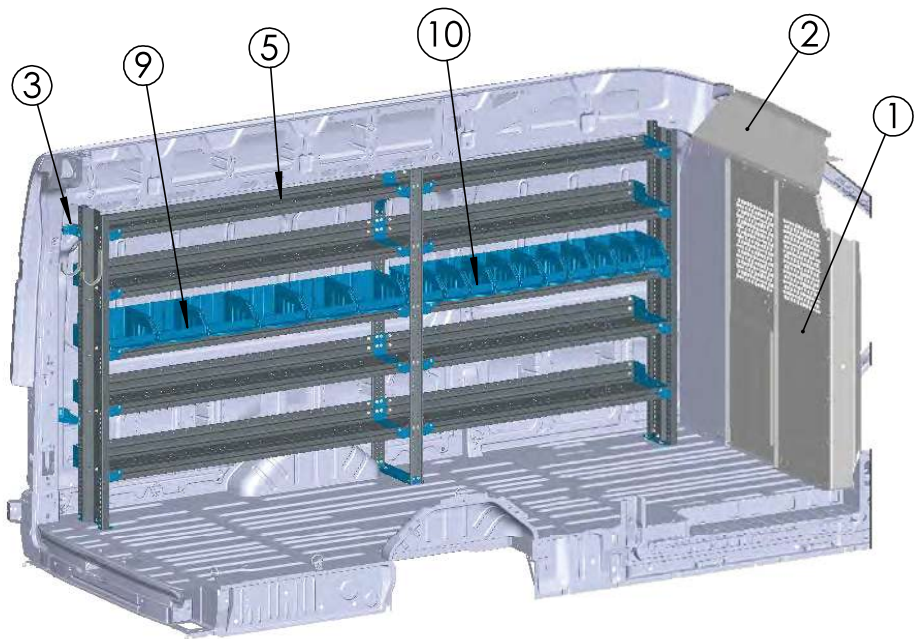
Vehicle

TRANSIT 148"WB HR

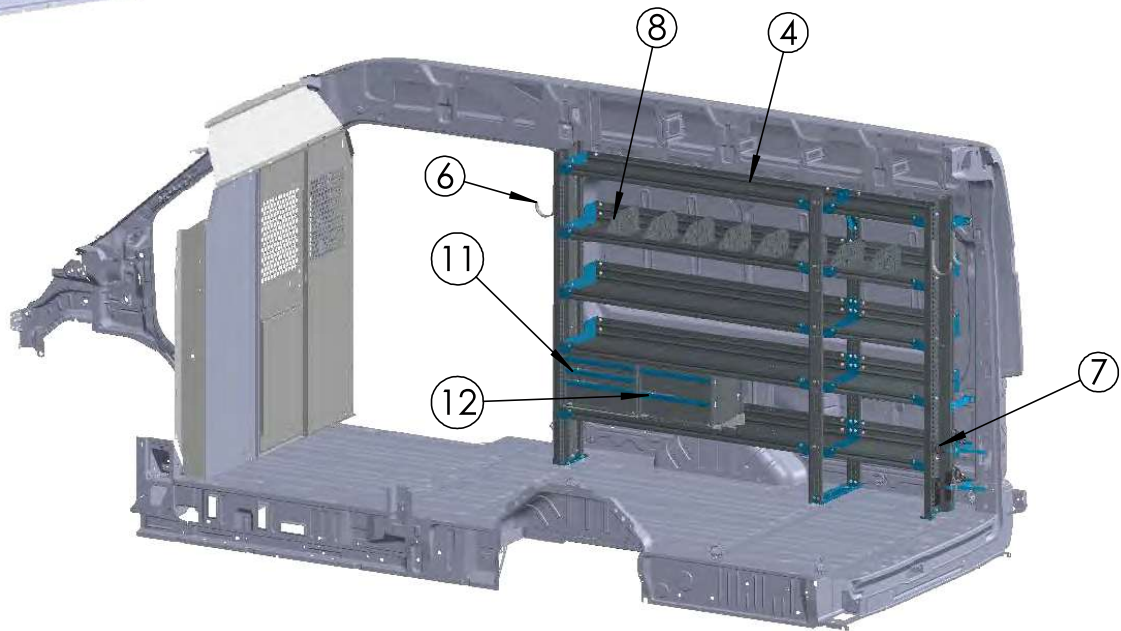
Package Weight: **536.96**

Sheet: **1 of 1**

Rev.: **A**



ITEM NO.	PART NUMBER	DESCRIPTION	QTY.
1	S1M2C2PM	SMC PANEL KIT, PM	1
2	WKC1FDTH2	WING KIT, FDTH, ICE/EV	1
3	ARKFTH148X	RAIL KIT,FD TR HR 148X	1
4	AS-2T1484FTHA	SF UNIT,2T,14X84,FTH,A,5	1
5	AS-2T14132FTHA	SF UNIT,2T,14X132,FTH,A,5	1
6	UH50	HOOK 5"	6
7	1NTR	TANK HOLDER, NITROGEN	1
8	DIVK148	SHELF DIVIDER KIT,14D,8	1
9	BIN1214	BIN, 12W X 14D	6
10	BIN614	BIN, 6W X 14D	10
11	ADUK1418A3C-RI	DRAWER UNIT,14X18,A,3,C,R	1
12	ADUK1418A2T-RI	DRAWER UNIT,14X18,A,2,T,R	1



CAUTION: DRILL THRU FLOOR WITH CARE! WATCH FOR GAS TANK, CONTROL LINES, & ELECTRICAL WIRING.



906 James Street
Adrian, Michigan 49221
517.265.6194
WWW.ADRIANSTEEL.COM

ALL DESIGNS AND DESIGN CONCEPTS ARE THE INTELLECTUAL PROPERTY OF ADRIAN STEEL COMPANY AND ARE NOT TO BE COPIED, DISTRIBUTED OR COMMUNICATED TO OUTSIDE PARTIES WITHOUT THE WRITTEN PERMISSION OF ADRIAN STEEL COMPANY. THE MATERIAL/CONCEPTS/DESIGNS CONTAINED WITHIN THIS DOCUMENT ARE FOR THE PURPOSE OF SUPPLYING PRODUCT TO POTENTIAL ADRIAN STEEL COMPANY CUSTOMERS.

Drawn By: **GDR**

Date: **08/05/2025**

ECN No: **28499**

PDS No: **PLUM-FTHR148XB**

Customer:

PLUMBING PACKAGE

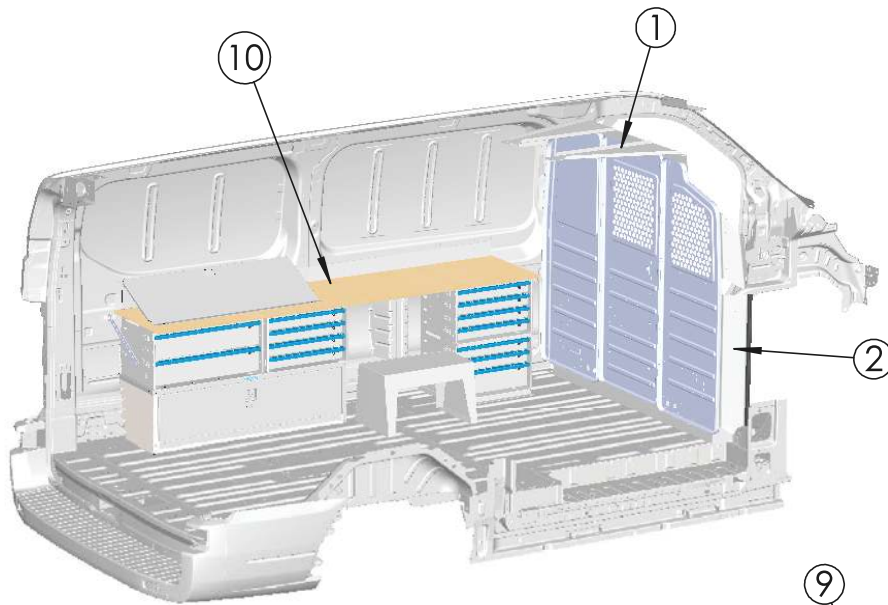
Vehicle

TRANSIT 148"EXT WB HR

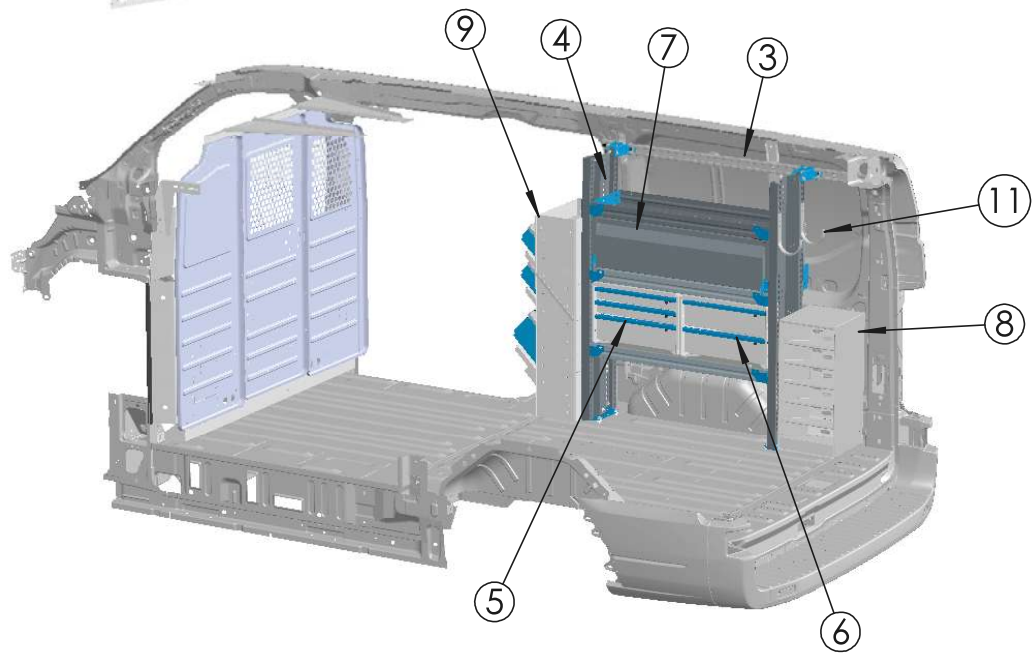
Package Weight: **631.38**

Sheet: **1 of 1**

Rev.: **A**



ITEM NO.	PART NUMBER	DESCRIPTION	QTY.
1	S1M2C2FSV	S1-M2-C2 PARTITION	1
2	WKC1TSOP-G	PAR INSTALL KIT, FT, LR	1
3	ARKFTL130PS	RAIL KIT,FD TR LR 130,PS	1
4	AS-2T1436FTLA	SF UNIT,2T,14X36,FTL,A,3	1
5	ADUK1418A3C-RI	DRAWER UNIT,14X18,A,3,C,R	1
6	ADUK1418A2T-RI	DRAWER UNIT,14X18,A,2,T,R	1
7	ADK1036A	DOOR KIT,10X36,A	1
8	17A	CATALOG FILE 6 SHELF	1
9	CH-EP	CASE HOLDER, T-SATCHELS	1
10	AWB1-18X84	WORKBENCH MODULE 18X25X84	1
11	UH50	HOOK 5"	2

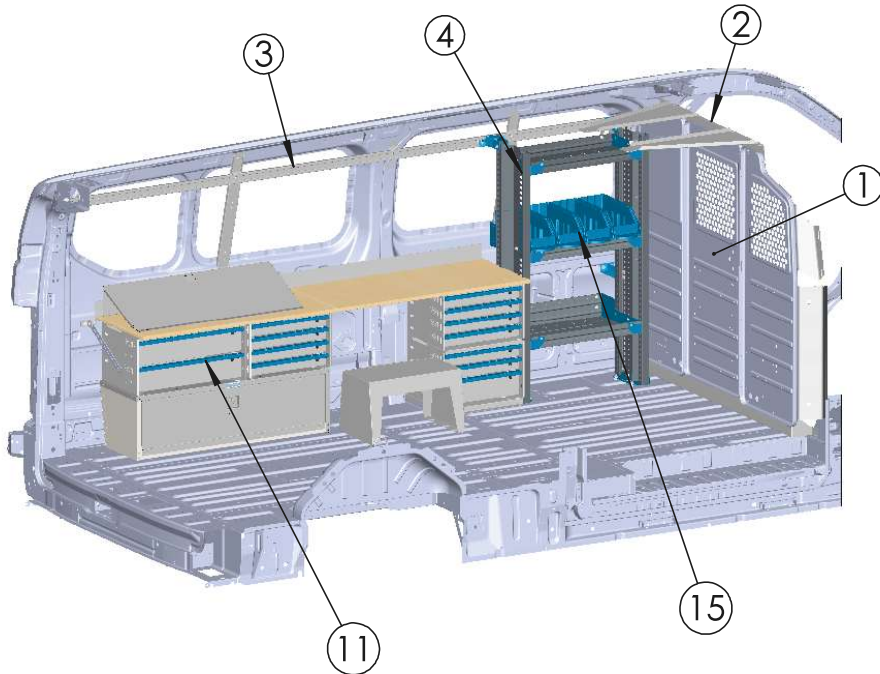


CAUTION: DRILL THRU FLOOR WITH CARE! WATCH FOR GAS TANK, CONTROL LINES, & ELECTRICAL WIRING.

ADRIAN STEEL
 906 James Street
 Adrian, Michigan 49221
 517.265.6194
 WWW.ADRIANSTEEL.COM

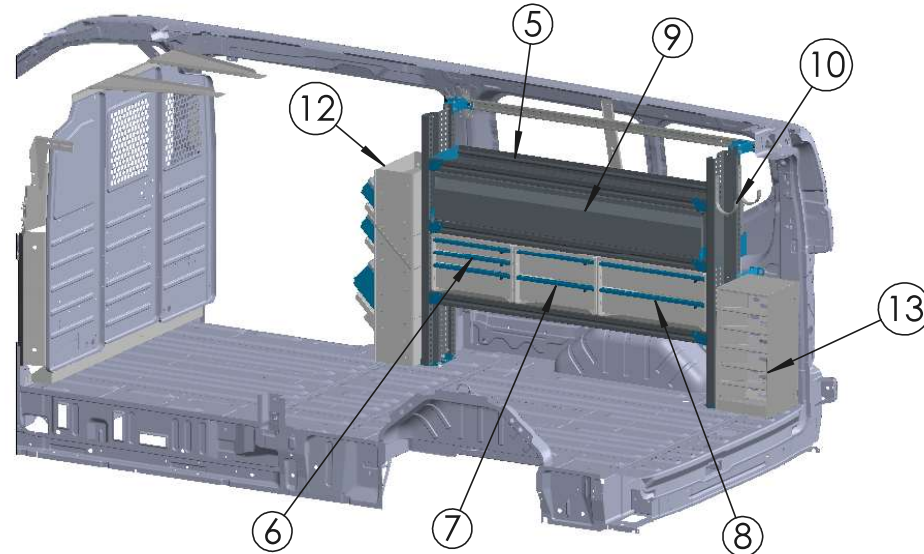
ALL DESIGNS AND DESIGN CONCEPTS ARE THE INTELLECTUAL PROPERTY OF ADRIAN STEEL COMPANY AND ARE NOT TO BE COPIED, DISTRIBUTED OR COMMUNICATED TO OUTSIDE PARTIES WITHOUT THE WRITTEN PERMISSION OF ADRIAN STEEL COMPANY.
 THE MATERIAL/CONCEPTS/DESIGNS CONTAINED WITHIN THIS DOCUMENT ARE FOR THE PURPOSE OF SUPPLYING PRODUCT TO POTENTIAL ADRIAN STEEL COMPANY CUSTOMERS.

Drawn By: W. COLLINS	Customer: LOCKSMITH PACKAGE
Date: 01-08-2026	
ECN No: 28974	Vehicle TRANSIT 130" WB LR
PDS No: LOCK-FTLR130	Package Weight: 494.776
	Sheet: 1 of 1
	Rev.: B



ITEM NO.	PART NUMBER	DESCRIPTION	QTY.
1	S1M2C2FSV	S1-M2-C2 PARTITION	1
2	WKC1FTSOP-G	PAR INSTALL KIT, FT, LR	1
3	ARKFTL148	RAIL KIT, FD TR LR 148	1
4	AS-2T1424FTLA	SF UNIT,2T,14X24,FTL,A,3	1
5	AS-2T1460FTLA	SF UNIT,2T,14X60,FTL,A,3	1
6	ADUK1418A3C-RI	DRAWER UNIT,14X18,A,3,C,R	1
7	ADUK1418A2T-RI	DRAWER UNIT,14X18,A,2,T,R	1
8	ADUK1424A2T-RI	DRAWER UNIT,14X18,A,3,C,R	1
9	ADK1060A	DOOR KIT,10X60,A	1
10	UH50	HOOK 5"	2
11	AWB1-18X84	WORKBENCH MODULE 18X25X84	1
12	CH-EP	CASE HOLDER, T-SATCHELS	1
13	17A	CATALOG FILE 6 SHELF	1
15	BIN614	BIN, 6W X 14D	4

NOTE: INSTALL AWB1-18X84 OFF-CENTER OF THE WHEEL WELL TOWARDS THE REAR OF THE VEHICLE.



CAUTION: DRILL THRU FLOOR WITH CARE! WATCH FOR GAS TANK, CONTROL LINES, & ELECTRICAL WIRING.



906 James Street
Adrian, Michigan 49221
517.265.6194
WWW.ADRIANSTEEL.COM

ALL DESIGNS AND DESIGN CONCEPTS ARE THE INTELLECTUAL PROPERTY OF ADRIAN STEEL COMPANY AND ARE NOT TO BE COPIED, DISTRIBUTED OR COMMUNICATED TO OUTSIDE PARTIES WITHOUT THE WRITTEN PERMISSION OF ADRIAN STEEL COMPANY. THE MATERIAL/CONCEPTS/DESIGNS CONTAINED WITHIN THIS DOCUMENT ARE FOR THE PURPOSE OF SUPPLYING PRODUCT TO POTENTIAL ADRIAN STEEL COMPANY CUSTOMERS.

Drawn By: **W. COLLINS**

Date: **01-08-2026**

ECN No: **28974**

PDS No: **LOCK-FTLR148**

Customer:

**LOCKSMITH
PACKAGE**

Vehicle

TRANSIT 148" WB LR

Package Weight:

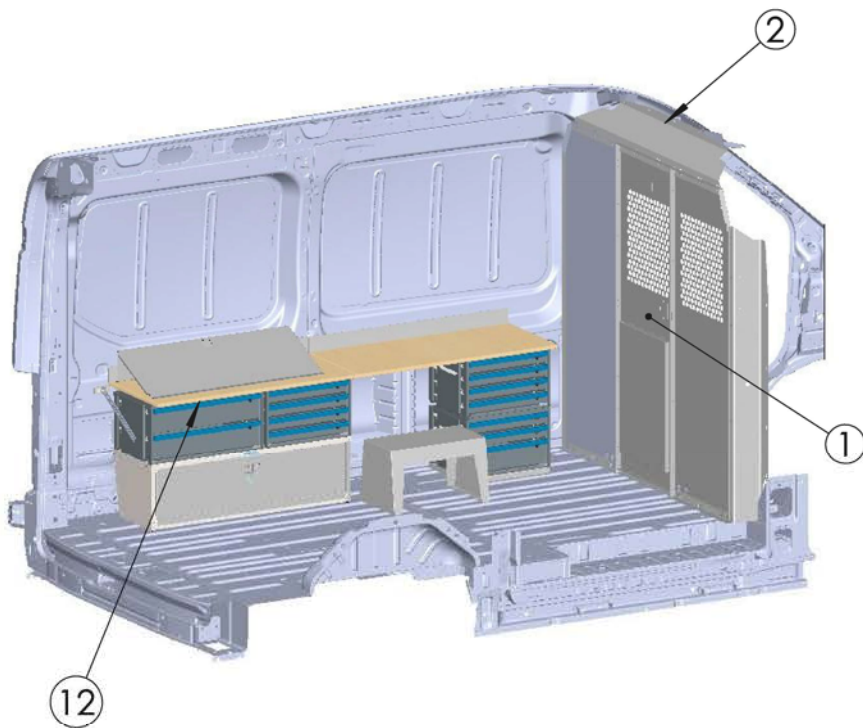
628.17

Sheet:

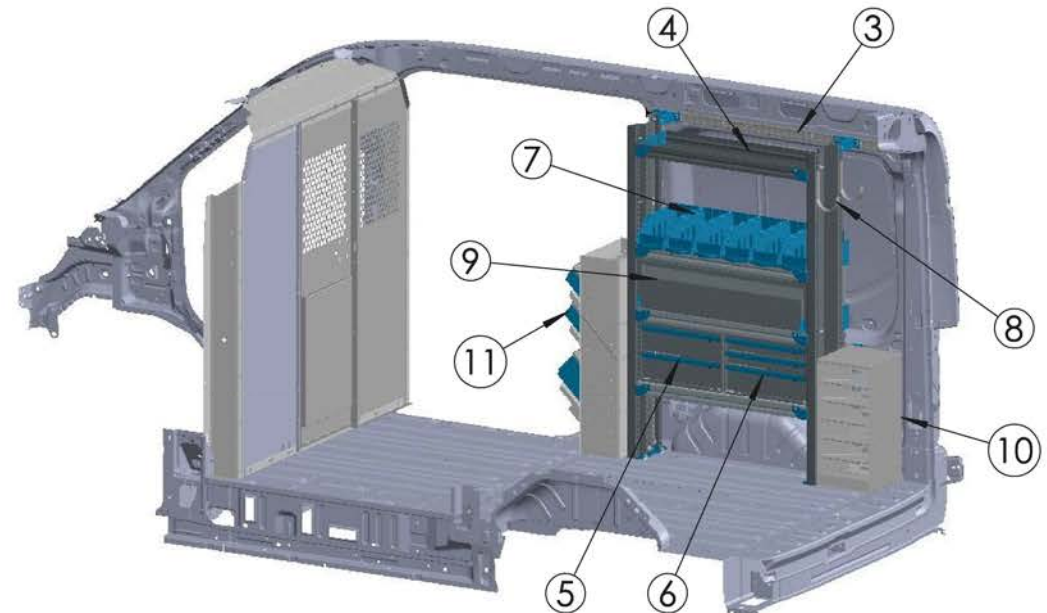
1 of 1

Rev.:

B



ITEM NO.	PART NUMBER	DESCRIPTION	QTY.
1	S1M2C2PM	SMC PANEL KIT, PM	1
2	WKC1FDTM2	WING KIT, FDTM, ICE/EV	1
3	ARKFTM130PS	RAIL KIT,FD TR MR 130,PS	1
4	AS-2T1436FTMA	SF UNIT,2T,14X36,FTM,A,4	1
5	ADUK1418A2T-RI	DRAWER UNIT,14X18,A,2,T,R	1
6	ADUK1418A3C-RI	DRAWER UNIT,14X18,A,3,C,R	1
7	BIN614	BIN, 6W X 14D	6
8	UH50	HOOK 5"	2
9	ADK1036A	DOOR KIT,10X36,A	1
10	17A	CATALOG FILE 6 SHELF	1
11	CH-EP	CASE HOLDER, T-SATCHELS	1
12	AWB1-18X84	WORKBENCH MODULE 18X25X84	1



CAUTION: DRILL THRU FLOOR WITH CARE! WATCH FOR GAS TANK, CONTROL LINES, & ELECTRICAL WIRING.



906 James Street
Adrian, Michigan 49221
517.265.6194
WWW.ADRIANSTEEL.COM

ALL DESIGNS AND DESIGN CONCEPTS ARE THE INTELLECTUAL PROPERTY OF ADRIAN STEEL COMPANY AND ARE NOT TO BE COPIED, DISTRIBUTED OR COMMUNICATED TO OUTSIDE PARTIES WITHOUT THE WRITTEN PERMISSION OF ADRIAN STEEL COMPANY.
THE MATERIAL/CONCEPTS/DESIGNS CONTAINED WITHIN THIS DOCUMENT ARE FOR THE PURPOSE OF SUPPLYING PRODUCT TO POTENTIAL ADRIAN STEEL COMPANY CUSTOMERS.

Drawn By: **W. COLLINS**

Date: **10/23/2025**

ECN No: **28721**

PDS No: **LOCK-FTMR130**

Customer:

LOCKSMITH PACKAGE

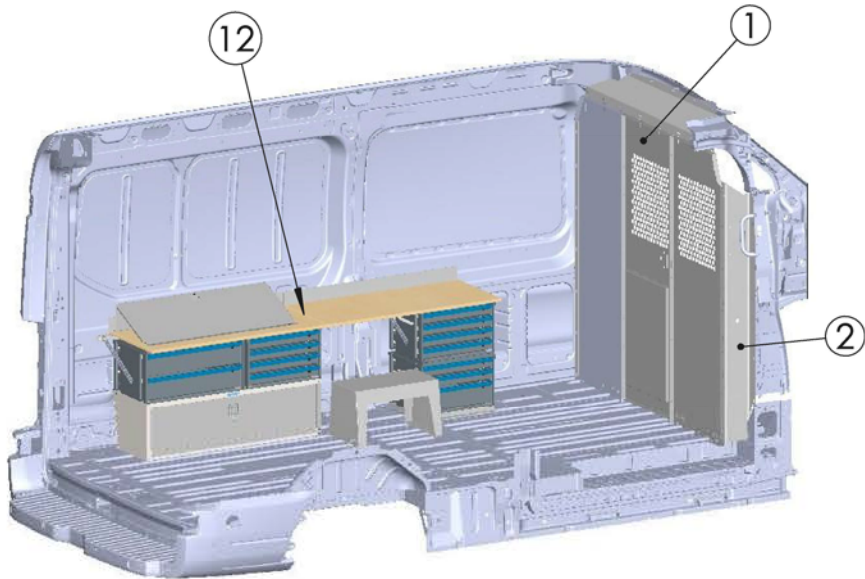
Vehicle

TRANSIT 130" WB MR

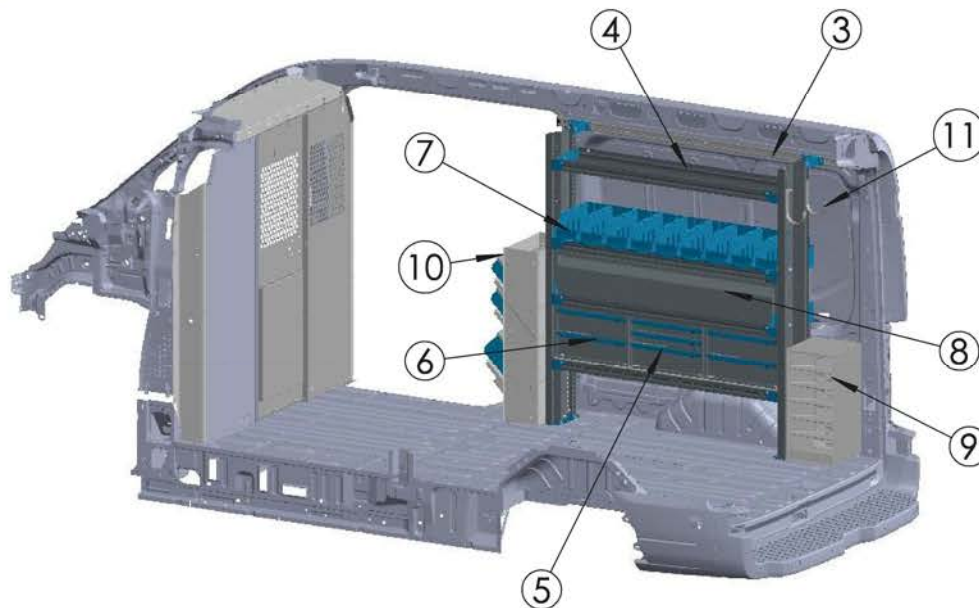
Package Weight: **551.30**

Sheet: **1 of 1**

Rev.: **A**



ITEM NO.	PART NUMBER	DESCRIPTION	QTY.
1	S1M2C2PM	SMC PANEL KIT, PM	1
2	WKC1FDTM2	WING KIT, FDTM, ICE/EV	1
3	ARKFTM148PS	RAIL KIT,FD TR MR 148,PS	1
4	AS-2T1454FTMA	SF UNIT,2T,14X54,FTM,A,4	1
5	ADUK1418A3C-RI	DRAWER UNIT,14X18,A,3,C,R	1
6	ADUK1418A2T-RI	DRAWER UNIT,14X18,A,2,T,R	2
7	BIN614	BIN, 6W X 14D	9
8	ADK1054A	DOOR KIT,10X54,A	1
9	17A	CATALOG FILE 6 SHELF	1
10	CH-EP	CASE HOLDER, T-SATCHELS	1
11	UH50	HOOK 5"	2
12	AWB1-18X84	WORKBENCH MODULE 18X25X84	1



CAUTION: DRILL THRU FLOOR WITH CARE! WATCH FOR GAS TANK, CONTROL LINES, & ELECTRICAL WIRING.

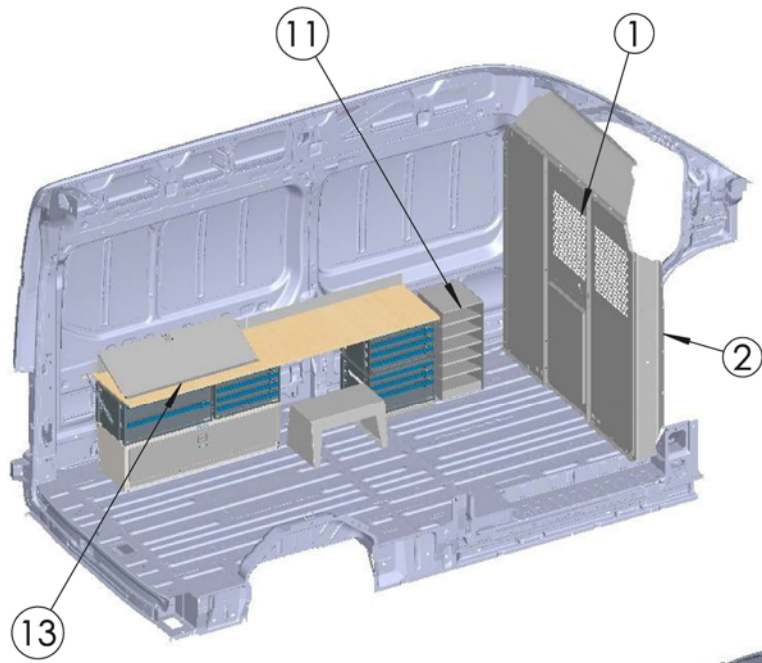


ADRIAN STEEL
 Cargo Management Solutions by Commercial Vehicles
 906 James Street
 Adrian, Michigan 49221
 517.265.6194
 WWW.ADRIANSTEEL.COM

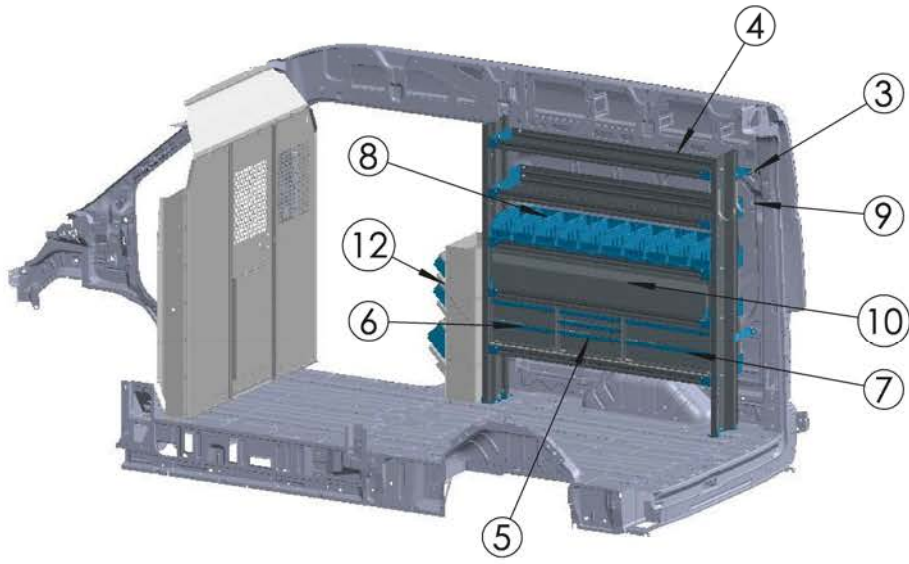
ALL DESIGNS AND DESIGN CONCEPTS ARE THE INTELLECTUAL PROPERTY OF ADRIAN STEEL COMPANY AND ARE NOT TO BE COPIED, DISTRIBUTED OR COMMUNICATED TO OUTSIDE PARTIES WITHOUT THE WRITTEN PERMISSION OF ADRIAN STEEL COMPANY.
 THE MATERIAL/CONCEPTS/DESIGNS CONTAINED WITHIN THIS DOCUMENT ARE FOR THE PURPOSE OF SUPPLYING PRODUCT TO POTENTIAL ADRIAN STEEL COMPANY CUSTOMERS.

Drawn By: **W. COLLINS**
 Date: **10/24/2025**
 ECN No: **28721**
 PDS No: **LOCK-FTMR148**

Customer: **LOCKSMITH PACKAGE**
 Vehicle: **TRANSIT 148" WB MR**
 Package Weight: **605.98**
 Sheet: **1 of 1**
 Rev.: **A**



ITEM NO.	PART NUMBER	DESCRIPTION	QTY.
1	S1M2C2PM	SMC PANEL KIT, PM	1
2	WKC1FDTH2	WING KIT, FDTH, ICE/EV	1
3	ARKFTM148PS	RAIL KIT,FD TR MR 148,PS	1
4	AS-2T1460FTHA	SF UNIT,2T,14X60,FTH,A,5	1
5	ADUK1418A3C-RI	DRAWER UNIT,14X18,A,3,C,R	1
6	ADUK1418A2T-RI	DRAWER UNIT,14X18,A,2,T,R	1
7	ADUK1424A2T-RI	DRAWER UNIT,14X24,A,2,T,R	1
8	BIN614	BIN, 6W X 14D	10
9	UH50	HOOK 5"	2
10	ADK1060A	DOOR KIT,10X60,A	1
11	17A	CATALOG FILE 6 SHELF	1
12	CH-EP	CASE HOLDER, T-SATCHELS	1
13	AWB1-18X84	WORKBENCH MODULE 18X25X84	1



CAUTION: DRILL THRU FLOOR WITH CARE! WATCH FOR GAS TANK, CONTROL LINES, & ELECTRICAL WIRING.

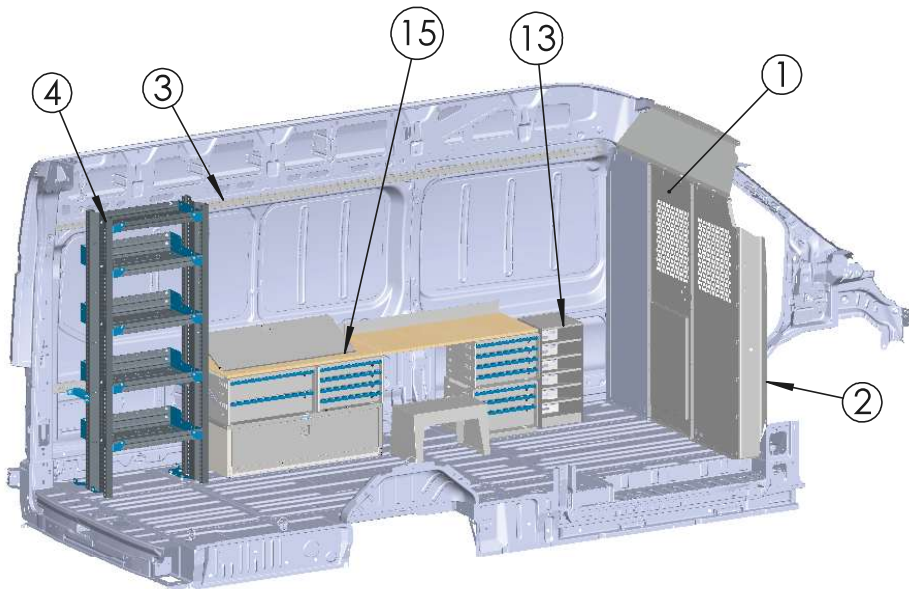
ADRIAN STEEL
 Cargo Management Solutions for Commercial Vehicles

906 James Street
 Adrian, Michigan 49221
 517.265.6194
 WWW.ADRIANSTEEL.COM

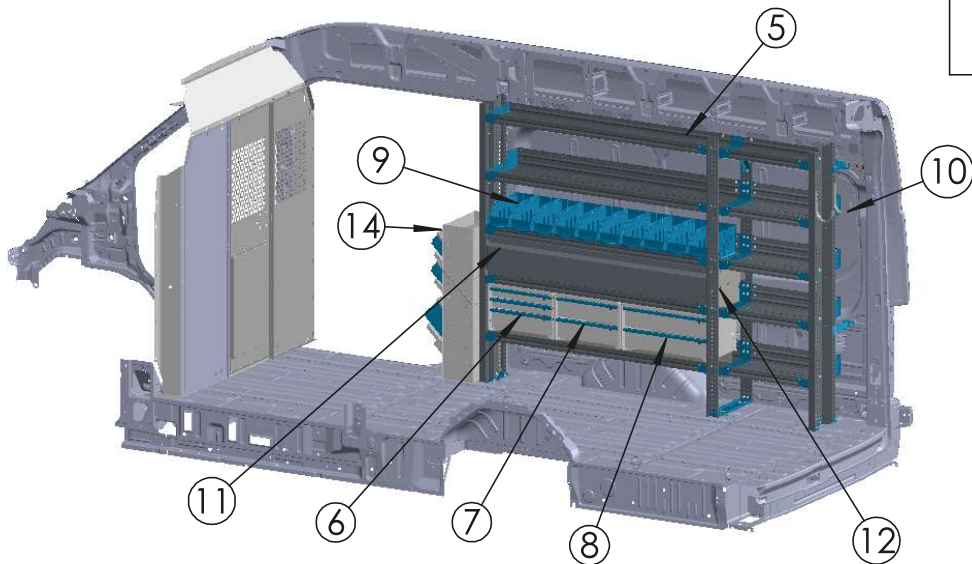
ALL DESIGNS AND DESIGN CONCEPTS ARE THE INTELLECTUAL PROPERTY OF ADRIAN STEEL COMPANY AND ARE NOT TO BE COPIED, DISTRIBUTED OR COMMUNICATED TO OUTSIDE PARTIES WITHOUT THE WRITTEN PERMISSION OF ADRIAN STEEL COMPANY.

THE MATERIAL/CONCEPTS/DESIGNS CONTAINED WITHIN THIS DOCUMENT ARE FOR THE PURPOSE OF SUPPLYING PRODUCT TO POTENTIAL ADRIAN STEEL COMPANY CUSTOMERS.

Drawn By: W. COLLINS	Customer: LOCKSMITH PACKAGE
Date: 10/24/2025	
ECN No: 28721	Vehicle TRANSIT 148"WB HR
PDS No: LOCK-FTHR148	Package Weight: 643.49
	Sheet: 1 of 1
	Rev.: A



ITEM NO.	PART NUMBER	DESCRIPTION	QTY.
1	S1M2C2PM	SMC PANEL KIT, PM	1
2	WKC1FDTH2	WING KIT, FDTH, ICE/EV	1
3	ARKFTH148X	RAIL KIT,FD TR HR 148X	1
4	AS-2T1424FTHA	SF UNIT,2T,14X24,FTH,A,5	1
5	AS-2T1484FTHA	SF UNIT,2T,14X84,FTH,A,5	1
6	ADUK1418A3C-RI	DRAWER UNIT,14X18,A,3,C,R	1
7	ADUK1418A2T-RI	DRAWER UNIT,14X18,A,2,T,R	1
8	ADUK1424A2T-RI	DRAWER UNIT,14X24,A,2,T,R	1
9	BIN614	BIN, 6W X 14D	10
10	UH50	HOOK 5"	2
11	ADK1060A	DOOR KIT,10X60,A	1
12	ADKFP14A	DOUBLE SHELVE 14" FILLER PANEL,DOOR KIT	1
13	17A	CATALOG FILE 6 SHELF	1
14	CH-EP	CASE HOLDER, T-SATCHELS	1
15	AWB1-18X84	WORKBENCH MODULE 18X25X84	1



CAUTION: DRILL THRU FLOOR WITH CARE! WATCH FOR GAS TANK, CONTROL LINES, & ELECTRICAL WIRING.



906 James Street
Adrian, Michigan 49221
517.265.6194
WWW.ADRIANSTEEL.COM

ALL DESIGNS AND DESIGN CONCEPTS ARE THE INTELLECTUAL PROPERTY OF ADRIAN STEEL COMPANY AND ARE NOT TO BE COPIED, DISTRIBUTED OR COMMUNICATED TO OUTSIDE PARTIES WITHOUT THE WRITTEN PERMISSION OF ADRIAN STEEL COMPANY.
THE MATERIAL/CONCEPTS/DESIGNS CONTAINED WITHIN THIS DOCUMENT ARE FOR THE PURPOSE OF SUPPLYING PRODUCT TO POTENTIAL ADRIAN STEEL COMPANY CUSTOMERS.

Drawn By: **W. COLLINS**

Date: **2-15-26**

ECN No: **29175**

PDS No: **LOCK-FTHR148X**

Customer:

**LOCKSMITH
PACKAGE**

Vehicle

TRANSIT 148" EXT WB HR

Package Weight:

773.53

Sheet:

1 of 1

Rev.:

B



ADRIAN

VANPRODUCTS
COMMERCIAL UP-FIT