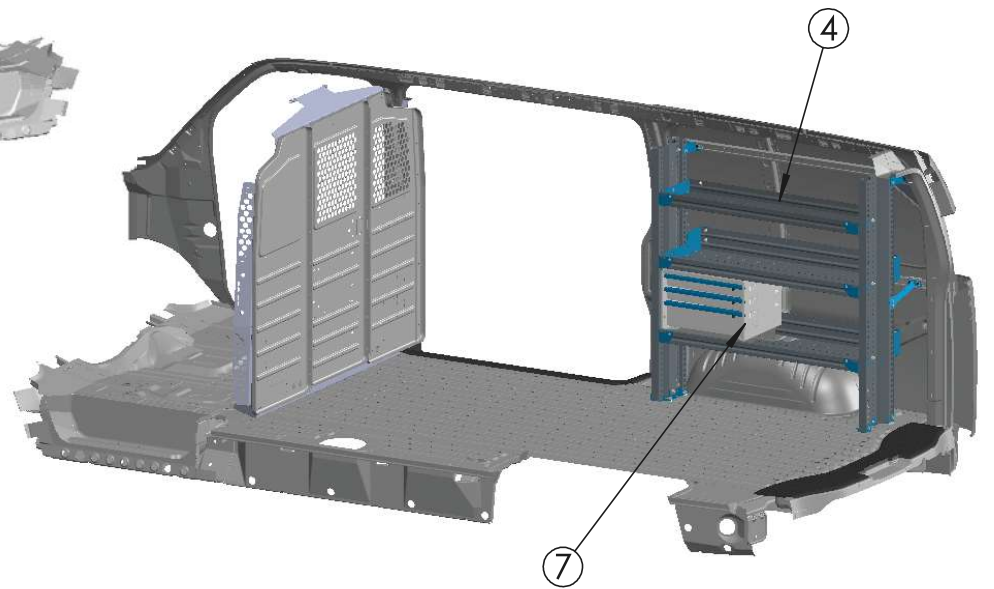
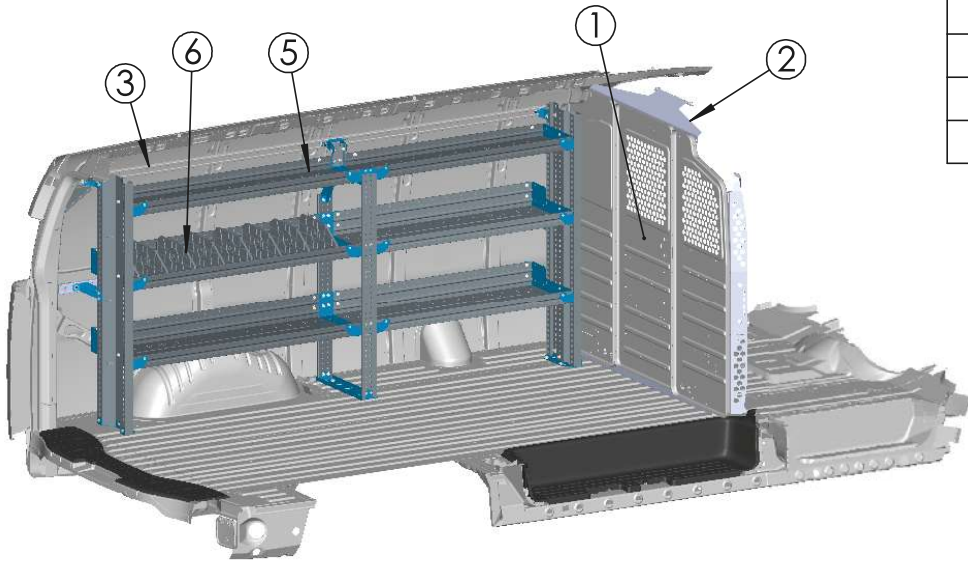


**GM EXPRESS
GM ESSENTIAL PACKAGES**



ITEM NO.	PART NUMBER	DESCRIPTION	QTY.
1	S1M2C2FSV	STAMPED PARTITION	1
2	WKC2GMOP-G	PARTITION INSTALLATION KIT, GM FSV	1
3	ARKGM135	RAIL KIT, GM 135	1
4	AS-2T1442GMA	SF UNIT, 2T, 14X42, GM, A, 3	1
5	AS-2T1490GMA	SF UNIT, 2T, 14X90, GM, A, 3	1
6	DIVK148	SHELF DIVIDER KIT, 14D, 8	1
7	ADUK1418A3C-RI	DRAWER UNIT, 14X18, A, 3, C, R	1



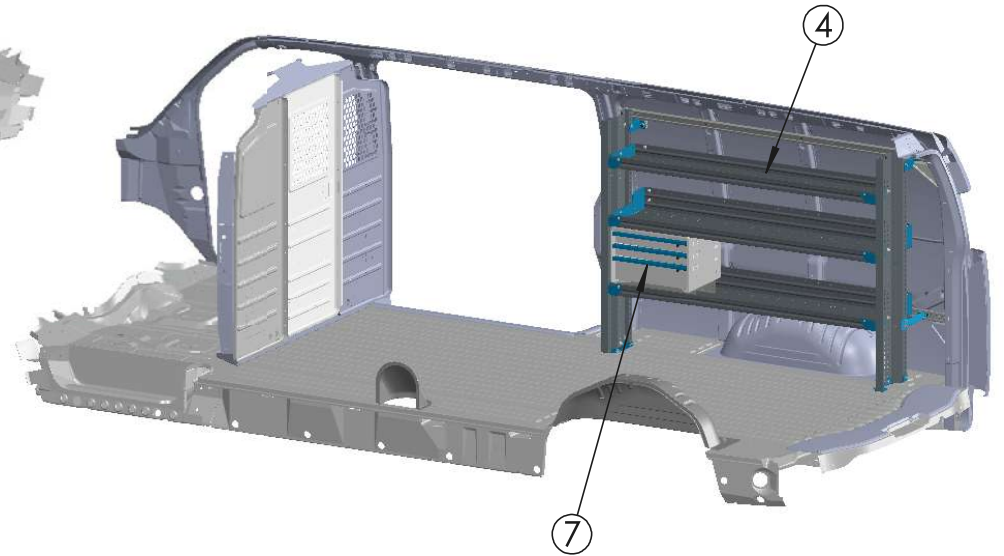
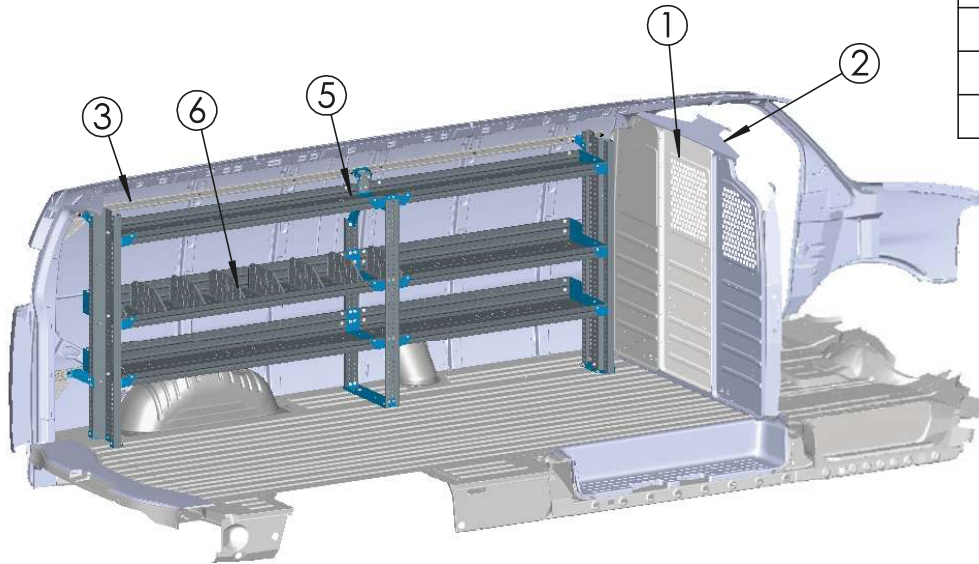
CAUTION: DRILL THRU FLOOR WITH CARE! WATCH FOR GAS TANK, CONTROL LINES, & ELECTRICAL WIRING.

ADRIAN STEEL
 906 James Street
 Adrian, Michigan 49221
 517.265.6194
 WWW.ADRIANSTEEL.COM

ALL DESIGNS AND DESIGN CONCEPTS ARE THE INTELLECTUAL PROPERTY OF ADRIAN STEEL COMPANY AND ARE NOT TO BE COPIED, DISTRIBUTED OR COMMUNICATED TO OUTSIDE PARTIES WITHOUT THE WRITTEN PERMISSION OF ADRIAN STEEL COMPANY.
 THE MATERIAL/CONCEPTS/DESIGNS CONTAINED WITHIN THIS DOCUMENT ARE FOR THE PURPOSE OF SUPPLYING PRODUCT TO POTENTIAL ADRIAN STEEL COMPANY CUSTOMERS.

Drawn By:	GDR	Customer:	BIN PACKAGE	
Date:	1-30-2026	Vehicle	EXPRESS 135	
ECN No:	28974	Package Weight:	266.23	Sheet: 1 of 1
PDS No:	BIN-GM135B	Rev.:	C	

ITEM NO.	PART NUMBER	DESCRIPTION	QTY.
1	S1M2C2FSV	STAMPED PARTITION	1
2	WKC1GMOP-G	PARTITION INSTALLATION KIT, GM FSV	1
3	ARKGM155	RAIL KIT, GM 155	1
4	AS-2T1460GMA	SF UNIT, 2T, 14X60, GM, A, 3	1
5	AS-2T14108GMA	SF UNIT, 2T, 14X108, GM, A, 3	1
6	DIVK148	SHELF DIVIDER KIT, 14D, 8	1
7	ADUK1418A3C-RI	DRAWER UNIT, 14X18, A, 3, C, R	1



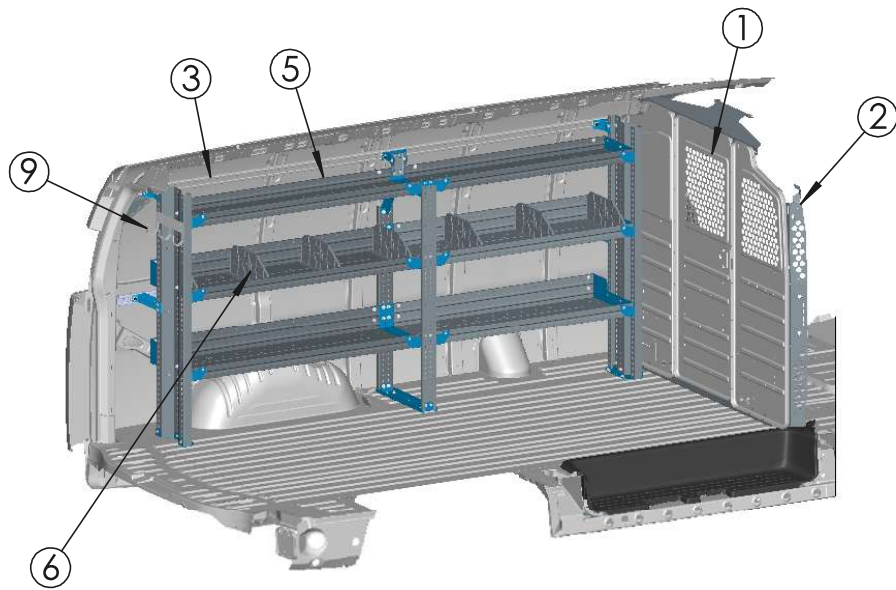
CAUTION: DRILL THRU FLOOR WITH CARE! WATCH FOR GAS TANK, CONTROL LINES, & ELECTRICAL WIRING.



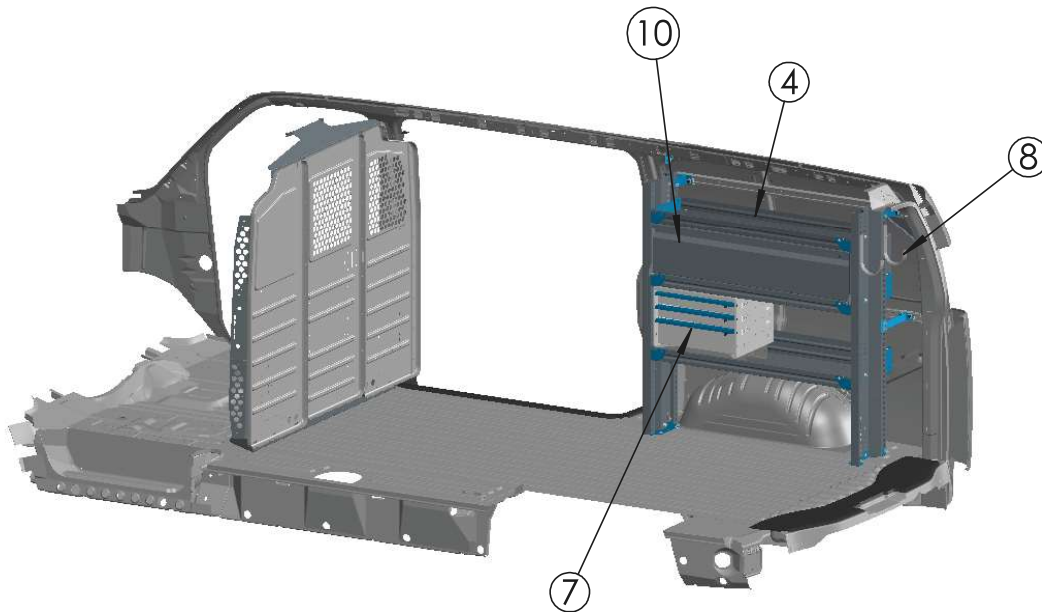
906 James Street
Adrian, Michigan 49221
517.265.6194
WWW.ADRIANSTEEL.COM

ALL DESIGNS AND DESIGN CONCEPTS ARE THE INTELLECTUAL PROPERTY OF ADRIAN STEEL COMPANY AND ARE NOT TO BE COPIED, DISTRIBUTED OR COMMUNICATED TO OUTSIDE PARTIES WITHOUT THE WRITTEN PERMISSION OF ADRIAN STEEL COMPANY.
THE MATERIAL/CONCEPTS/DESIGNS CONTAINED WITHIN THIS DOCUMENT ARE FOR THE PURPOSE OF SUPPLYING PRODUCT TO POTENTIAL ADRIAN STEEL COMPANY CUSTOMERS.

Drawn By:	GDR	Customer:	BIN PACKAGE	
Date:	1-30-2026	Vehicle:	EXPRESS 155	
ECN No:	28974	Package Weight:	391.37	Sheet: 1 of 1
PDS No:	BIN-GM155B	Rev.:	B	



ITEM NO.	PART NUMBER	DESCRIPTION	QTY.
1	S1M2C2FSV	STAMPED PARTITION	1
2	WKC2GMOP-G	PARTITION INSTALLATION KIT, GM FSV	1
3	ARKGM135	RAIL KIT, GM 135	1
4	AS-2T1442GMA	SF UNIT, 2T, 14X42, GM, A, 3	1
5	AS-2T1490GMA	SF UNIT, 2T, 14X90, GM, A, 3	1
6	DIVK148	SHELF DIVIDER KIT, 14D, 8	1
7	ADUK1418A3C-RI	DRAWER UNIT, 14X18, A, 3, C, R	1
8	UH50	HOOK 5"	2
9	UHB3	UTILITY HOOK BAR, 3	1
10	ADK1042A	DOOR KIT, 10X42, A	1



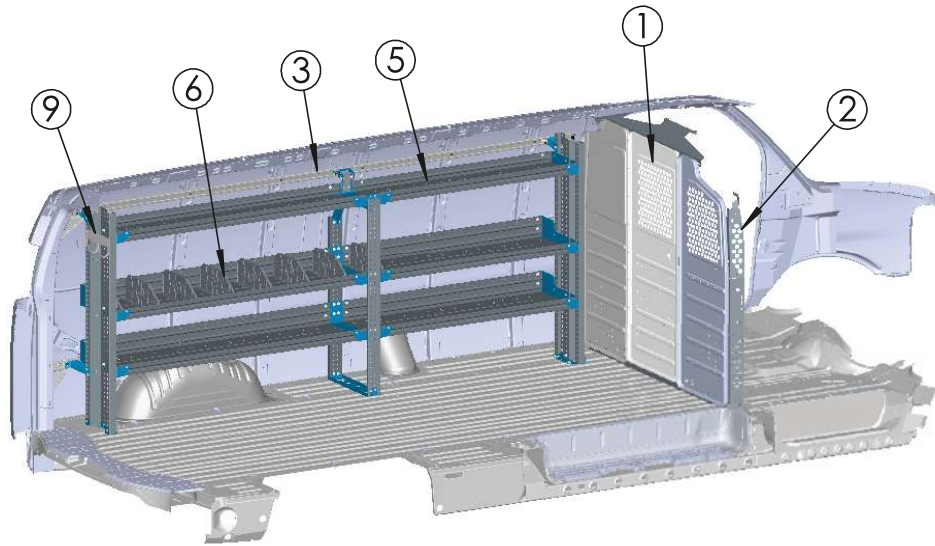
CAUTION: DRILL THRU FLOOR WITH CARE! WATCH FOR GAS TANK, CONTROL LINES, & ELECTRICAL WIRING.



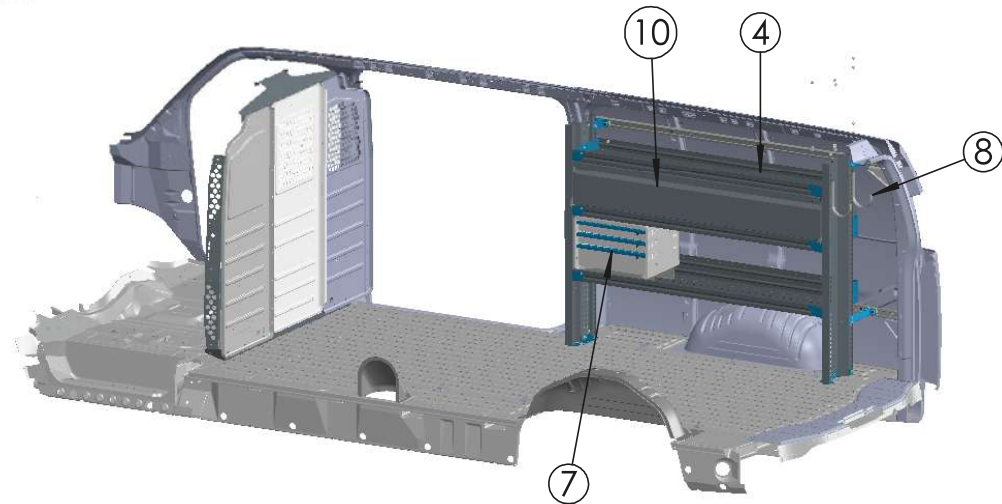
906 James Street
Adrian, Michigan 49221
517.265.6194
WWW.ADRIANSTEEL.COM

ALL DESIGNS AND DESIGN CONCEPTS ARE THE INTELLECTUAL PROPERTY OF ADRIAN STEEL COMPANY AND ARE NOT TO BE COPIED, DISTRIBUTED OR COMMUNICATED TO OUTSIDE PARTIES WITHOUT THE WRITTEN PERMISSION OF ADRIAN STEEL COMPANY. THE MATERIAL/CONCEPTS/DESIGNS CONTAINED WITHIN THIS DOCUMENT ARE FOR THE PURPOSE OF SUPPLYING PRODUCT TO POTENTIAL ADRIAN STEEL COMPANY CUSTOMERS.

Drawn By:	GDR	Customer:	GENERAL SERVICE PACKAGE	
Date:	2-02-2026	Vehicle:	EXPRESS 135	
ECN No:	28974	Package Weight:	291.63	Sheet: 1 of 1
PDS No:	GEN-GM135B	Rev.:	C	



ITEM NO.	PART NUMBER	DESCRIPTION	QTY.
1	S1M2C2FSV	STAMPED PARTITION	1
2	WKC2GMOP-G	PARTITION INSTALLATION KIT, GM FSV	1
3	ARKGM155	RAIL KIT, GM 155	1
4	AS-2T1460GMA	SF UNIT, 2T, 14X60, GM, A, 3	1
5	AS-2T14108GMA	SF UNIT, 2T, 14X108, GM, A, 3	1
6	DIVK148	SHELF DIVIDER KIT, 14D, 8	1
7	ADUK1418A3C-RI	DRAWER UNIT, 14X18, A, 3, C, R	1
8	UH50	HOOK 5"	2
9	UHB3	UTILITY HOOK BAR, 3	1
10	ADK1060A	DOOR KIT, 10X60, A	1



CAUTION: DRILL THRU FLOOR WITH CARE! WATCH FOR GAS TANK, CONTROL LINES, & ELECTRICAL WIRING.



906 James Street
Adrian, Michigan 49221
517.265.6194
WWW.ADRIANSTEEL.COM

ALL DESIGNS AND DESIGN CONCEPTS ARE THE INTELLECTUAL PROPERTY OF ADRIAN STEEL COMPANY AND ARE NOT TO BE COPIED, DISTRIBUTED OR COMMUNICATED TO OUTSIDE PARTIES WITHOUT THE WRITTEN PERMISSION OF ADRIAN STEEL COMPANY. THE MATERIAL/CONCEPTS/DESIGNS CONTAINED WITHIN THIS DOCUMENT ARE FOR THE PURPOSE OF SUPPLYING PRODUCT TO POTENTIAL ADRIAN STEEL COMPANY CUSTOMERS.

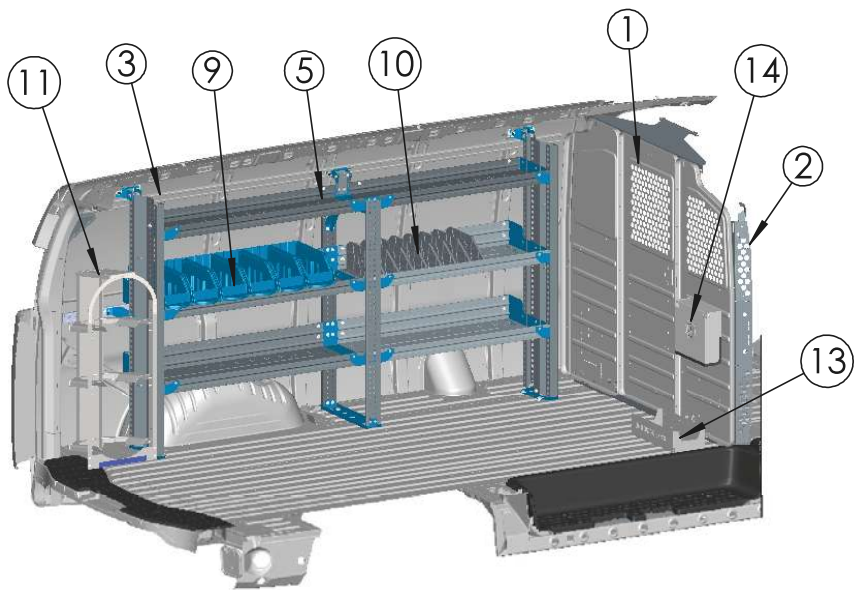
Drawn By: **GDR**
Date: **2-03-2026**
ECN No: **28974**
PDS No: **GEN-GM155B**

Customer: **GENERAL SERVICE PACKAGE**
Vehicle: **EXPRESS 155**

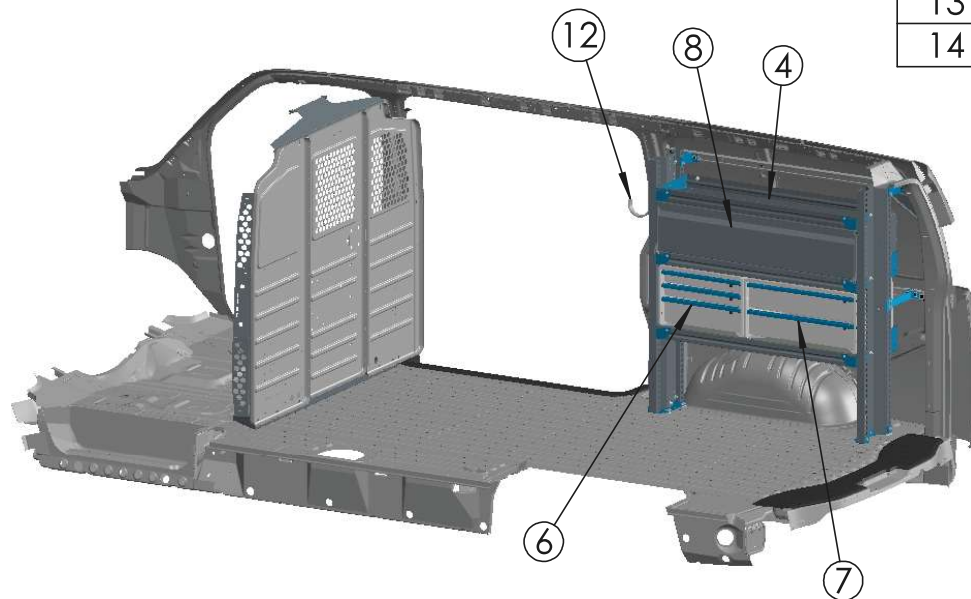
Package Weight: **464.82**

Sheet: **1 of 1**

Rev.: **B**



ITEM NO.	PART NUMBER	DESCRIPTION	QTY.
1	S1M2C2FSV	STAMPED PARTITION	1
2	WKC2GMOP-G	PARTITION INSTALLATION KIT, GM FSV	1
3	ARKGM135	RAIL KIT, GM 135	1
4	AS-2T1442GMA	SF UNIT, 2T, 14X42, GM, A, 3	1
5	AS-2T1478GMA	SF UNIT, 2T, 14X78, GM, A, 3	1
6	ADUK1418A3C-RI	DRAWER UNIT, 14X18, A, 3, C, R	1
7	ADUK1424A2T-RI	DRAWER UNIT, 14X18, A, 3, C, R	1
8	ADK1042A	DOOR KIT, 10X42, A	1
9	BIN614	BIN, 6W X 14D	6
10	DIVK148	SHELF DIVIDER KIT, 14D, 8	1
11	230150TR	TANK RACK, 2-30LB 50LB TANKS	1
12	UH50	HOOK 5"	2
13	VPH1	HVAC PUMP STORAGE KIT	1
14	GC1	HVAC GAUGE COVER KIT	1



CAUTION: DRILL THRU FLOOR WITH CARE! WATCH FOR GAS TANK, CONTROL LINES, & ELECTRICAL WIRING.



906 James Street
Adrian, Michigan 49221
517.265.6194
WWW.ADRIANSTEEL.COM

ALL DESIGNS AND DESIGN CONCEPTS ARE THE INTELLECTUAL PROPERTY OF ADRIAN STEEL COMPANY AND ARE NOT TO BE COPIED, DISTRIBUTED OR COMMUNICATED TO OUTSIDE PARTIES WITHOUT THE WRITTEN PERMISSION OF ADRIAN STEEL COMPANY. THE MATERIAL/CONCEPTS/DESIGNS CONTAINED WITHIN THIS DOCUMENT ARE FOR THE PURPOSE OF SUPPLYING PRODUCT TO POTENTIAL ADRIAN STEEL COMPANY CUSTOMERS.

Drawn By: **GDR**

Date: **2-04-2026**

ECN No: **28974**

PDS No: **HVAC-GM135B**

Customer:

HVAC STARTER PACKAGE

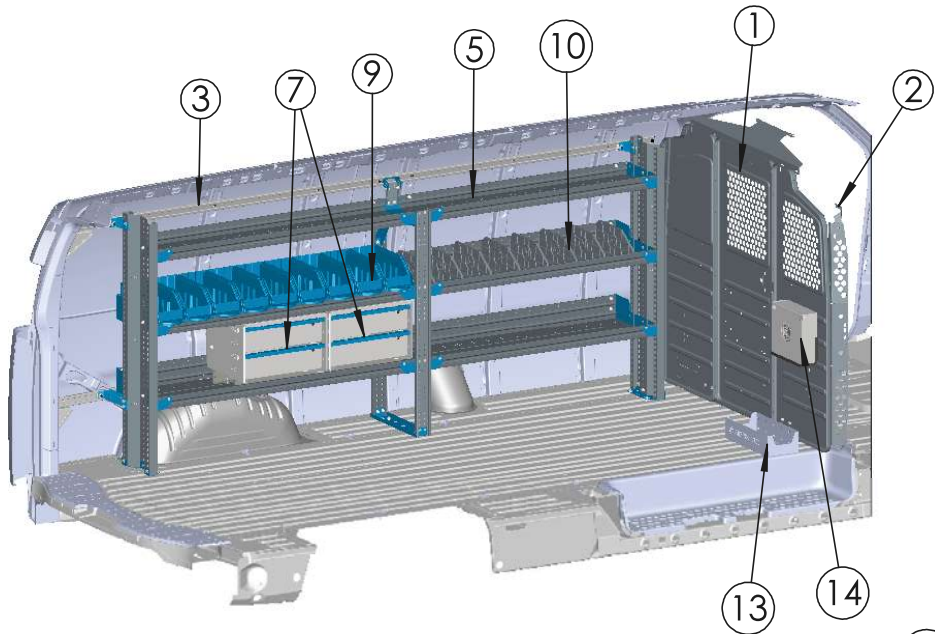
Vehicle

EXPRESS 135

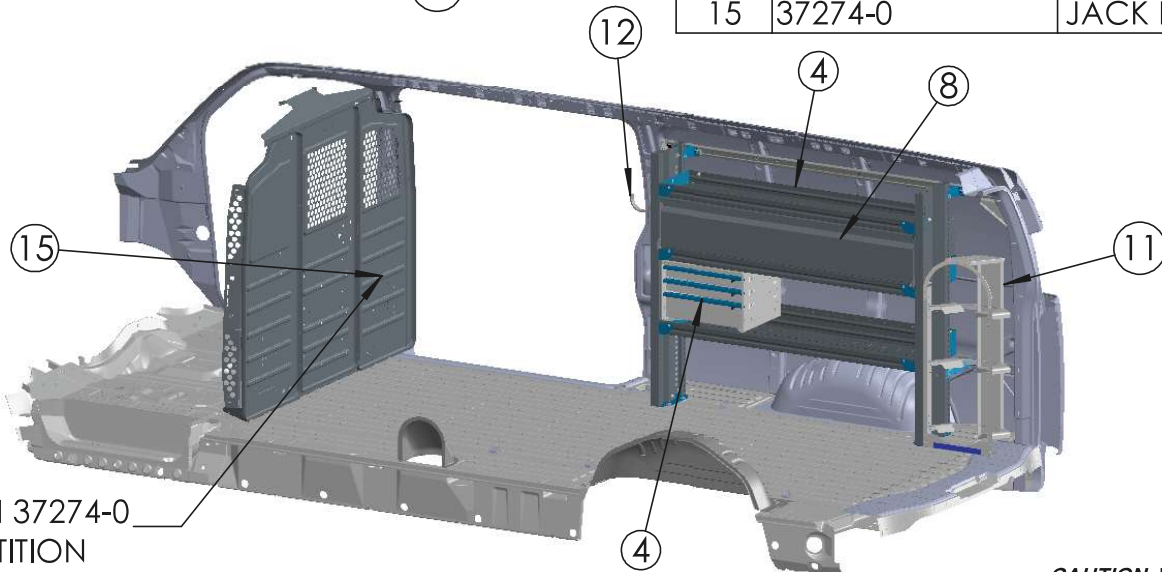
Package Weight: **515.77**

Sheet: **1 of 1**

Rev.: **C**



ITEM NO.	PART NUMBER	DESCRIPTION	QTY.
1	S1M2C2FSV	STAMPED PARTITION	1
2	WKC2GMOP-G	PARTITION INSTALLATION KIT, GM FSV	1
3	ARKGM155	RAIL KIT, GM 155	1
4	AS-2T1454GMA	SF UNIT,2T,14X54,GM,A,3	1
5	AS-2T14102GMA	SF UNIT,2T,14X102,GM,A,3	1
6	ADUK1418A3C-RI	DRAWER UNIT,14X18,A,3,C,R	1
7	ADUK1418A2T-RI	DRAWER UNIT,14X18,A,3,C,R	2
8	ADK1054A	DOOR KIT,10X54,A	1
9	BIN614	BIN, 6W X 14D	9
10	DIVK148	SHELF DIVIDER KIT,14D,8	1
11	230150TR	TANK RACK, 2-30LB 50LB TANKS	1
12	UH50	HOOK 5"	2
13	VPH1	HVAC PUMP STORAGE KIT	1
14	GC1	HVAC GAUGE COVER KIT	1
15	37274-0	JACK RELOCATE KIT OEM GM FSV	1



ATTACH 37274-0
TO PARTITION

CAUTION: DRILL THRU FLOOR WITH CARE! WATCH FOR GAS TANK, CONTROL LINES, & ELECTRICAL WIRING.

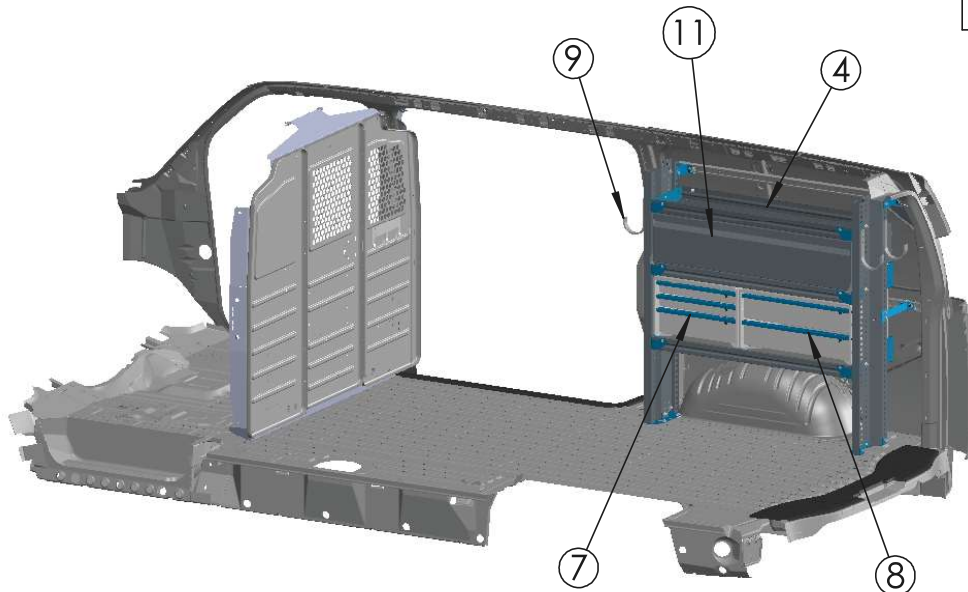
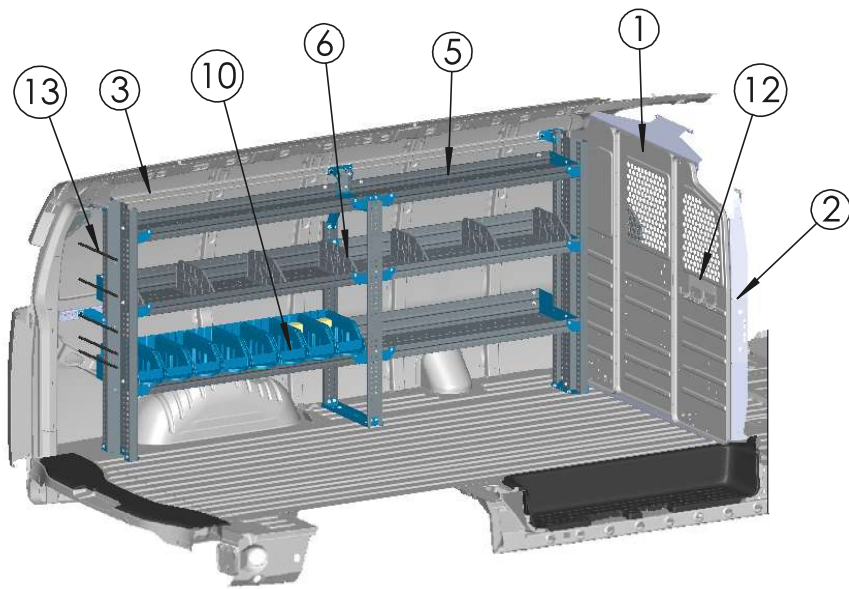


906 James Street
Adrian, Michigan 49221
517.265.6194
WWW.ADRIANSTEEL.COM

ALL DESIGNS AND DESIGN CONCEPTS ARE THE INTELLECTUAL PROPERTY OF ADRIAN STEEL COMPANY AND ARE NOT TO BE COPIED, DISTRIBUTED OR COMMUNICATED TO OUTSIDE PARTIES WITHOUT THE WRITTEN PERMISSION OF ADRIAN STEEL COMPANY. THE MATERIAL/CONCEPTS/DESIGNS CONTAINED WITHIN THIS DOCUMENT ARE FOR THE PURPOSE OF SUPPLYING PRODUCT TO POTENTIAL ADRIAN STEEL COMPANY CUSTOMERS.

Drawn By: **GDR**
Date: **2-04-2026**
ECN No: **29269**
PDS No: **HVAC-GM155B**

Customer: **HVAC STARTER PACKAGE**
Vehicle: **EXPRESS 155**
Package Weight: **603.79**
Sheet: **1 of 1**
Rev.: **C**



ITEM NO.	PART NUMBER	DESCRIPTION	QTY.
1	S1M2C2FSV	STAMPED PARTITION	1
2	WKC1GMOP-G	PARTITION INSTALLATION KIT, GM FSV	1
3	ARKGM135	RAIL KIT, GM 135	1
4	AS-2T1442GMA	SF UNIT, 2T, 14X42, GM, A, 3	1
5	AS-2T1490GMA	SF UNIT, 2T, 14X90, GM, A, 3	1
6	DIVK148	SHELF DIVIDER KIT, 14D, 8	1
7	ADUK1418A3C-RI	DRAWER UNIT, 14X18, A, 3, C, R	1
8	ADUK1424A2T-RI	DRAWER UNIT, 14X18, A, 3, C, R	1
9	UH50	HOOK 5"	4
10	BIN614	BIN, 6W X 14D	8
11	ADK1042A	DOOR KIT, 10X42, A	1
12	UHB3	UTILITY HOOK BAR, 3	1
13	WRH5	WIRE REEL HOLDER	1

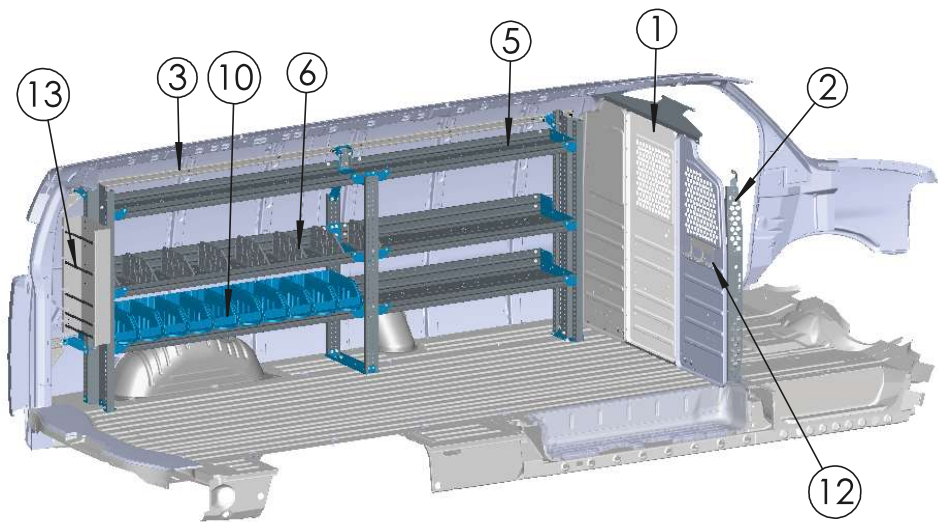
CAUTION: DRILL THRU FLOOR WITH CARE! WATCH FOR GAS TANK, CONTROL LINES, & ELECTRICAL WIRING.



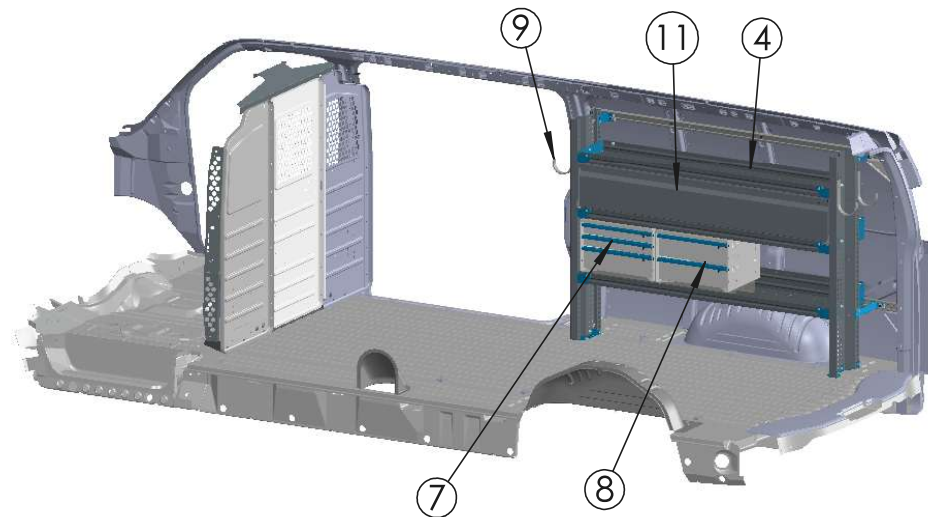
906 James Street
Adrian, Michigan 49221
517.265.6194
WWW.ADRIANSTEEL.COM

ALL DESIGNS AND DESIGN CONCEPTS ARE THE INTELLECTUAL PROPERTY OF ADRIAN STEEL COMPANY AND ARE NOT TO BE COPIED, DISTRIBUTED OR COMMUNICATED TO OUTSIDE PARTIES WITHOUT THE WRITTEN PERMISSION OF ADRIAN STEEL COMPANY.
THE MATERIAL/CONCEPTS/DESIGNS CONTAINED WITHIN THIS DOCUMENT ARE FOR THE PURPOSE OF SUPPLYING PRODUCT TO POTENTIAL ADRIAN STEEL COMPANY CUSTOMERS.

Drawn By:	GDR	Customer:	ELECTRICAL STARTER PACKAGE	
Date:	1-30-2026	Vehicle:	EXPRESS 135	
ECN No:	28974	Package Weight:	369.45	Sheet: 1 of 1
PDS No:	ELE-GM135B	Rev.:	C	



ITEM NO.	PART NUMBER	DESCRIPTION	QTY.
1	S1M2C2FSV	STAMPED PARTITION	1
2	WKC2GMOP-G	PARTITION INSTALLATION KIT, GM FSV	1
3	ARKGM155	RAIL KIT, GM 155	1
4	AS-2T1460GMA	SF UNIT, 2T, 14X60, GM, A, 3	1
5	AS-2T14108GMA	SF UNIT, 2T, 14X108, GM, A, 3	1
6	DIVK148	SHELF DIVIDER KIT, 14D, 8	1
7	ADUK1418A3C-RI	DRAWER UNIT, 14X18, A, 3, C, R	1
8	ADUK1418A2T-RI	DRAWER UNIT, 14X18, A, 3, C, R	1
9	UH50	HOOK 5"	4
10	BIN614	BIN, 6W X 14D	10
11	ADK1060A	DOOR KIT, 10X60, A	1
12	UHB3	UTILITY HOOK BAR, 3	1
13	WRH5	WIRE REEL HOLDER	1



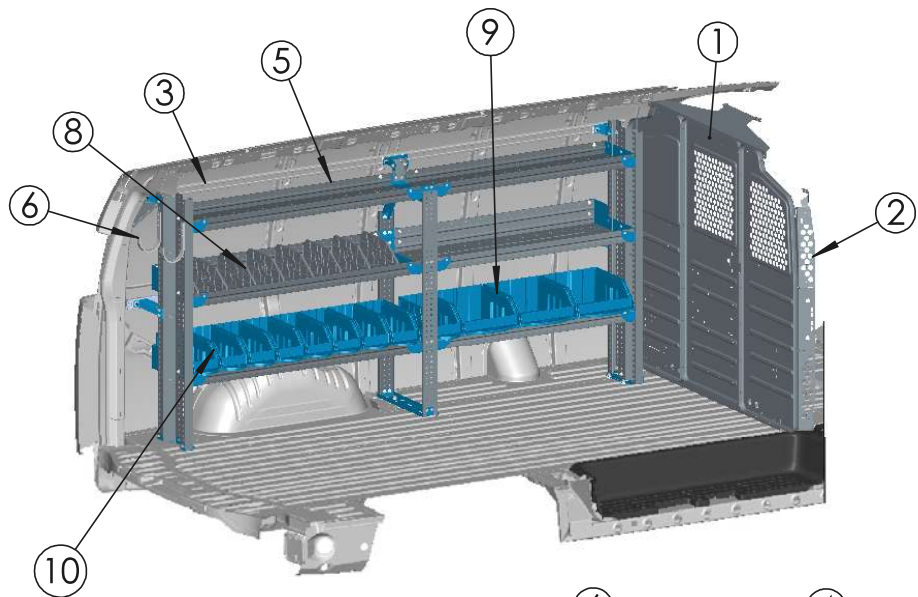
CAUTION: DRILL THRU FLOOR WITH CARE! WATCH FOR GAS TANK, CONTROL LINES, & ELECTRICAL WIRING.



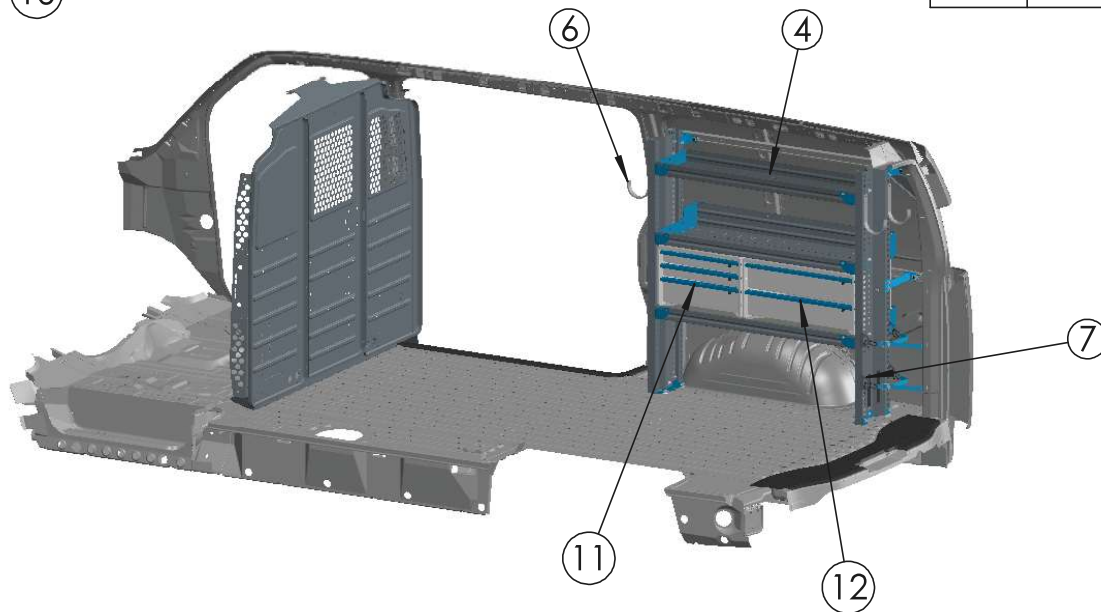
906 James Street
Adrian, Michigan 49221
517.265.6194
WWW.ADRIANSTEEL.COM

ALL DESIGNS AND DESIGN CONCEPTS ARE THE INTELLECTUAL PROPERTY OF ADRIAN STEEL COMPANY AND ARE NOT TO BE COPIED, DISTRIBUTED OR COMMUNICATED TO OUTSIDE PARTIES WITHOUT THE WRITTEN PERMISSION OF ADRIAN STEEL COMPANY. THE MATERIAL/CONCEPTS/DESIGNS CONTAINED WITHIN THIS DOCUMENT ARE FOR THE PURPOSE OF SUPPLYING PRODUCT TO POTENTIAL ADRIAN STEEL COMPANY CUSTOMERS.

Drawn By:	GDR	Customer:	ELECTRICAL STARTER PACKAGE	
Date:	2-02-2026	Vehicle:	EXPRESS 155	
ECN No.:	28974	Package Weight:	410.32	Sheet: 1 of 1
PDS No.:	ELE-GM155B	Rev.:	C	



ITEM NO.	PART NUMBER	DESCRIPTION	QTY.
1	S1M2C2FSV	STAMPED PARTITION	1
2	WKC2GMOP-G	PARTITION INSTALLATION KIT, GM FSV	1
3	ARKGM135	RAIL KIT, GM 135	1
4	AS-2T1442GMA	SF UNIT, 2T, 14X42, GM, A, 3	1
5	AS-2T1490GMA	SF UNIT, 2T, 14X90, GM, A, 3	1
6	UH50	HOOK 5"	6
7	1NTR	TANK HOLDER, NITROGEN	1
8	DIVK148	SHELF DIVIDER KIT, 14D, 8	1
9	BIN1214	BIN, 12W X 14D	3
10	BIN614	BIN, 6W X 14D	9
11	ADUK1418A3C-RI	DRAWER UNIT, 14X18, A, 3, C, R	1
12	ADUK1424A2T-RI	DRAWER UNIT, 14X18, A, 3, C, R	1



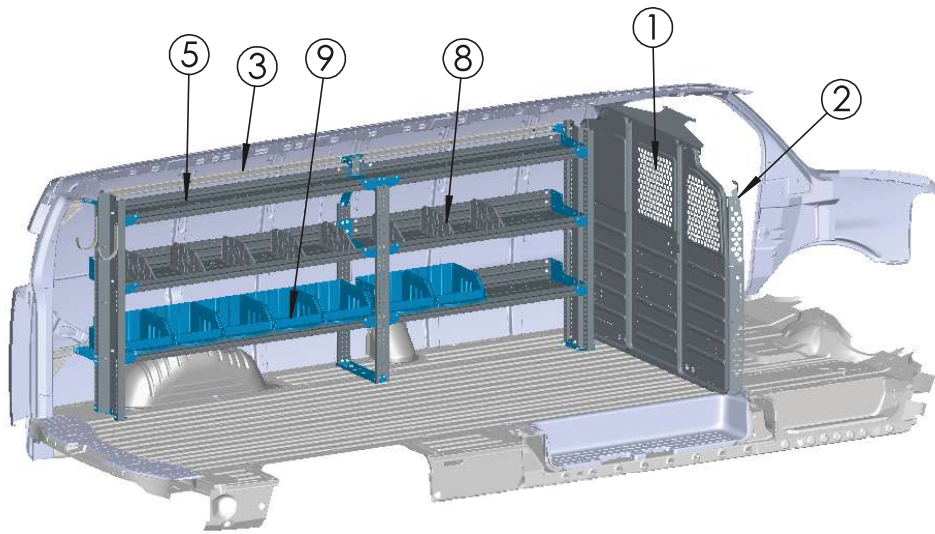
CAUTION: DRILL THRU FLOOR WITH CARE! WATCH FOR GAS TANK, CONTROL LINES, & ELECTRICAL WIRING.



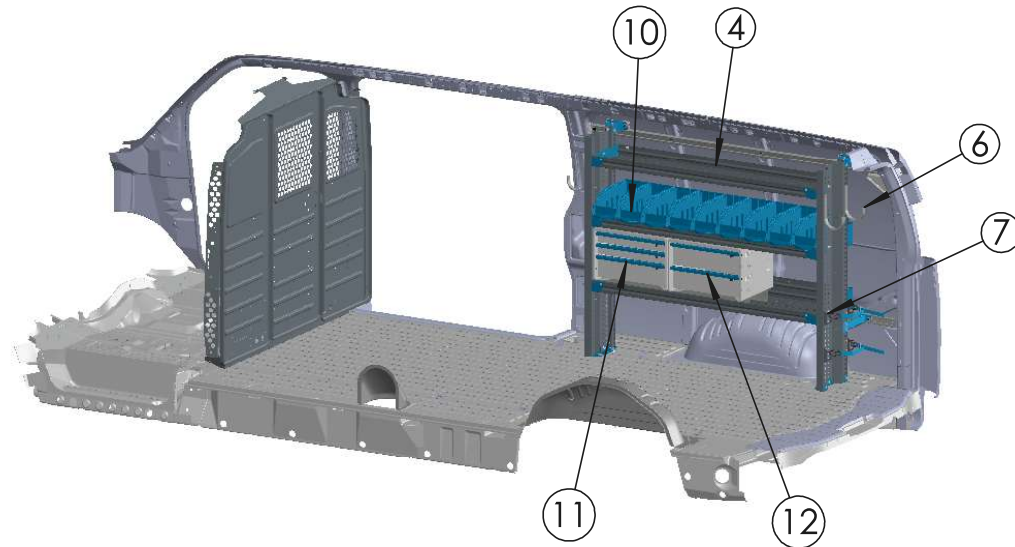
906 James Street
Adrian, Michigan 49221
517.265.6194
WWW.ADRIANSTEEL.COM

ALL DESIGNS AND DESIGN CONCEPTS ARE THE INTELLECTUAL PROPERTY OF ADRIAN STEEL COMPANY AND ARE NOT TO BE COPIED, DISTRIBUTED OR COMMUNICATED TO OUTSIDE PARTIES WITHOUT THE WRITTEN PERMISSION OF ADRIAN STEEL COMPANY. THE MATERIAL/CONCEPTS/DESIGNS CONTAINED WITHIN THIS DOCUMENT ARE FOR THE PURPOSE OF SUPPLYING PRODUCT TO POTENTIAL ADRIAN STEEL COMPANY CUSTOMERS.

Drawn By:	GDR	Customer:	PLUMBING PACKAGE	
Date:	2-04-2026	Vehicle:	EXPRESS 135	
ECN No:	28974	Package Weight:	326.95	Sheet: 1 of 1
PDS No:	PLUM-GM135B	Rev.:	C	



ITEM NO.	PART NUMBER	DESCRIPTION	QTY.
1	S1M2C2FSV	STAMPED PARTITION	1
2	WKC2GMOP-G	PARTITION INSTALLATION KIT, GM FSV	1
3	ARKGM155	RAIL KIT, GM 155	1
4	AS-2T1454GMA	SF UNIT, 2T, 14X54, GM, A, 3	1
5	AS-2T14108GMA	SF UNIT, 2T, 14X108, GM, A, 3	1
6	UH50	HOOK 5"	6
7	1NTR	TANK HOLDER, NITROGEN	1
8	DIVK148	SHELF DIVIDER KIT, 14D, 8	1
9	BIN1214	BIN, 12W X 14D	7
10	BIN614	BIN, 6W X 14D	9
11	ADUK1418A3C-RI	DRAWER UNIT, 14X18, A, 3, C, R	1
12	ADUK1418A2T-RI	DRAWER UNIT, 14X18, A, 3, C, R	1



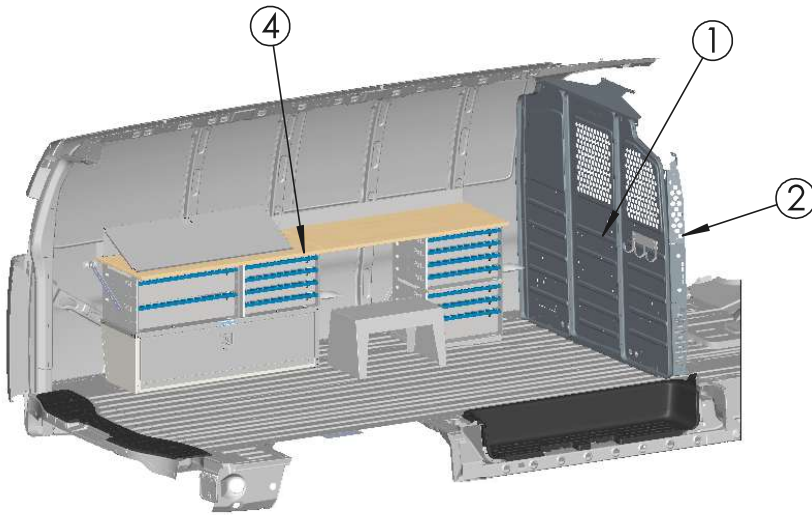
CAUTION: DRILL THRU FLOOR WITH CARE! WATCH FOR GAS TANK, CONTROL LINES, & ELECTRICAL WIRING.



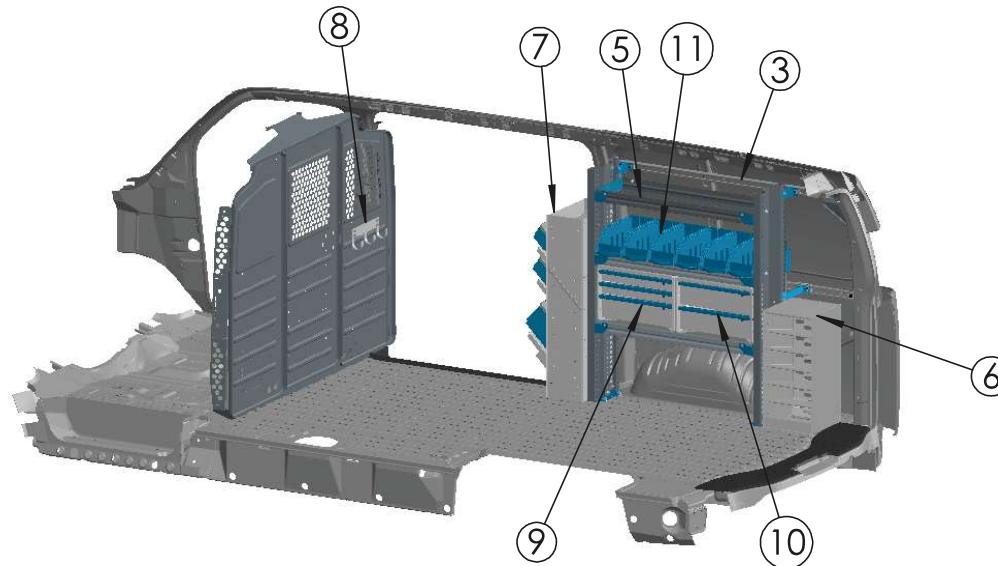
906 James Street
Adrian, Michigan 49221
517.265.6194
WWW.ADRIANSTEEL.COM

ALL DESIGNS AND DESIGN CONCEPTS ARE THE INTELLECTUAL PROPERTY OF ADRIAN STEEL COMPANY AND ARE NOT TO BE COPIED, DISTRIBUTED OR COMMUNICATED TO OUTSIDE PARTIES WITHOUT THE WRITTEN PERMISSION OF ADRIAN STEEL COMPANY. THE MATERIAL/CONCEPTS/DESIGNS CONTAINED WITHIN THIS DOCUMENT ARE FOR THE PURPOSE OF SUPPLYING PRODUCT TO POTENTIAL ADRIAN STEEL COMPANY CUSTOMERS.

Drawn By:	GDR	Customer:	PLUMBING STARTER PACKAGE	
Date:	2-05-2026	Vehicle:	EXPRESS 155	
ECN No.:	28974	Package Weight:	380.53	Sheet: 1 of 1
PDS No.:	PLUM-GM155B	Rev.:	B	



ITEM NO.	PART NUMBER	DESCRIPTION	QTY.
1	S1M2C2FSV	STAMPED PARTITION	1
2	WKC2GMOP-G	PARTITION INSTALLATION KIT, GM FSV	1
3	ARKGM135PS	RAIL KIT,GM 135,PS	1
4	AWB1-18X84	WORKBENCH MODULE 18X25X84	1
5	AS-2T1436GMA	SF UNIT,2T,14X36,GM,A,3	1
6	17A	CATALOG FILE 6 SHELF	1
7	CH-EP	CASE HOLDER, T-SATCHELS	1
8	UHB3	UTILITY HOOK BAR, 3	1
9	ADUK1418A3C-RI	DRAWER UNIT,14X18,A,3,C,R	1
10	ADUK1418A2T-RI	DRAWER UNIT,14X18,A,2,T,R	1
11	BIN614	BIN, 6W X 14D	6



CAUTION: DRILL THRU FLOOR WITH CARE! WATCH FOR GAS TANK, CONTROL LINES, & ELECTRICAL WIRING.



906 James Street
Adrian, Michigan 49221
517.265.6194
WWW.ADRIANSTEEL.COM

ALL DESIGNS AND DESIGN CONCEPTS ARE THE INTELLECTUAL PROPERTY OF ADRIAN STEEL COMPANY AND ARE NOT TO BE COPIED, DISTRIBUTED OR COMMUNICATED TO OUTSIDE PARTIES WITHOUT THE WRITTEN PERMISSION OF ADRIAN STEEL COMPANY. THE MATERIAL/CONCEPTS/DESIGNS CONTAINED WITHIN THIS DOCUMENT ARE FOR THE PURPOSE OF SUPPLYING PRODUCT TO POTENTIAL ADRIAN STEEL COMPANY CUSTOMERS.

Drawn By:
W. COLLINS

Date:
2-04-2026

ECN No:
28974

PDS No:
LOCK-GM135

Customer:

LOCKSMITH PACKAGE

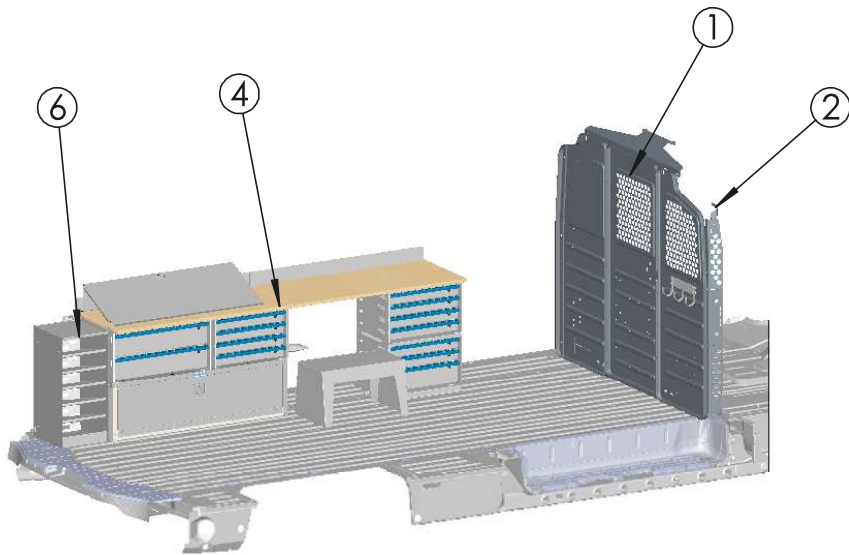
Vehicle

EXPRESS 135

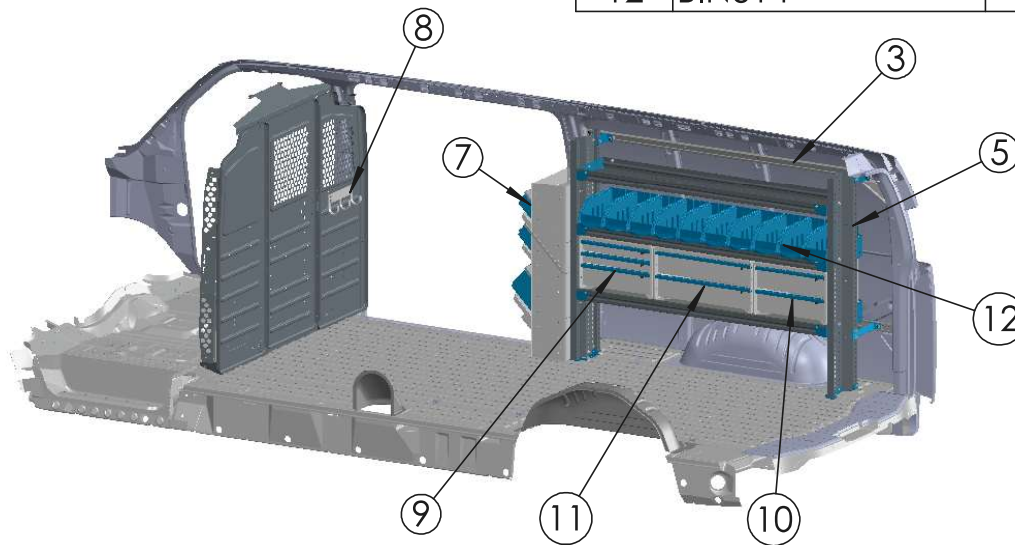
Package Weight:
464.02

Sheet:
1 of 1

Rev.:
B



ITEM NO.	PART NUMBER	DESCRIPTION	QTY.
1	S1M2C2FSV	STAMPED PARTITION	1
2	WKC2GMOP-G	PARTITION INSTALLATION KIT, GM FSV	1
3	ARKGM155PS	RAIL KIT,GM 155,PS	1
4	AWB1-18X84	WORKBENCH MODULE 18X25X84	1
5	AS-2T1460GMA	SF UNIT,2T,14X60,GM,A,3	1
6	17A	CATALOG FILE 6 SHELF	1
7	CH-EP	CASE HOLDER, T-SATCHELS	1
8	UHB3	UTILITY HOOK BAR, 3	1
9	ADUK1418A3C-RI	DRAWER UNIT,14X18,A,3,C,R	1
10	ADUK1418A2T-RI	DRAWER UNIT,14X18,A,2,T,R	1
11	ADUK1424A2T-RI	DRAWER UNIT,14X18,A,2,T,R	1
12	BIN614	BIN, 6W X 14D	10



CAUTION: DRILL THRU FLOOR WITH CARE! WATCH FOR GAS TANK, CONTROL LINES, & ELECTRICAL WIRING.



906 James Street
Adrian, Michigan 49221
517.265.6194
WWW.ADRIANSTEEL.COM

ALL DESIGNS AND DESIGN CONCEPTS ARE THE INTELLECTUAL PROPERTY OF ADRIAN STEEL COMPANY AND ARE NOT TO BE COPIED, DISTRIBUTED OR COMMUNICATED TO OUTSIDE PARTIES WITHOUT THE WRITTEN PERMISSION OF ADRIAN STEEL COMPANY. THE MATERIAL/CONCEPTS/DESIGNS CONTAINED WITHIN THIS DOCUMENT ARE FOR THE PURPOSE OF SUPPLYING PRODUCT TO POTENTIAL ADRIAN STEEL COMPANY CUSTOMERS.

Drawn By:
W. COLLINS

Date:
2-04-2026

ECN No:
28974

PDS No:
LOCK-GM155

Customer:

**LOCKSMITH
PACKAGE**

Vehicle

EXPRESS 155

Package Weight:
526.46

Sheet:
1 of 1

Rev.:
B



ADRIAN

VANPRODUCTS
COMMERCIAL UP-FIT