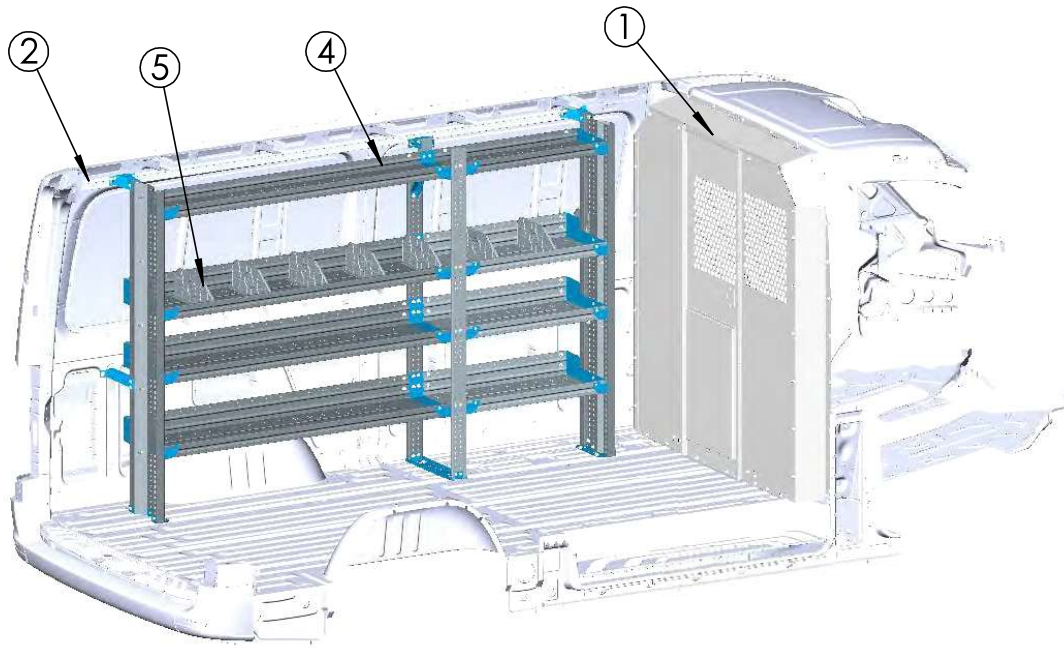
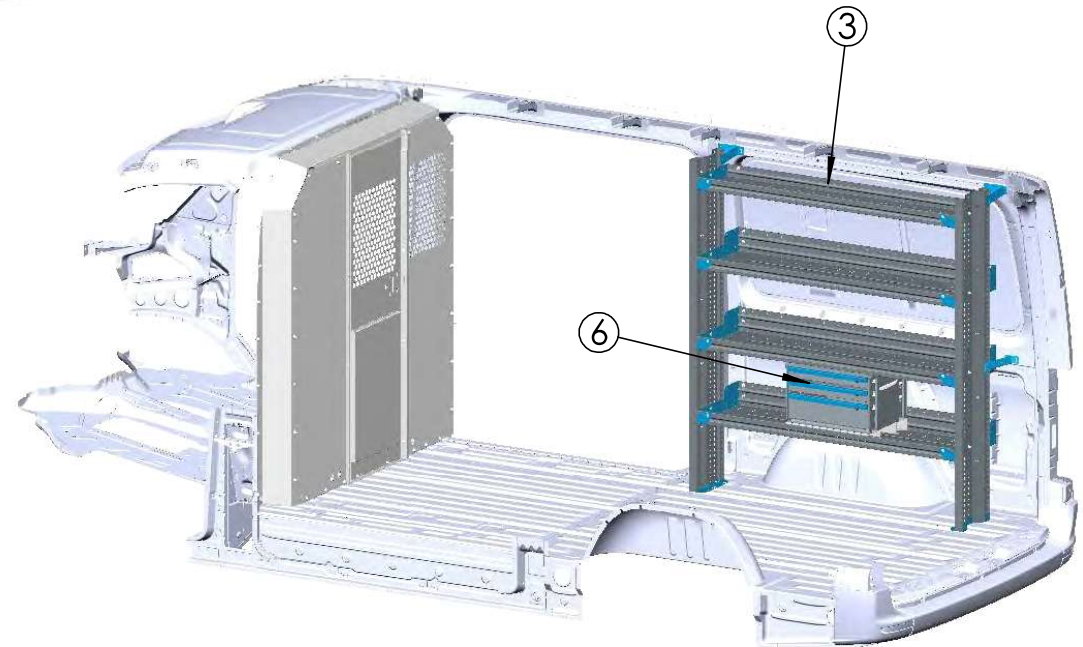


MERCEDES SPRINTER
MERCEDES ESSENTIAL PACKAGES





ITEM NO.	PART NUMBER	DESCRIPTION	QTY.
1	S1M2C2SPS2	STD SPR, M-C PERF, ND	1
2	ARKSP144	RAIL KIT,SP 144	1
3	AS-2T1454SPSA	SF UNIT,2T,14X54,SPS,A,4	1
4	AS-2T1490SPSA	SF UNIT,14X90,SPS,A,4	1
5	DIVK148	SHELF DIVIDER KIT,14D,8	1
6	ADUK1418A3C-RI	DRAWER UNIT,14X18,A,3,C,R	1



CAUTION: DRILL THRU FLOOR WITH CARE! WATCH FOR GAS TANK, CONTROL LINES, & ELECTRICAL WIRING.



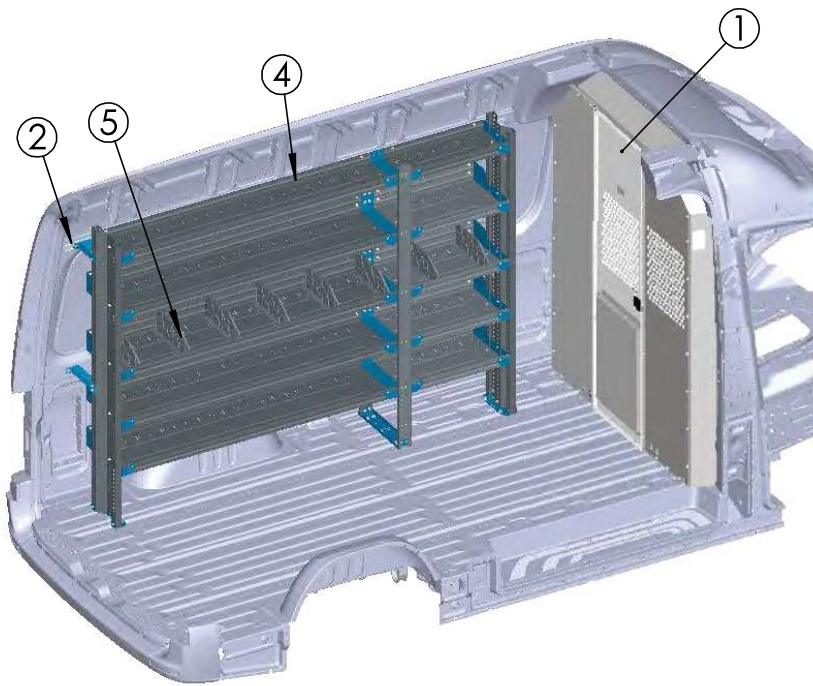
906 James Street
Adrian, Michigan 49221
517.265.6194
WWW.ADRIANSTEEL.COM

ALL DESIGNS AND DESIGN CONCEPTS ARE THE INTELLECTUAL PROPERTY OF ADRIAN STEEL COMPANY AND ARE NOT TO BE COPIED, DISTRIBUTED OR COMMUNICATED TO OUTSIDE PARTIES WITHOUT THE WRITTEN PERMISSION OF ADRIAN STEEL COMPANY. THE MATERIAL/CONCEPTS/DESIGNS CONTAINED WITHIN THIS DOCUMENT ARE FOR THE PURPOSE OF SUPPLYING PRODUCT TO POTENTIAL ADRIAN STEEL COMPANY CUSTOMERS.

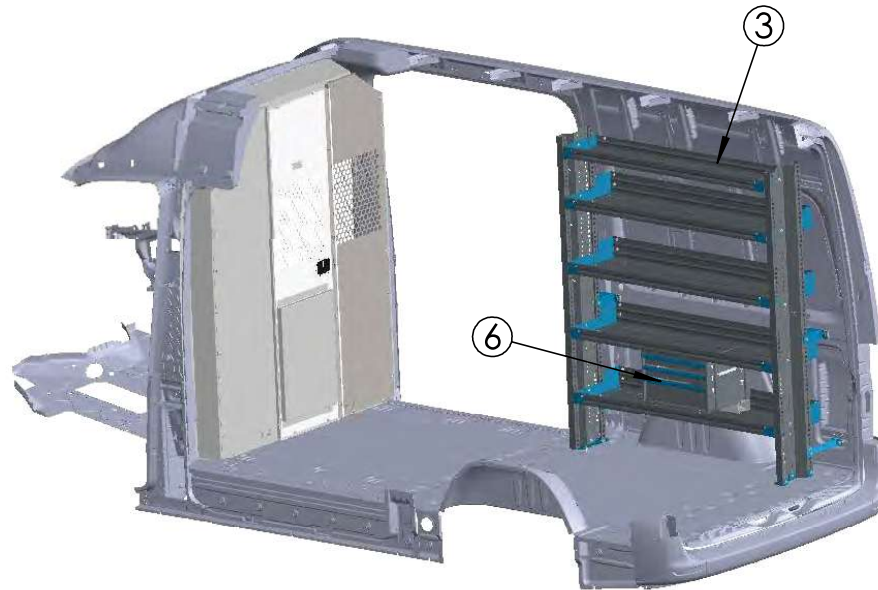
Drawn By: **GDR**
Date: **08/07/2025**
ECN No: **28499**
PDS No: **BIN-SPSR144B**

Customer: **BIN PACKAGE**
Vehicle: **SPRINTER 144SR**
Package Weight: **454.98**

Sheet: **1 of 1** Rev.: **A**



ITEM NO.	PART NUMBER	DESCRIPTION	QTY.
1	S1M2C2SPH2	HIGH SPR, M-C PERF, ND	1
2	ARKSP144	RAIL KIT,SP 144	1
3	AS-2T1454SPHA	SF UNIT,2T,14X54,SPH,A,5	1
4	AS-2T1490SPHA	SF UNIT,2T,14X90,SPH,A,5	1
5	DIVK148	SHELF DIVIDER KIT,14D,8	1
6	ADUK1418A3C-RI	DRAWER UNIT,14X18,A,3,C,R	1



CAUTION: DRILL THRU FLOOR WITH CARE! WATCH FOR GAS TANK, CONTROL LINES, & ELECTRICAL WIRING.



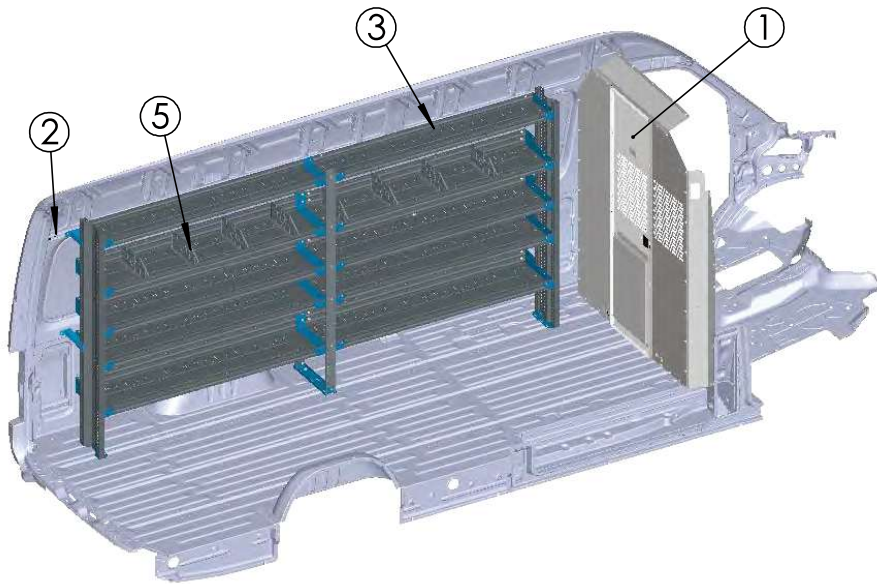
906 James Street
Adrian, Michigan 49221
517.265.6194
WWW.ADRIANSTEEL.COM

ALL DESIGNS AND DESIGN CONCEPTS ARE THE INTELLECTUAL PROPERTY OF ADRIAN STEEL COMPANY AND ARE NOT TO BE COPIED, DISTRIBUTED OR COMMUNICATED TO OUTSIDE PARTIES WITHOUT THE WRITTEN PERMISSION OF ADRIAN STEEL COMPANY. THE MATERIAL/CONCEPTS/DESIGNS CONTAINED WITHIN THIS DOCUMENT ARE FOR THE PURPOSE OF SUPPLYING PRODUCT TO POTENTIAL ADRIAN STEEL COMPANY CUSTOMERS.

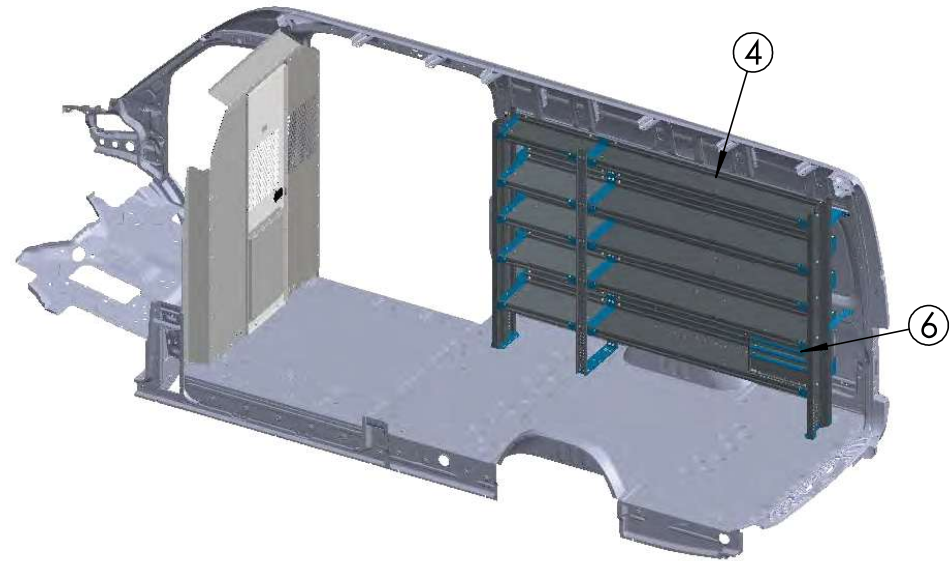
Drawn By: **GDR**
Date: **08/08/2025**
ECN No: **28499**
PDS No: **BIN-SPHR144B**

Customer: **BIN PACKAGE**
Vehicle: **SPRINTER 144HR**
Package Weight: **511.33**

Sheet: **1 of 1** Rev.: **A**



ITEM NO.	PART NUMBER	DESCRIPTION	QTY.
1	S1M2C2SPH2	HIGH SPR, M-C PERF, ND	1
2	ARKSPH170	RAIL KIT, SP HR 170	1
3	AS-2T14132SPHA	SF UNIT,2T,14X132,A,5	1
4	AS-2T1490SPHA	SF UNIT,2T,14X90,A,5	1
5	DIVK148	SHELF DIVIDER KIT,14D,8	1
6	ADUK1418A3C-RI	DRAWER UNIT,14X18,A,3,C,R	1



CAUTION: DRILL THRU FLOOR WITH CARE! WATCH FOR GAS TANK, CONTROL LINES, & ELECTRICAL WIRING.



906 James Street
Adrian, Michigan 49221
517.265.6194
WWW.ADRIANSTEEL.COM

ALL DESIGNS AND DESIGN CONCEPTS ARE THE INTELLECTUAL PROPERTY OF ADRIAN STEEL COMPANY AND ARE NOT TO BE COPIED, DISTRIBUTED OR COMMUNICATED TO OUTSIDE PARTIES WITHOUT THE WRITTEN PERMISSION OF ADRIAN STEEL COMPANY. THE MATERIAL/CONCEPTS/DESIGNS CONTAINED WITHIN THIS DOCUMENT ARE FOR THE PURPOSE OF SUPPLYING PRODUCT TO POTENTIAL ADRIAN STEEL COMPANY CUSTOMERS.

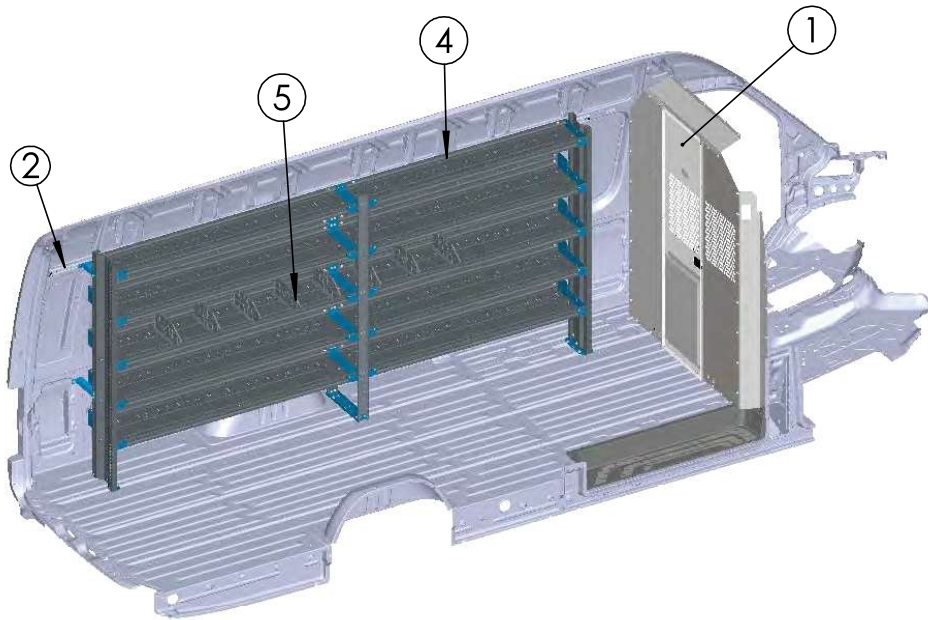
Drawn By: **GDR**
Date: **08/12/2025**
ECN No: **28499**
PDS No: **BIN-SPHR170B**

Customer: **BIN PACKAGE**
Vehicle: **SPRINTER 170HR**

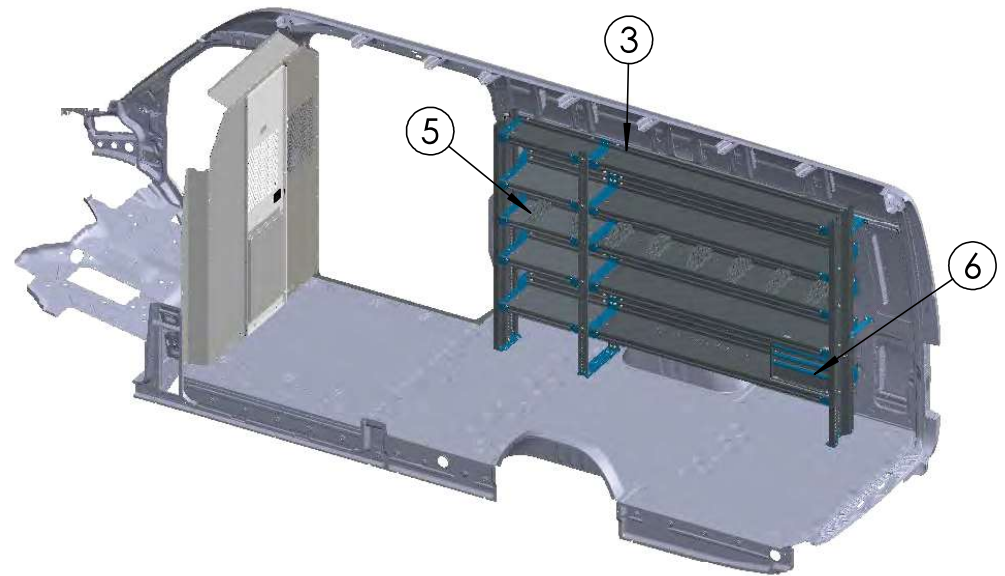
Package Weight: **654.69**

Sheet: **1 of 1**

Rev.: **A**



ITEM NO.	PART NUMBER	DESCRIPTION	QTY.
1	S1M2C2SPH2	HIGH SPR, M-C PERF, ND	1
2	ARKSPH170X	RAIL KIT, SP HR 170X	1
3	AS-2T1496SPHA	SF UNIT,2T,14X96,SPH,A,5	1
4	AS-2T14138SPHA	SF UNIT,2T,14X138,SPH,A,5	1
5	DIVK148	SHELF DIVIDER KIT,14D,8	2
6	ADUK1418A3C-RI	DRAWER UNIT,14X18,A,3,C,R	1



CAUTION: DRILL THRU FLOOR WITH CARE! WATCH FOR GAS TANK, CONTROL LINES, & ELECTRICAL WIRING.



906 James Street
Adrian, Michigan 49221
517.265.6194
WWW.ADRIANSTEEL.COM

ALL DESIGNS AND DESIGN CONCEPTS ARE THE INTELLECTUAL PROPERTY OF ADRIAN STEEL COMPANY AND ARE NOT TO BE COPIED, DISTRIBUTED OR COMMUNICATED TO OUTSIDE PARTIES WITHOUT THE WRITTEN PERMISSION OF ADRIAN STEEL COMPANY. THE MATERIAL/CONCEPTS/DESIGNS CONTAINED WITHIN THIS DOCUMENT ARE FOR THE PURPOSE OF SUPPLYING PRODUCT TO POTENTIAL ADRIAN STEEL COMPANY CUSTOMERS.

Drawn By: **GDR**

Date: **08/14/2025**

ECN No: **28499**

PDS No: **BIN-SPHR170XB**

Customer:

BIN PACKAGE

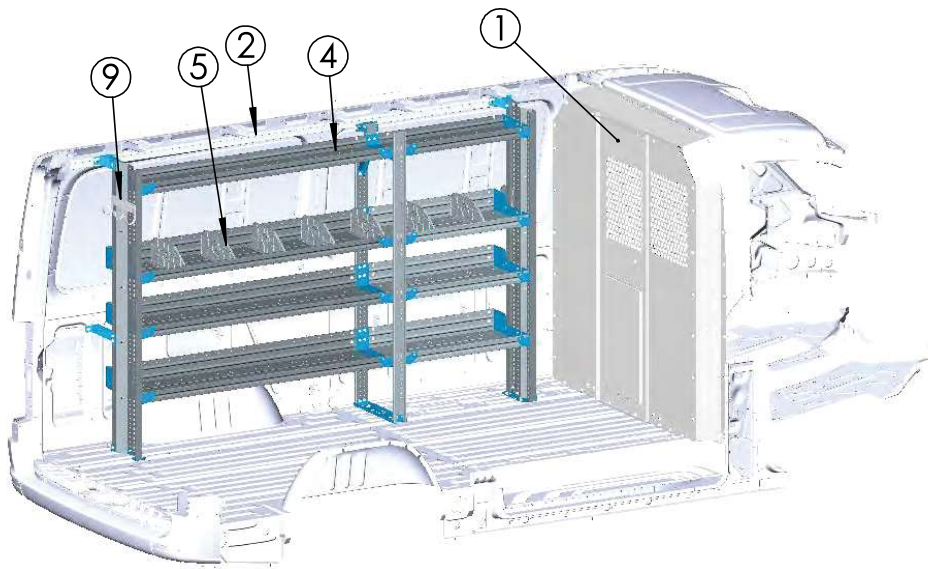
Vehicle

SPRINTER 170XHR

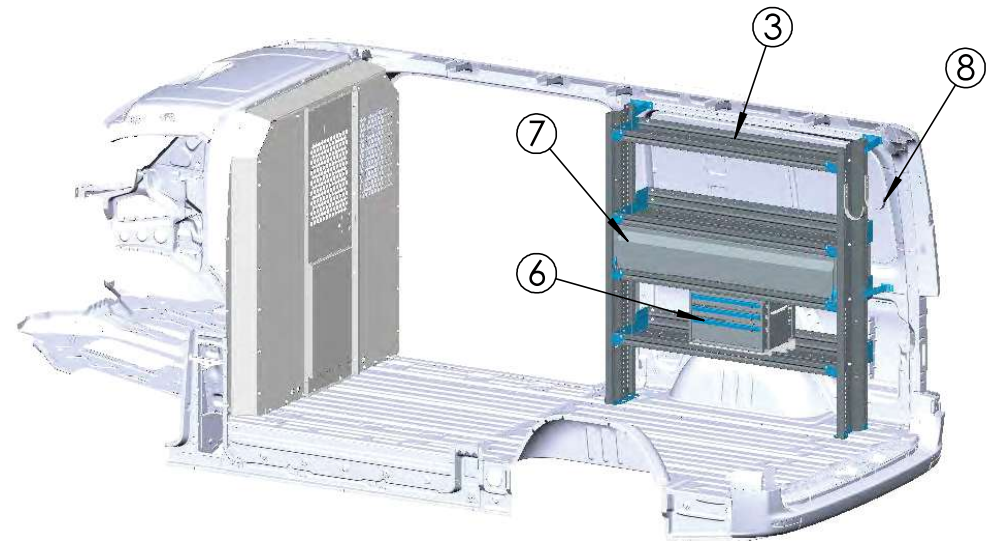
Package Weight: **678.59**

Sheet: **1 of 1**

Rev.: **A**



ITEM NO.	PART NUMBER	DESCRIPTION	QTY.
1	S1M2C2SPS2	STD SPR, M-C PERF, ND	1
2	ARKSP144	RAIL KIT,SP 144	1
3	AS-2T1454SPSA	SF UNIT,2T,14X54,SPS,A,4	1
4	AS-2T1490SPSA	SF UNIT,14X90,SPS,A,4	1
5	DIVK148	SHELF DIVIDER KIT,14D,8	1
6	ADUK1418A3C-RI	DRAWER UNIT,14X18,A,3,C,R	1
7	ADK1054A	DOOR KIT,10X54,A	1
8	UH50	HOOK 5"	2
9	UHB3	UTILITY HOOK BAR, 3	1



CAUTION: DRILL THRU FLOOR WITH CARE! WATCH FOR GAS TANK, CONTROL LINES, & ELECTRICAL WIRING.



906 James Street
Adrian, Michigan 49221
517.265.6194
WWW.ADRIANSTEEL.COM

ALL DESIGNS AND DESIGN CONCEPTS ARE THE INTELLECTUAL PROPERTY OF ADRIAN STEEL COMPANY AND ARE NOT TO BE COPIED, DISTRIBUTED OR COMMUNICATED TO OUTSIDE PARTIES WITHOUT THE WRITTEN PERMISSION OF ADRIAN STEEL COMPANY. THE MATERIAL/CONCEPTS/DESIGNS CONTAINED WITHIN THIS DOCUMENT ARE FOR THE PURPOSE OF SUPPLYING PRODUCT TO POTENTIAL ADRIAN STEEL COMPANY CUSTOMERS.

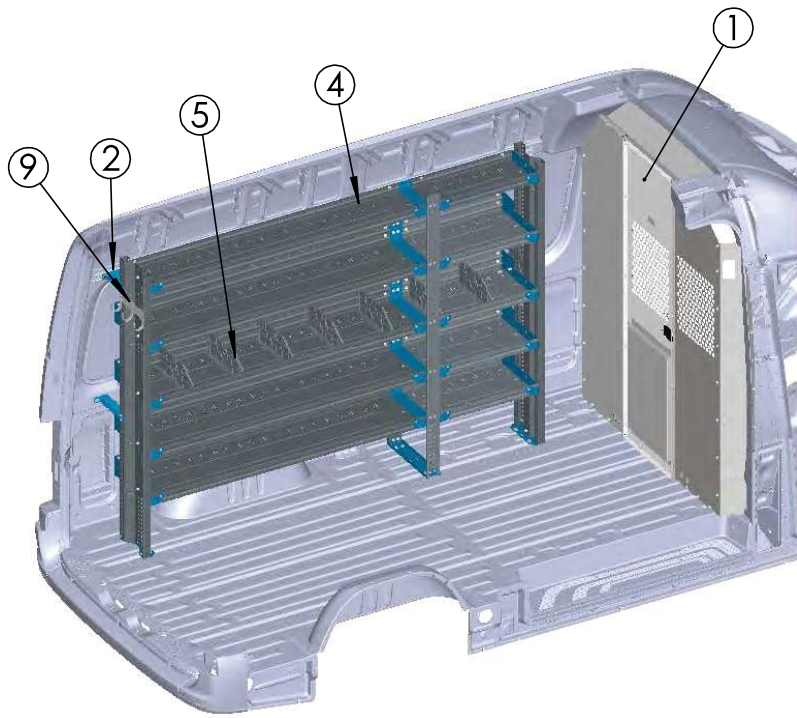
Drawn By: **GDR**
Date: **08/07/2025**
ECN No: **28499**
PDS No: **GEN-SPSR144B**

Customer: **GENERAL SERVICE PACKAGE**
Vehicle: **SPRINTER 144SR**

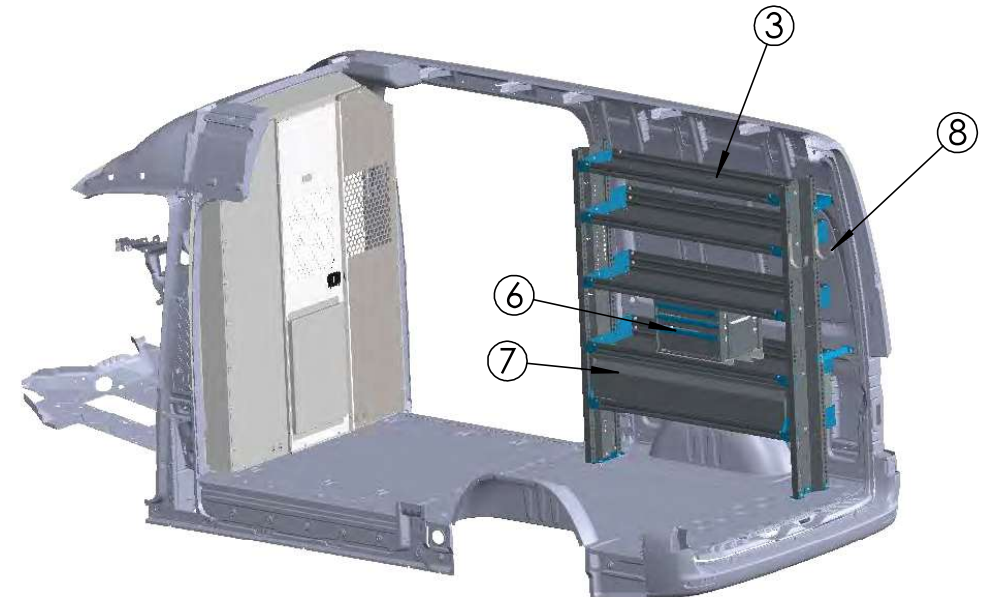
Package Weight: **526.33**

Sheet: **1 of 1**

Rev.: **A**



ITEM NO.	PART NUMBER	DESCRIPTION	QTY.
1	S1M2C2SPH2	HIGH SPR, M-C PERF, ND	1
2	ARKSP144	RAIL KIT, SP 144	1
3	AS-2T1454SPHA	SF UNIT, 2T, 14X54, SPH, A, 5	1
4	AS-2T1490SPHA	SF UNIT, 2T, 14X90, A, 5	1
5	DIVK148	SHELF DIVIDER KIT, 14D, 8	1
6	ADUK1418A3C-RI	DRAWER UNIT, 14X18, A, 3, C, R	1
7	ADK1054A	DOOR KIT, 10X54, A	1
8	UH50	HOOK 5"	2
9	UHB3	UTILITY HOOK BAR, 3	1



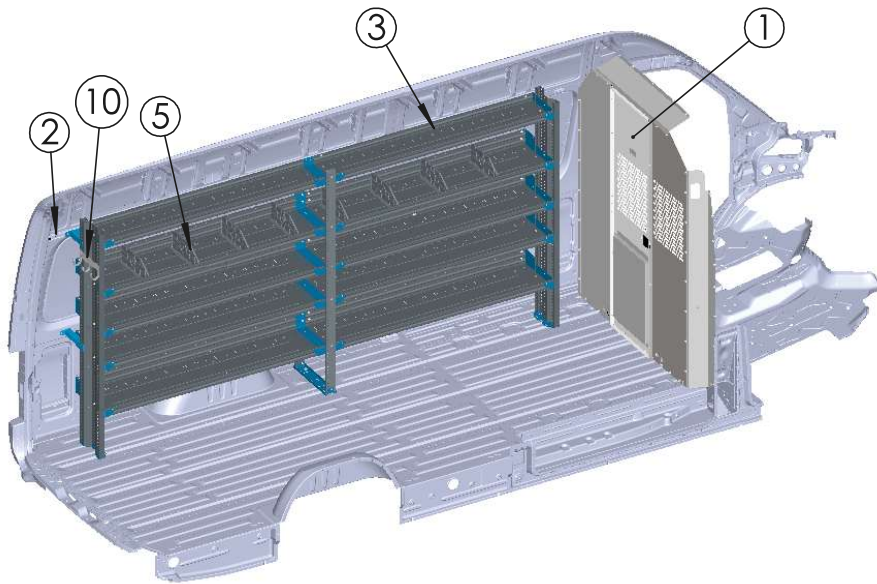
CAUTION: DRILL THRU FLOOR WITH CARE! WATCH FOR GAS TANK, CONTROL LINES, & ELECTRICAL WIRING.



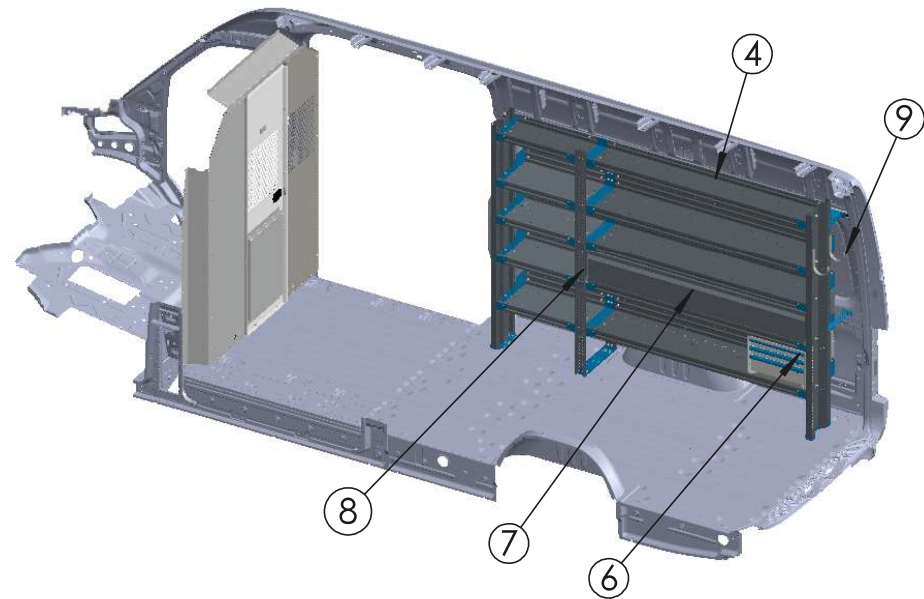
906 James Street
 Adrian, Michigan 49221
 517.265.6194
 WWW.ADRIANSTEEL.COM

ALL DESIGNS AND DESIGN CONCEPTS ARE THE INTELLECTUAL PROPERTY OF ADRIAN STEEL COMPANY AND ARE NOT TO BE COPIED, DISTRIBUTED OR COMMUNICATED TO OUTSIDE PARTIES WITHOUT THE WRITTEN PERMISSION OF ADRIAN STEEL COMPANY. THE MATERIAL/CONCEPTS/DESIGNS CONTAINED WITHIN THIS DOCUMENT ARE FOR THE PURPOSE OF SUPPLYING PRODUCT TO POTENTIAL ADRIAN STEEL COMPANY CUSTOMERS.

Drawn By:	GDR	Customer:	GENERAL SERVICE PACKAGE		
Date:	08/11/2025				
ECN No:	28499	Vehicle	SPRINTER 144HR		
PDS No:	GEN-SPHR144B	Package Weight:	584.77	Sheet:	1 of 1
				Rev.:	A



ITEM NO.	PART NUMBER	DESCRIPTION	QTY.
1	S1M2C2SPH2	HIGH SPR, M-C PERF, ND	1
2	ARKSPH170	RAIL KIT, SP HR 170	1
3	AS-2T14132SPHA	SF UNIT,2T,14X132,A,5	1
4	AS-2T1490SPHA	SF UNIT,2T,14X90,A,5	1
5	DIVK148	SHELF DIVIDER KIT,14D,8	1
6	ADUK1418A3C-RI	DRAWER UNIT,14X18,A,3,C,R	1
7	ADK1066A	DOOR KIT,10X66,A	1
8	ADKFP14A	DOUBLE SHELVE 14" FILLER PANEL,DOOR KIT	1
9	UH50	HOOK 5"	2
10	UHB3	UTILITY HOOK BAR, 3	1



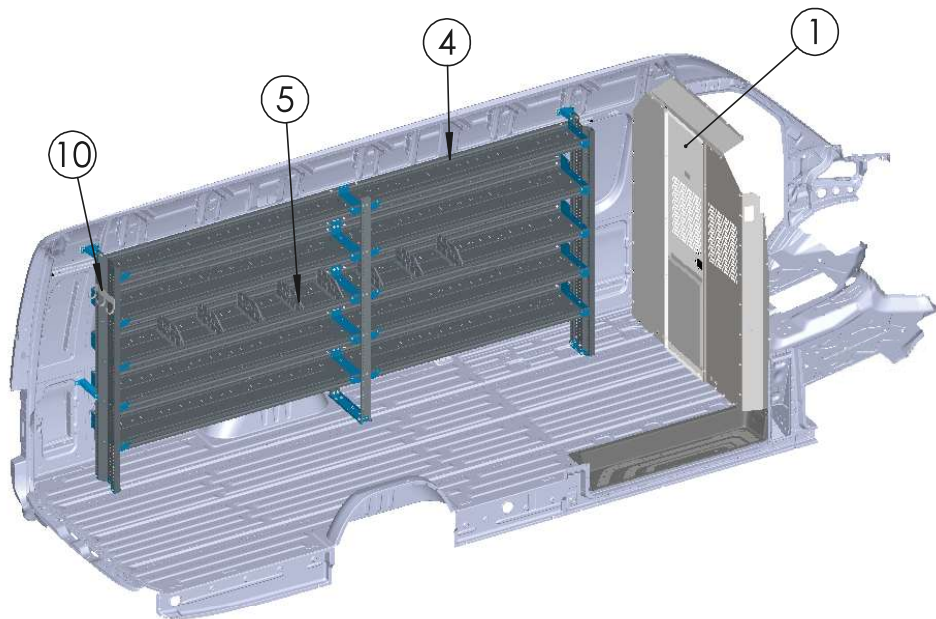
CAUTION: DRILL THRU FLOOR WITH CARE! WATCH FOR GAS TANK, CONTROL LINES, & ELECTRICAL WIRING.



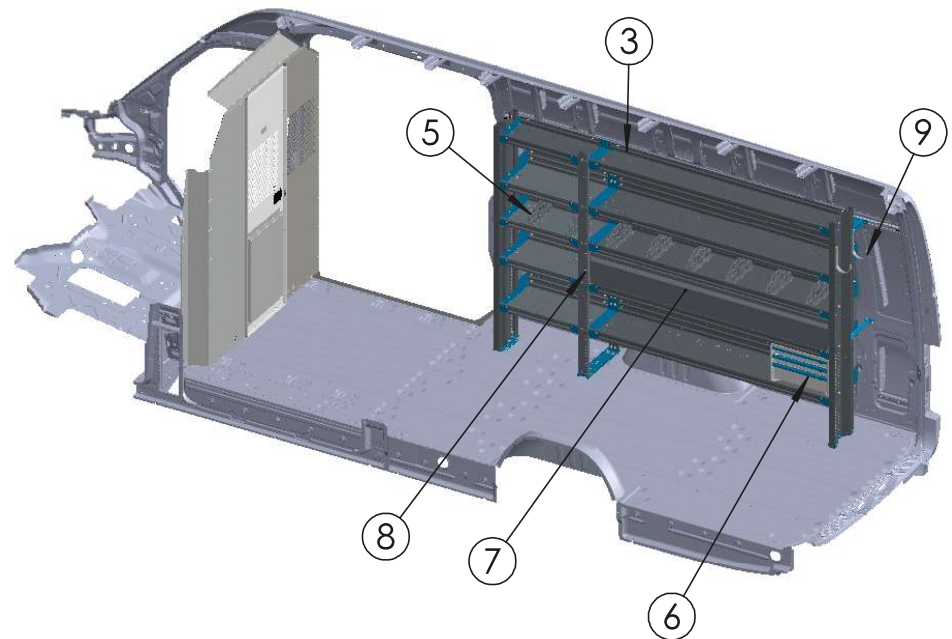
906 James Street
Adrian, Michigan 49221
517.265.6194
WWW.ADRIANSTEEL.COM

ALL DESIGNS AND DESIGN CONCEPTS ARE THE INTELLECTUAL PROPERTY OF ADRIAN STEEL COMPANY AND ARE NOT TO BE COPIED, DISTRIBUTED OR COMMUNICATED TO OUTSIDE PARTIES WITHOUT THE WRITTEN PERMISSION OF ADRIAN STEEL COMPANY.
THE MATERIAL/CONCEPTS/DESIGNS CONTAINED WITHIN THIS DOCUMENT ARE FOR THE PURPOSE OF SUPPLYING PRODUCT TO POTENTIAL ADRIAN STEEL COMPANY CUSTOMERS.

Drawn By:	GDR	Customer:	GENERAL SERVICE PACKAGE		
Date:	2-15-26				
ECN No:	29175	Vehicle	SPRINTER 170HR		
PDS No:	GEN-SPHR170B	Package Weight:	732.31	Sheet:	1 of 1
				Rev.:	B



ITEM NO.	PART NUMBER	DESCRIPTION	QTY.
1	S1M2C2SPH2	HIGH SPR, M-C PERF, ND	1
2	ARKSPH170X	RAIL KIT, SP HR 170X	1
3	AS-2T1496SPHA	SF UNIT,2T,14X96,SPH,A,5	1
4	AS-2T14138SPHA	SF UNIT,2T,14X138,SPH,A,5	1
5	DIVK148	SHELF DIVIDER KIT,14D,8	2
6	ADUK1418A3C-RI	DRAWER UNIT,14X18,A,3,C,R	1
7	ADK1072A	DOOR KIT,10X72,A	1
8	ADKFP14A	DOUBLE SHELVE 14" FILLER PANEL,DOOR KIT	1
9	UH50	HOOK 5"	2
10	UHB3	UTILITY HOOK BAR, 3	1



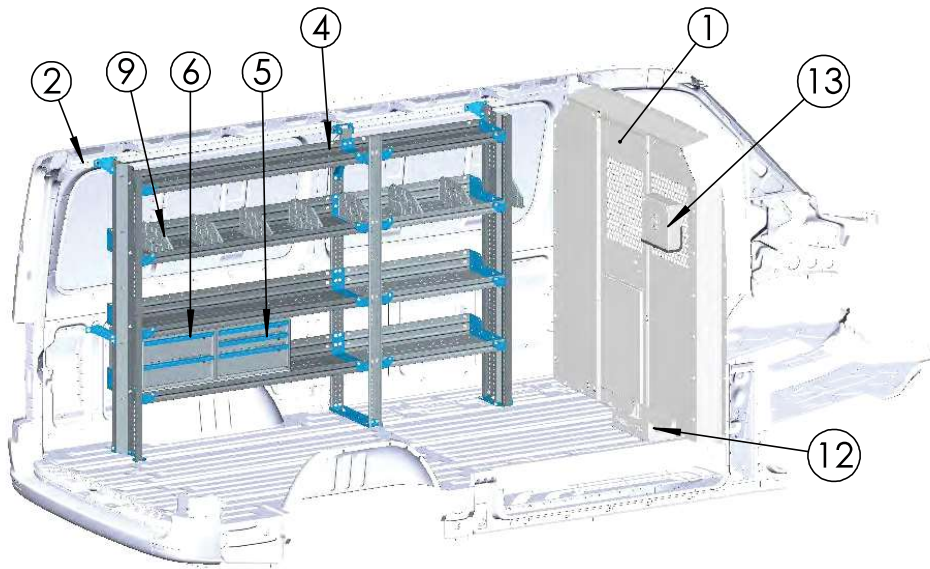
CAUTION: DRILL THRU FLOOR WITH CARE! WATCH FOR GAS TANK, CONTROL LINES, & ELECTRICAL WIRING.



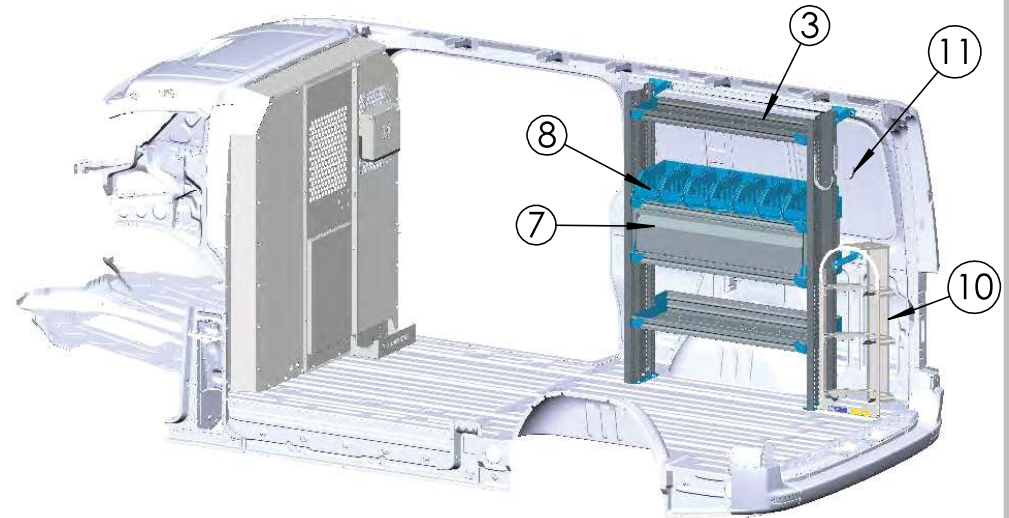
906 James Street
Adrian, Michigan 49221
517.265.6194
WWW.ADRIANSTEEL.COM

ALL DESIGNS AND DESIGN CONCEPTS ARE THE INTELLECTUAL PROPERTY OF ADRIAN STEEL COMPANY AND ARE NOT TO BE COPIED, DISTRIBUTED OR COMMUNICATED TO OUTSIDE PARTIES WITHOUT THE WRITTEN PERMISSION OF ADRIAN STEEL COMPANY.
THE MATERIAL/CONCEPTS/DESIGNS CONTAINED WITHIN THIS DOCUMENT ARE FOR THE PURPOSE OF SUPPLYING PRODUCT TO POTENTIAL ADRIAN STEEL COMPANY CUSTOMERS.

Drawn By:	GDR	Customer:	GENERAL SERVICE PACKAGE	
Date:	2-15-26	Vehicle:	SPRINTER 170XHR	
ECN No:	29175	PDS No:	GEN-SPHR170XB	Package Weight:
			760.38	Sheet:
				1 of 1
				Rev.:
				B



ITEM NO.	PART NUMBER	DESCRIPTION	QTY.
1	S1M2C2SPS2	STD SPR, M-C PERF, ND	1
2	ARKSP144	RAIL KIT, SP 144	1
3	AS-2T1442SPSA	SF UNIT, 2T, 14X42, SPS, A, 4	1
4	AS-2T1484SPSA	SF UNIT, 2T, 14X84, SPS, A, 4	1
5	ADUK1418A3C-RI	DRAWER UNIT, 14X18, A, 3, C, R	1
6	ADUK1418A2T-RI	DRAWER UNIT, 14X18, A, 2, T, R	1
7	ADK1042A	DOOR KIT, 10X42, A	1
8	BIN614	BIN, 6W X 14D	7
9	DIVK148	SHELF DIVIDER KIT, 14D, 8	1
10	230150TR	TANK RACK, 2-30LB 50LB TANKS	1
11	UH50	HOOK 5"	2
12	VPH1	HVAC PUMP STORAGE KIT	1
13	GC1	HVAC GAUGE COVER KIT	1



CAUTION: DRILL THRU FLOOR WITH CARE! WATCH FOR GAS TANK, CONTROL LINES, & ELECTRICAL WIRING.



906 James Street
Adrian, Michigan 49221
517.265.6194
WWW.ADRIANSTEEL.COM

ALL DESIGNS AND DESIGN CONCEPTS ARE THE INTELLECTUAL PROPERTY OF ADRIAN STEEL COMPANY AND ARE NOT TO BE COPIED, DISTRIBUTED OR COMMUNICATED TO OUTSIDE PARTIES WITHOUT THE WRITTEN PERMISSION OF ADRIAN STEEL COMPANY. THE MATERIAL/CONCEPTS/DESIGNS CONTAINED WITHIN THIS DOCUMENT ARE FOR THE PURPOSE OF SUPPLYING PRODUCT TO POTENTIAL ADRIAN STEEL COMPANY CUSTOMERS.

Drawn By: **GDR**

Date: **08/08/2025**

ECN No: **28499**

PDS No: **HVAC-SPSR144B**

Customer:

HVAC STARTER PACKAGE

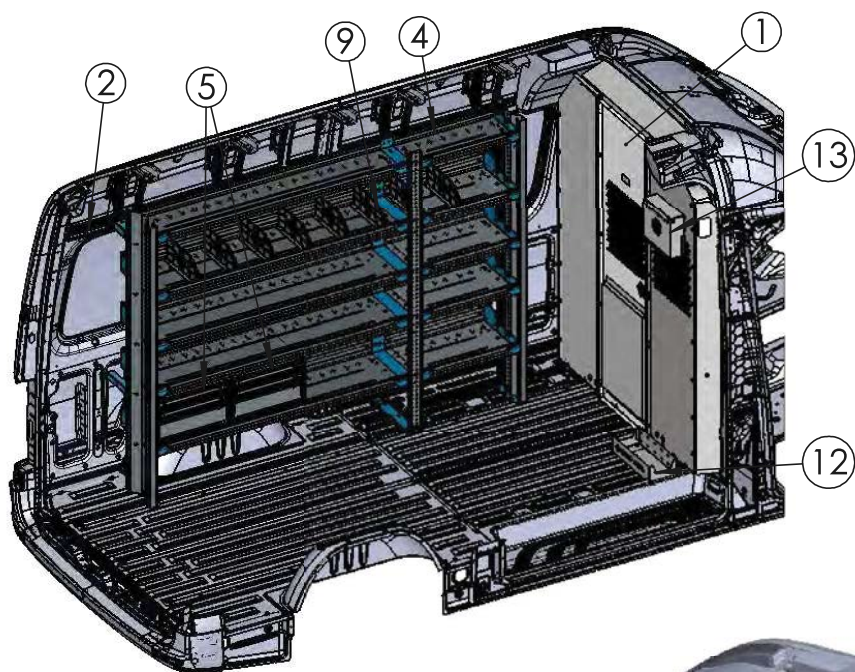
Vehicle

SPRINTER 144SR

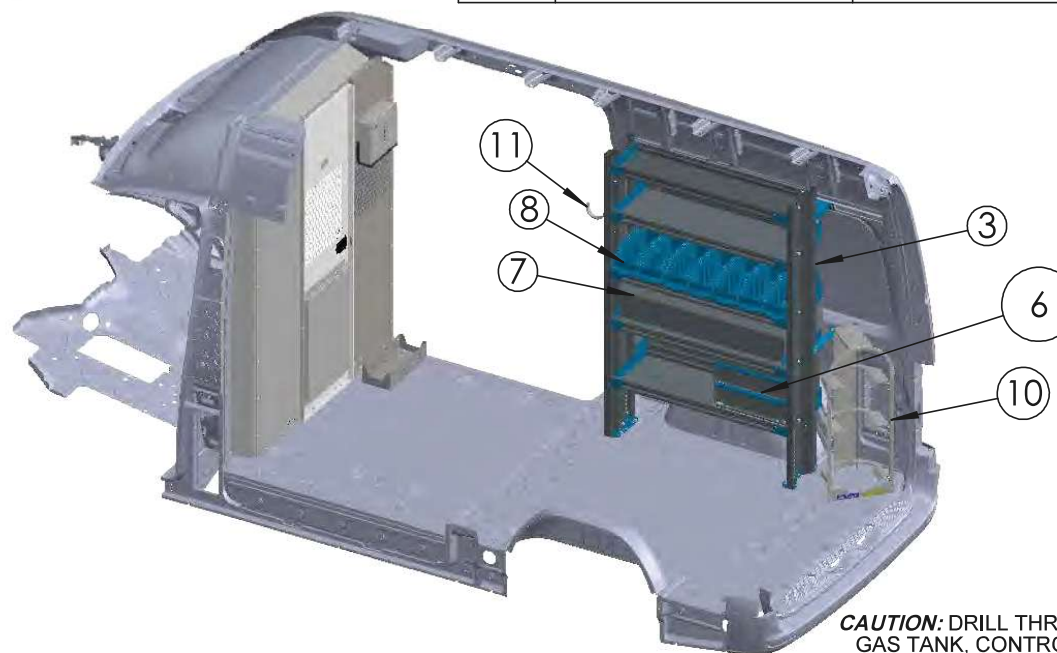
Package Weight: **652.50**

Sheet: **1 of 1**

Rev.: **A**



ITEM NO.	PART NUMBER	DESCRIPTION	QTY.
1	S1M2C2SPH2	HIGH SPR, M-C PERF, ND	1
2	ARKSP144	RAIL KIT, SP 144	1
3	AS-2T1442SPHA	SF UNIT, 2T, 14X42, SPH, A, 5	1
4	AS-2T1484SPHA	SF UNIT, 2T, 14X84, SPH, A, 5	1
5	ADUK1418A3C-RI	DRAWER UNIT, 14X18, A, 3, C, R	2
6	ADUK1418A2T-RI	DRAWER UNIT, 14X18, A, 2, T, R	1
7	ADK1042A	DOOR KIT, 10X42, A	1
8	BIN614	BIN, 6W X 14D	7
9	DIVK148	SHELF DIVIDER KIT, 14D, 8	1
10	230150TR	TANK RACK, 2-30LB 50LB TANKS	1
11	UH50	HOOK 5"	2
12	VPH1	HVAC PUMP STORAGE KIT	1
13	GC1	HVAC GAUGE COVER KIT	1



CAUTION: DRILL THRU FLOOR WITH CARE! WATCH FOR GAS TANK, CONTROL LINES, & ELECTRICAL WIRING.



906 James Street
Adrian, Michigan 49221
517.265.6194
WWW.ADRIANSTEEL.COM

ALL DESIGNS AND DESIGN CONCEPTS ARE THE INTELLECTUAL PROPERTY OF ADRIAN STEEL COMPANY AND ARE NOT TO BE COPIED, DISTRIBUTED OR COMMUNICATED TO OUTSIDE PARTIES WITHOUT THE WRITTEN PERMISSION OF ADRIAN STEEL COMPANY. THE MATERIAL/CONCEPTS/DESIGNS CONTAINED WITHIN THIS DOCUMENT ARE FOR THE PURPOSE OF SUPPLYING PRODUCT TO POTENTIAL ADRIAN STEEL COMPANY CUSTOMERS.

Drawn By: **GDR**

Date: **08/11/2025**

ECN No: **28499**

PDS No: **HVAC-SPHR144B**

Customer:

HVAC STARTER PACKAGE

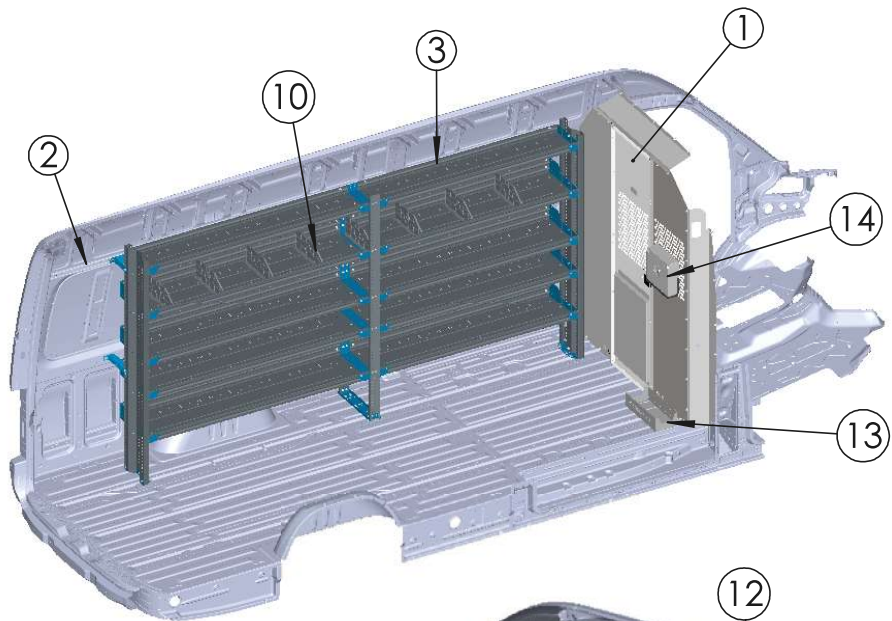
Vehicle

SPRINTER 144HR

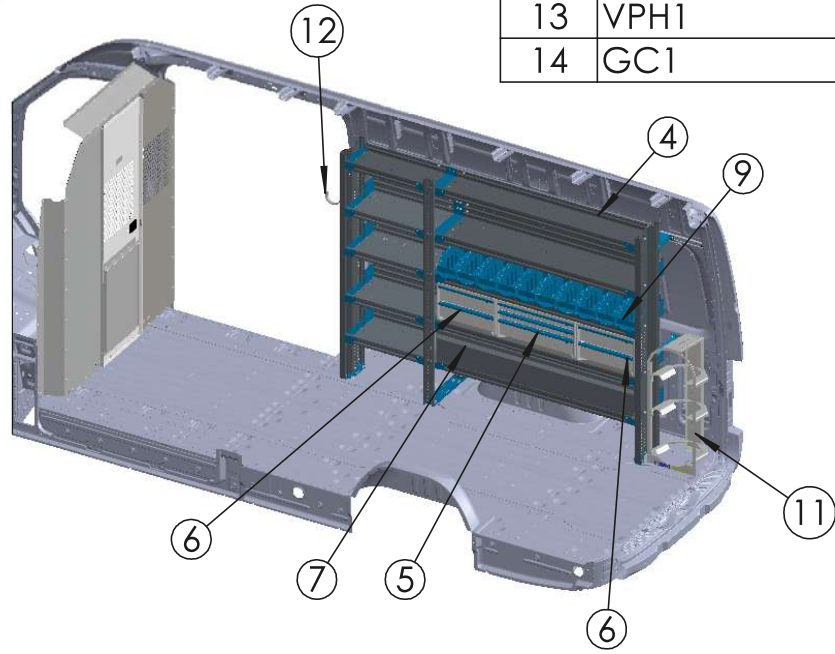
Package Weight: **712.94**

Sheet: **1 of 1**

Rev.: **A**



ITEM NO.	PART NUMBER	DESCRIPTION	QTY.
1	S1M2C2SPH2	HIGH SPR, M-C PERF, ND	1
2	ARKSPH170	RAIL KIT, SP HR 170	1
3	AS-2T14120SPHA	SF UNIT,2T,14X120,SPH,A,5	1
4	AS-2T1484SPHA	SF UNIT,2T,14X84,SPH,A,5	1
5	ADUK1424A3C-RI	DRAWER UNIT,14X18,A,3,C,R	1
6	ADUK1418A2T-RI	DRAWER UNIT,14X18,A,3,C,R	2
7	ADK1060A	DOOR KIT,10X60,A	1
8	ADKFP14A	DOUBLE SHELVE 14" FILLER PANEL,DOOR KIT	1
9	BIN614	BIN, 6W X 14D	10
10	DIVK148	SHELF DIVIDER KIT,14D,8	1
11	230150TR	TANK RACK, 2-30LB 50LB TANKS	1
12	UH50	HOOK 5"	2
13	VPH1	HVAC PUMP STORAGE KIT	1
14	GC1	HVAC GAUGE COVER KIT	1



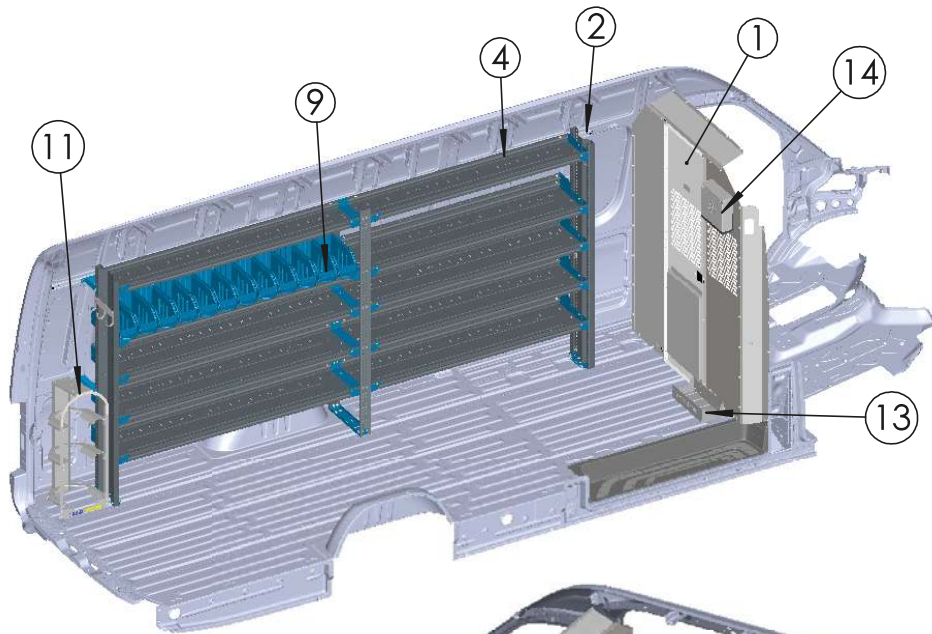
CAUTION: DRILL THRU FLOOR WITH CARE! WATCH FOR GAS TANK, CONTROL LINES, & ELECTRICAL WIRING.



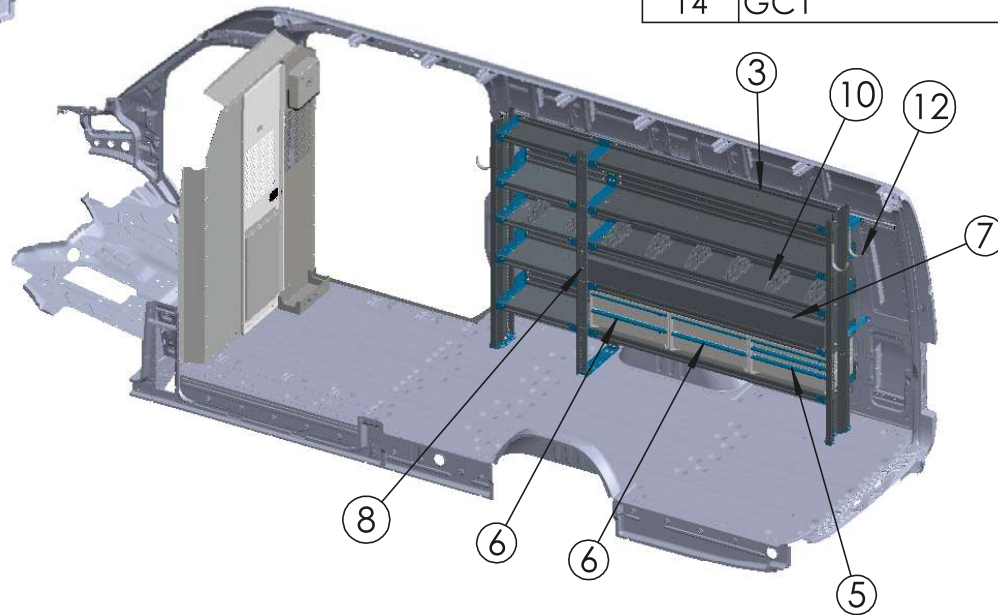
906 James Street
Adrian, Michigan 49221
517.265.6194
WWW.ADRIANSTEEL.COM

ALL DESIGNS AND DESIGN CONCEPTS ARE THE INTELLECTUAL PROPERTY OF ADRIAN STEEL COMPANY AND ARE NOT TO BE COPIED, DISTRIBUTED OR COMMUNICATED TO OUTSIDE PARTIES WITHOUT THE WRITTEN PERMISSION OF ADRIAN STEEL COMPANY. THE MATERIAL/CONCEPTS/DESIGNS CONTAINED WITHIN THIS DOCUMENT ARE FOR THE PURPOSE OF SUPPLYING PRODUCT TO POTENTIAL ADRIAN STEEL COMPANY CUSTOMERS.

Drawn By:	GDR	Customer:	HVAC STARTER PACKAGE		
Date:	2-15-26	Vehicle:	SPRINTER 170HR		
ECN No.:	29175	Package Weight:	898.78	Sheet:	1 of 1
PDS No.:	HVAC-SPHR170B	Rev.:	B		



ITEM NO.	PART NUMBER	DESCRIPTION	QTY.
1	S1M2C2SPH2	HIGH SPR, M-C PERF, ND	1
2	ARKSPH170X	RAIL KIT, SP HR 170X	1
3	AS-2T1496SPHA	SF UNIT,2T,14X96,SPH,A,5	1
4	AS-2T14138SPHA	SF UNIT,2T,14X138,SPH,A,5	1
5	ADUK1424A3C-RI	DRAWER UNIT,14X18,A,3,C,R	1
6	ADUK1424A2T-RI	DRAWER UNIT,14X18,A,3,C,R	2
7	ADK1072A	DOOR KIT,10X72,A	1
8	ADKFP14A	DOUBLE SHELVE 14" FILLER PANEL,DOOR KIT	1
9	BIN614	BIN, 6W X 14D	12
10	DIVK148	SHELF DIVIDER KIT,14D,8	1
11	230150TR	TANK RACK, 2-30LB 50LB TANKS	1
12	UH50	HOOK 5"	2
13	VPH1	HVAC PUMP STORAGE KIT	1
14	GC1	HVAC GAUGE COVER KIT	1



CAUTION: DRILL THRU FLOOR WITH CARE! WATCH FOR GAS TANK, CONTROL LINES, & ELECTRICAL WIRING.

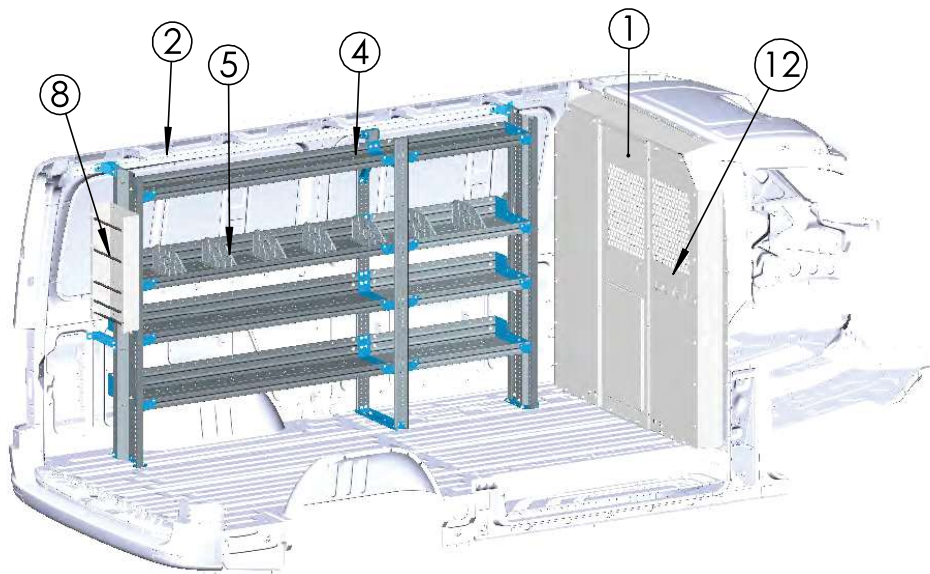


906 James Street
Adrian, Michigan 49221
517.265.6194
WWW.ADRIANSTEEL.COM

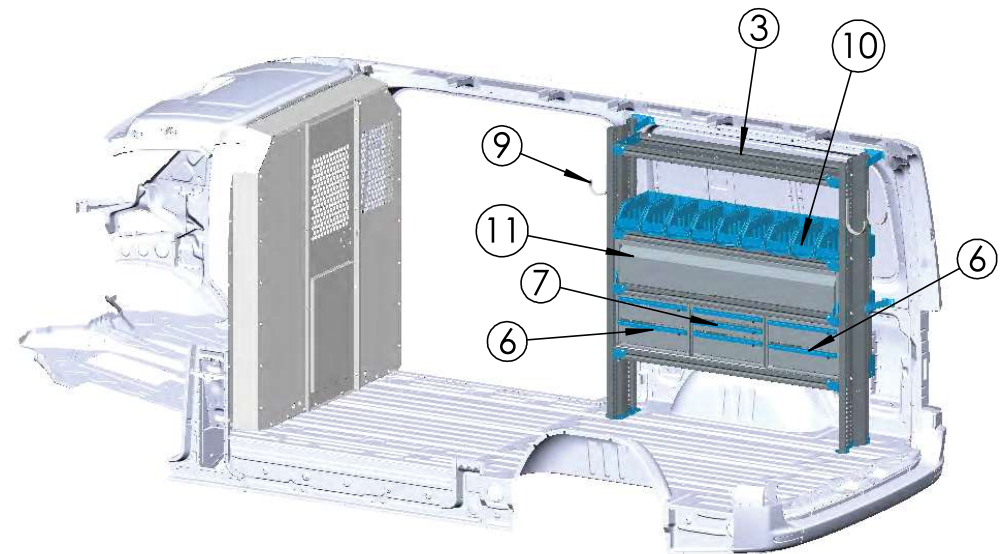
ALL DESIGNS AND DESIGN CONCEPTS ARE THE INTELLECTUAL PROPERTY OF ADRIAN STEEL COMPANY AND ARE NOT TO BE COPIED, DISTRIBUTED OR COMMUNICATED TO OUTSIDE PARTIES WITHOUT THE WRITTEN PERMISSION OF ADRIAN STEEL COMPANY.
THE MATERIAL/CONCEPTS/DESIGNS CONTAINED WITHIN THIS DOCUMENT ARE FOR THE PURPOSE OF SUPPLYING PRODUCT TO POTENTIAL ADRIAN STEEL COMPANY CUSTOMERS.

Drawn By: **GDR**
Date: **2-15-15**
ECN No.: **29175**
PDS No.: **HVAC-SPHR170XB**

Customer: **HVAC STARTER PACKAGE**
Vehicle: **SPRINTER 170XHR**
Package Weight: **959.47**
Sheet: **1 of 1**
Rev.: **B**



ITEM NO.	PART NUMBER	DESCRIPTION	QTY.
1	S1M2C2SPS2	STD SPR, M-C PERF, ND	1
2	ARKSP144	RAIL KIT, SP 144	1
3	AS-2T1454SPSA	SF UNIT, 2T, 14X54, SPS, A, 4	1
4	AS-2T1490SPSA	SF UNIT, 14X90, SPS, A, 4	1
5	DIVK148	SHELF DIVIDER KIT, 14D, 8	1
6	ADUK1418A2T-RI	DRAWER UNIT, 14X18, A, 2, T, R	2
7	ADUK1418A3C-RI	DRAWER UNIT, 14X18, A, 3, C, R	1
8	WRH5	WIRE REEL HOLDER	1
9	UH50	HOOK 5"	4
10	BIN614	BIN, 6W X 14D	9
11	ADK1054A	DOOR KIT, 10X54, A	1
12	UHB3	UTILITY HOOK BAR, 3	1



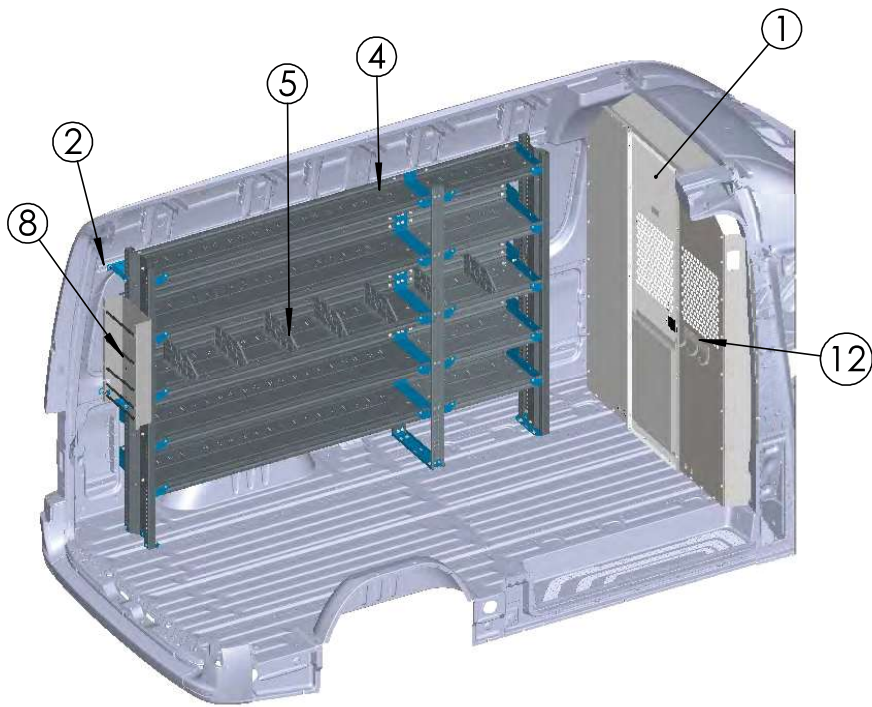
CAUTION: DRILL THRU FLOOR WITH CARE! WATCH FOR GAS TANK, CONTROL LINES, & ELECTRICAL WIRING.



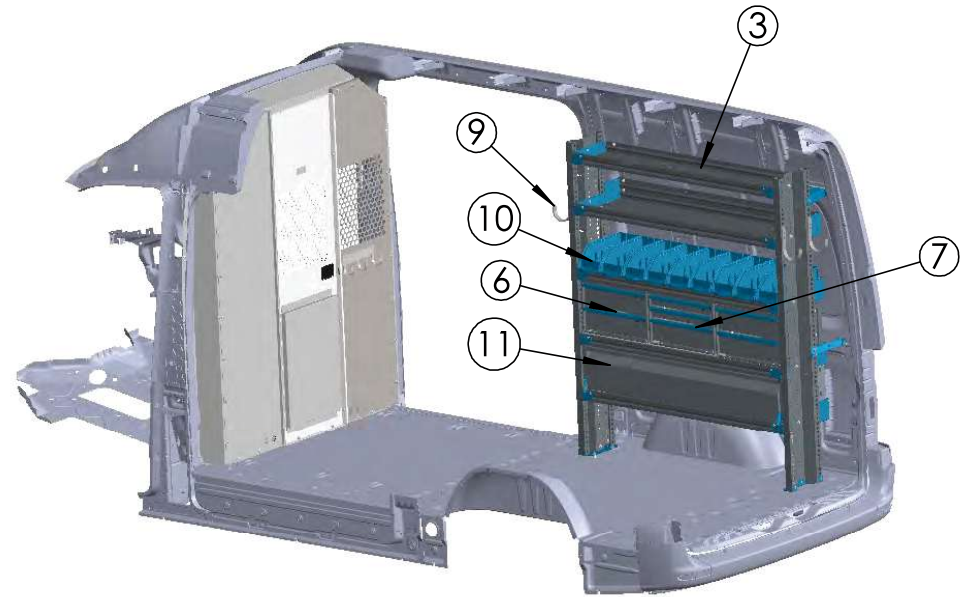
906 James Street
Adrian, Michigan 49221
517.265.6194
WWW.ADRIANSTEEL.COM

ALL DESIGNS AND DESIGN CONCEPTS ARE THE INTELLECTUAL PROPERTY OF ADRIAN STEEL COMPANY AND ARE NOT TO BE COPIED, DISTRIBUTED OR COMMUNICATED TO OUTSIDE PARTIES WITHOUT THE WRITTEN PERMISSION OF ADRIAN STEEL COMPANY.
THE MATERIAL/CONCEPTS/DESIGNS CONTAINED WITHIN THIS DOCUMENT ARE FOR THE PURPOSE OF SUPPLYING PRODUCT TO POTENTIAL ADRIAN STEEL COMPANY CUSTOMERS.

Drawn By:	GDR	Customer:	ELECTRICAL STARTER PACKAGE		
Date:	09/30/25				
ECN No:	28676	Vehicle	SPRINTER 144SR		
PDS No:	ELE-SPSR144B	Package Weight:	509.01	Sheet:	1 of 1
				Rev.:	B



ITEM NO.	PART NUMBER	DESCRIPTION	QTY.
1	S1M2C2SPH2	HIGH SPR, M-C PERF, ND	1
2	ARKSP144	RAIL KIT,SP 144	1
3	AS-2T1454SPHA	SF UNIT,2T,14X54,SPH,A,5	1
4	AS-2T1490SPHA	SF UNIT,2T,14X90,A,5	1
5	DIVK148	SHELF DIVIDER KIT,14D,8	1
6	ADUK1418A2T-RI	DRAWER UNIT,14X18,A,2,T,R	2
7	ADUK1418A3C-RI	DRAWER UNIT,14X18,A,3,C,R	1
8	WRH5	WIRE REEL HOLDER	1
9	UH50	HOOK 5"	4
10	BIN614	BIN, 6W X 14D	9
11	ADK1054A	DOOR KIT,10X54,A	1
12	UHB3	UTILITY HOOK BAR, 3	1



CAUTION: DRILL THRU FLOOR WITH CARE! WATCH FOR GAS TANK, CONTROL LINES, & ELECTRICAL WIRING.

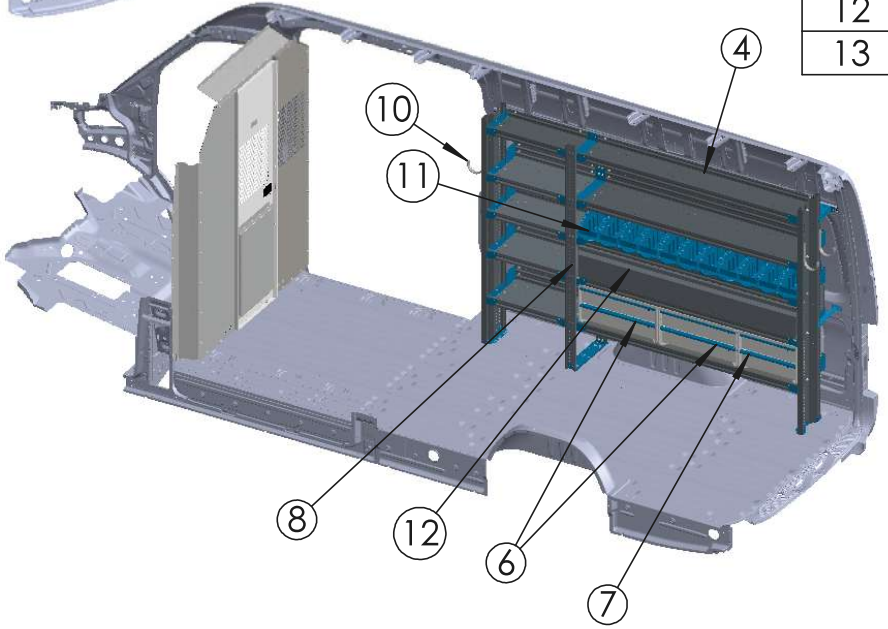
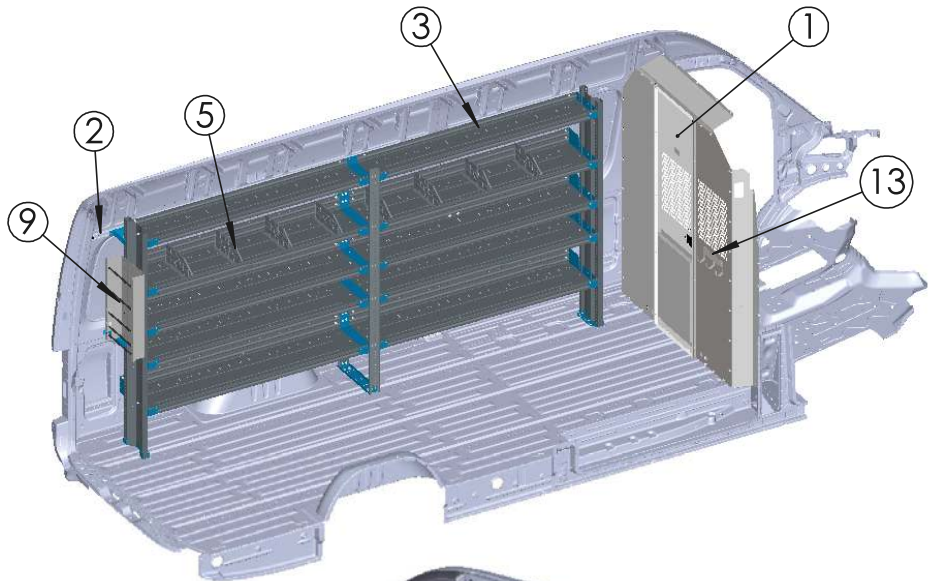


906 James Street
Adrian, Michigan 49221
517.265.6194
WWW.ADRIANSTEEL.COM

ALL DESIGNS AND DESIGN CONCEPTS ARE THE INTELLECTUAL PROPERTY OF ADRIAN STEEL COMPANY AND ARE NOT TO BE COPIED, DISTRIBUTED OR COMMUNICATED TO OUTSIDE PARTIES WITHOUT THE WRITTEN PERMISSION OF ADRIAN STEEL COMPANY. THE MATERIAL/CONCEPTS/DESIGNS CONTAINED WITHIN THIS DOCUMENT ARE FOR THE PURPOSE OF SUPPLYING PRODUCT TO POTENTIAL ADRIAN STEEL COMPANY CUSTOMERS.

Drawn By: **GDR**
Date: **09/30/25**
ECN No: **28676**
PDS No: **ELE-SPHR144B**

Customer: **ELECTRICAL STARTER PACKAGE**
Vehicle: **SPRINTER 144HR**
Package Weight: **565.35**
Sheet: **1 of 1**
Rev.: **B**



ITEM NO.	PART NUMBER	DESCRIPTION	QTY.
1	S1M2C2SPH2	HIGH SPR, M-C PERF, ND	1
2	ARKSPH170	RAIL KIT, SP HR 170	1
3	AS-2T14132SPHA	SF UNIT,2T,14X132,A,5	1
4	AS-2T1490SPHA	SF UNIT,2T,14X90,A,5	1
5	DIVK148	SHELF DIVIDER KIT,14D,8	1
6	ADUK1424A2T-RI	DRAWER UNIT,14X18,A,3,C,R	2
7	ADUK1418A2T-RI	DRAWER UNIT,14X18,A,3,C,R	1
8	ADKFP14A	DOUBLE SHELVE 14" FILLER PANEL,DOOR KIT	1
9	WRH5	WIRE REEL HOLDER	1
10	UH50	HOOK 5"	4
11	BIN614	BIN, 6W X 14D	11
12	ADK1066A	DOOR KIT,10X66,A	1
13	UHB3	UTILITY HOOK BAR, 3	1

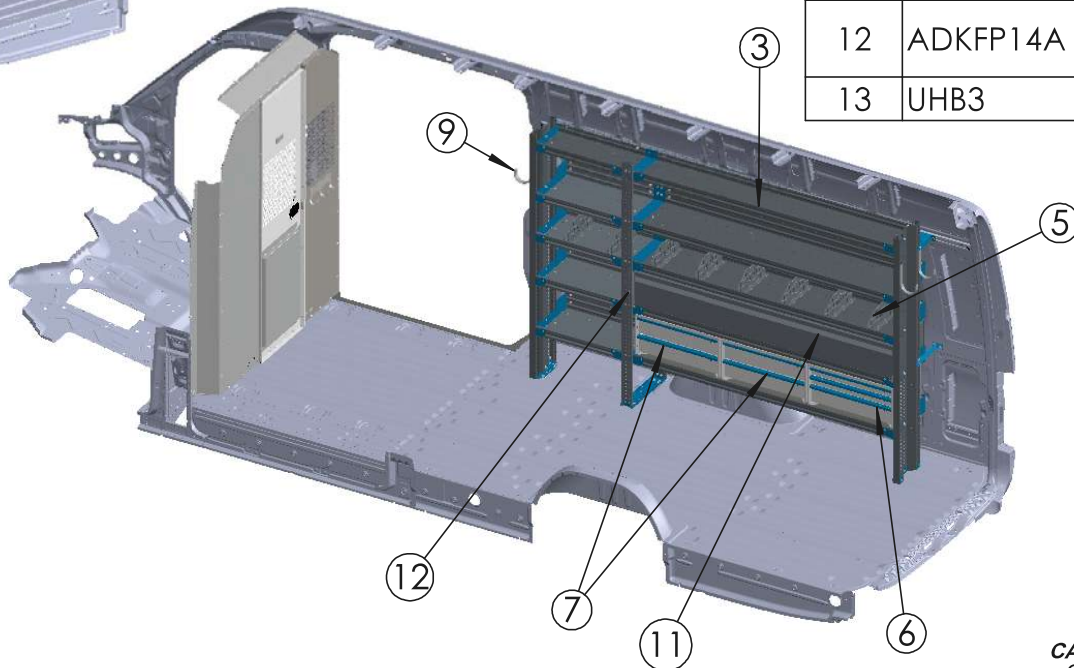
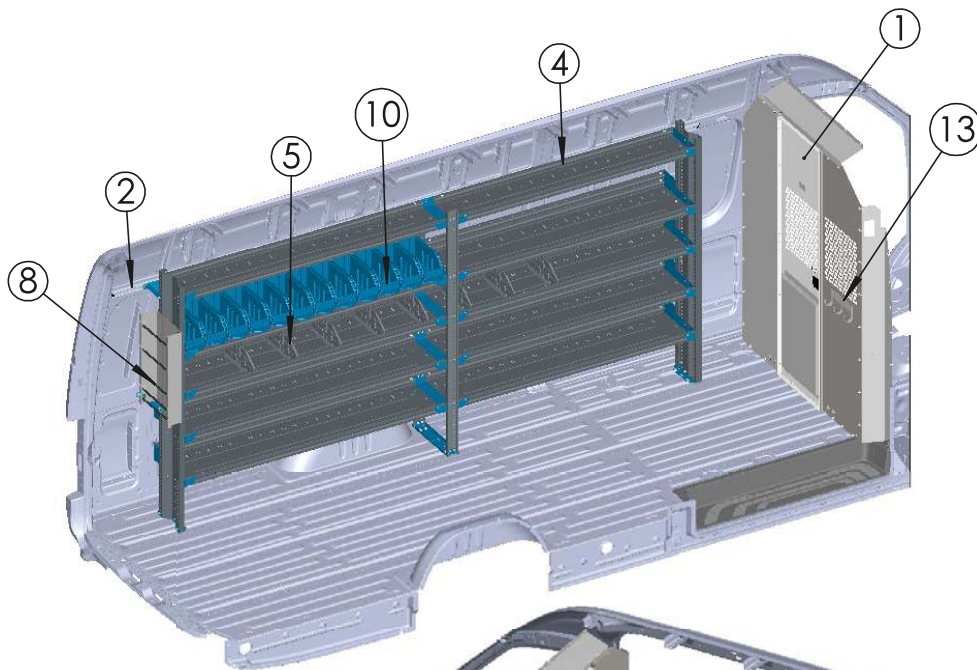
CAUTION: DRILL THRU FLOOR WITH CARE! WATCH FOR GAS TANK, CONTROL LINES, & ELECTRICAL WIRING.



ADRIAN STEEL
 906 James Street
 Adrian, Michigan 49221
 517.265.6194
 WWW.ADRIANSTEEL.COM

ALL DESIGNS AND DESIGN CONCEPTS ARE THE INTELLECTUAL PROPERTY OF ADRIAN STEEL COMPANY AND ARE NOT TO BE COPIED, DISTRIBUTED OR COMMUNICATED TO OUTSIDE PARTIES WITHOUT THE WRITTEN PERMISSION OF ADRIAN STEEL COMPANY.
 THE MATERIAL/CONCEPTS/DESIGNS CONTAINED WITHIN THIS DOCUMENT ARE FOR THE PURPOSE OF SUPPLYING PRODUCT TO POTENTIAL ADRIAN STEEL COMPANY CUSTOMERS.

Drawn By:	GDR	Customer:	ELECTRICAL STARTER PACKAGE		
Date:	2-14-26	Vehicle:	SPRINTER 170HR		
ECN No:	29175	Package Weight:	741.54	Sheet:	1 of 1
PDS No:	ELE-SPHR170B	Rev.:	C		



ITEM NO.	PART NUMBER	DESCRIPTION	QTY.
1	S1M2C2SPH2	HIGH SPR, M-C PERF, ND	1
2	ARKSPH170X	RAIL KIT, SP HR 170X	1
3	AS-2T1496SPHA	SF UNIT,2T,14X96,SPH,A,5	1
4	AS-2T14138SPHA	SF UNIT,2T,14X138,SPH,A,5	1
5	DIVK148	SHELF DIVIDER KIT,14D,8	2
6	ADUK1424A3C-RI	DRAWER UNIT,14X18,A,3,C,R	1
7	ADUK1424A2T-RI	DRAWER UNIT,14X18,A,3,C,R	2
8	WRH5	WIRE REEL HOLDER	1
9	UH50	HOOK 5"	4
10	BIN614	BIN, 6W X 14D	12
11	ADK1072A	DOOR KIT,10X72,A	1
12	ADKFP14A	DOUBLE SHELVE 14" FILLER PANEL,DOOR KIT	1
13	UHB3	UTILITY HOOK BAR, 3	1

CAUTION: DRILL THRU FLOOR WITH CARE! WATCH FOR GAS TANK, CONTROL LINES, & ELECTRICAL WIRING.



906 James Street
Adrian, Michigan 49221
517.265.6194
WWW.ADRIANSTEEL.COM

ALL DESIGNS AND DESIGN CONCEPTS ARE THE INTELLECTUAL PROPERTY OF ADRIAN STEEL COMPANY AND ARE NOT TO BE COPIED, DISTRIBUTED OR COMMUNICATED TO OUTSIDE PARTIES WITHOUT THE WRITTEN PERMISSION OF ADRIAN STEEL COMPANY. THE MATERIAL/CONCEPTS/DESIGNS CONTAINED WITHIN THIS DOCUMENT ARE FOR THE PURPOSE OF SUPPLYING PRODUCT TO POTENTIAL ADRIAN STEEL COMPANY CUSTOMERS.

Drawn By: **GDR**

Date: **2-14-26**

ECN No: **29175**

PDS No: **ELE-SPHR170XB**

Customer:

ELECTRICAL STARTER PACKAGE

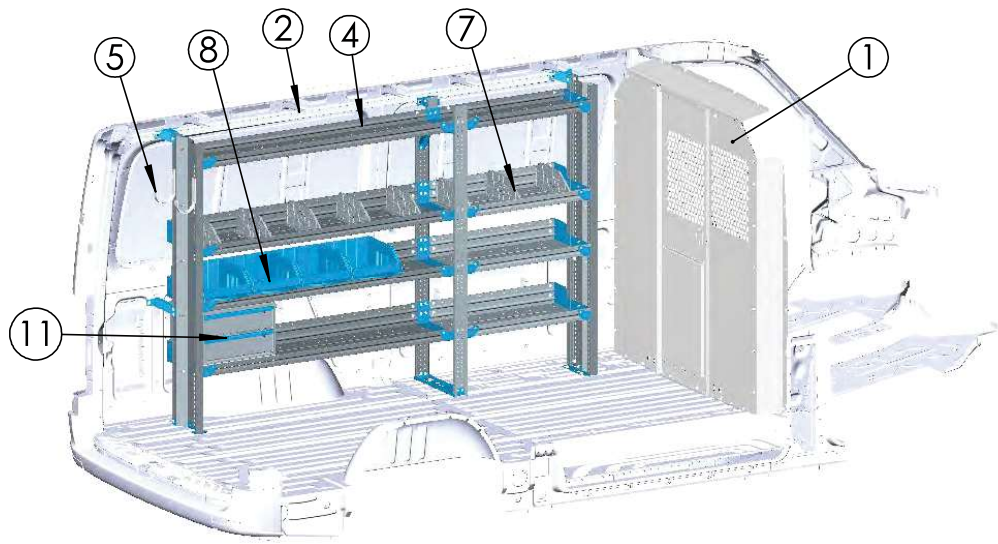
Vehicle

SPRINTER 170XHR

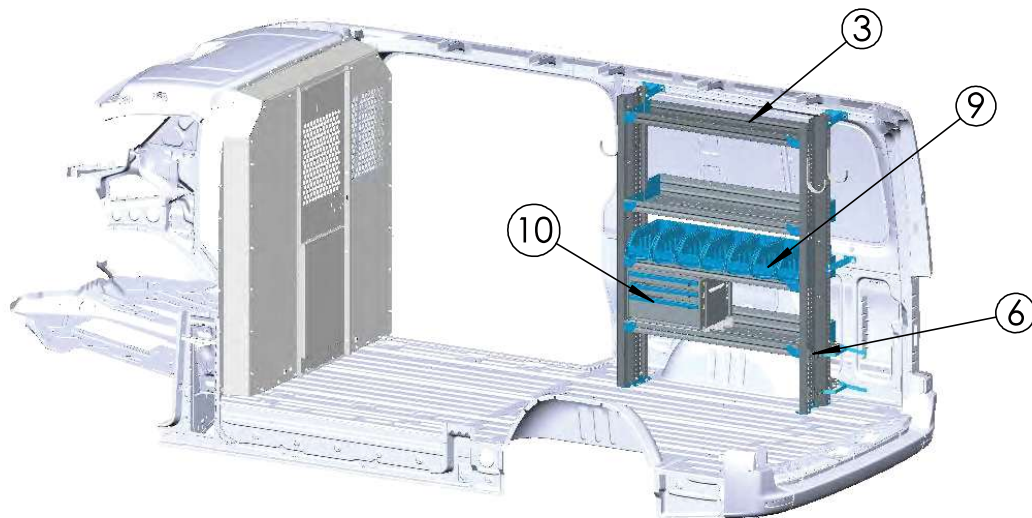
Package Weight: **741.54**

Sheet: **1 of 1**

Rev.: **C**



ITEM NO.	PART NUMBER	DESCRIPTION	QTY.
1	S1M2C2SPS2	STD SPR, M-C PERF, ND	1
2	ARKSP144	RAIL KIT,SP 144	1
3	AS-2T1442SPSA	SF UNIT,2T,14X42,SPS,A,4	1
4	AS-2T1490SPSA	SF UNIT,14X90,SPS,A,4	1
5	UH50	HOOK 5"	6
6	1NTR	TANK HOLDER, NITROGEN	1
7	DIVK148	SHELF DIVIDER KIT,14D,8	1
8	BIN1214	BIN, 12W X 14D	4
9	BIN614	BIN, 6W X 14D	7
10	ADUK1418A3C-RI	DRAWER UNIT,14X18,A,3,C,R	1
11	ADUK1418A2T-RI	DRAWER UNIT,14X18,A,2,T,R	1



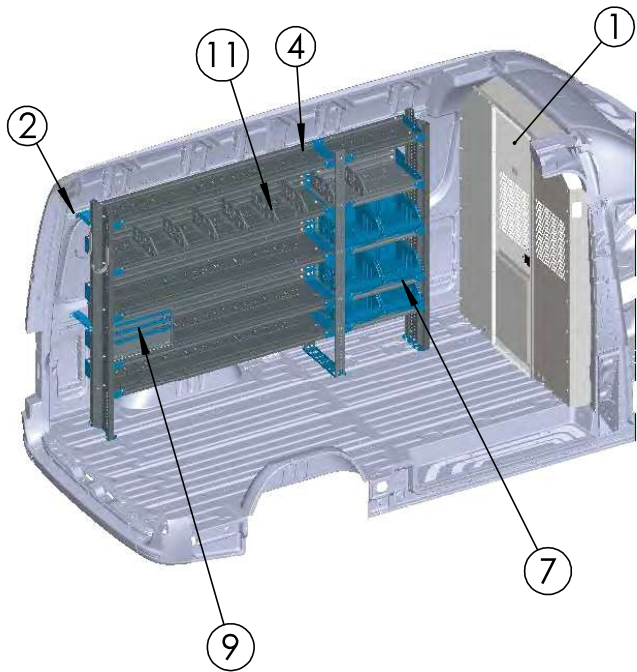
CAUTION: DRILL THRU FLOOR WITH CARE! WATCH FOR GAS TANK, CONTROL LINES, & ELECTRICAL WIRING.



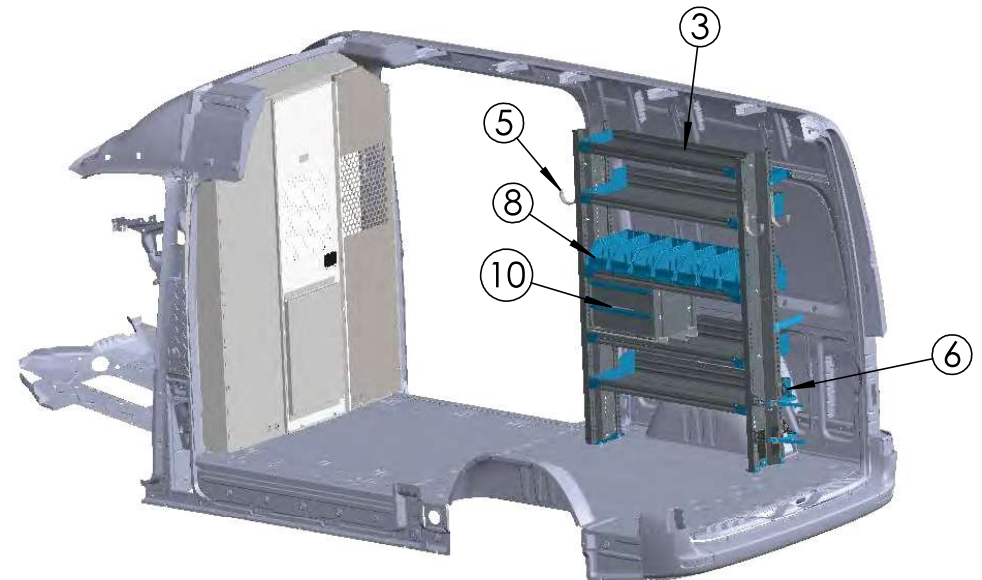
906 James Street
Adrian, Michigan 49221
517.265.6194
WWW.ADRIANSTEEL.COM

ALL DESIGNS AND DESIGN CONCEPTS ARE THE INTELLECTUAL PROPERTY OF ADRIAN STEEL COMPANY AND ARE NOT TO BE COPIED, DISTRIBUTED OR COMMUNICATED TO OUTSIDE PARTIES WITHOUT THE WRITTEN PERMISSION OF ADRIAN STEEL COMPANY. THE MATERIAL/CONCEPTS/DESIGNS CONTAINED WITHIN THIS DOCUMENT ARE FOR THE PURPOSE OF SUPPLYING PRODUCT TO POTENTIAL ADRIAN STEEL COMPANY CUSTOMERS.

Drawn By:	GDR	Customer:	PLUMBING STARTER PACKAGE	
Date:	08/07/2025	Vehicle:	SPRINTER 144SR	
ECN No:	28499	Package Weight:	434.75	Sheet: 1 of 1
PDS No:	PLUM-SPSR144B	Rev.:	A	



ITEM NO.	PART NUMBER	DESCRIPTION	QTY.
1	S1M2C2SPH2	HIGH SPR, M-C PERF, ND	1
2	ARKSP144	RAIL KIT,SP 144	1
3	AS-2T1442SPHA	SF UNIT,2T,14X42,A,5	1
4	AS-2T1490SPHA	SF UNIT,2T,14X90,A,5	1
5	UH50	HOOK 5"	6
6	1NTR	TANK HOLDER, NITROGEN	1
7	BIN1214	BIN, 12W X 14D	6
8	BIN614	BIN, 6W X 14D	7
9	ADUK1418A3C-RI	DRAWER UNIT,14X18,A,3,C,R	1
10	ADUK1418A2T-RI	DRAWER UNIT,14X18,A,2,T,R	1
11	DIVK148	SHELF DIVIDER KIT,14D,8	1



CAUTION: DRILL THRU FLOOR WITH CARE! WATCH FOR GAS TANK, CONTROL LINES, & ELECTRICAL WIRING.



906 James Street
Adrian, Michigan 49221
517.265.6194
WWW.ADRIANSTEEL.COM

ALL DESIGNS AND DESIGN CONCEPTS ARE THE INTELLECTUAL PROPERTY OF ADRIAN STEEL COMPANY AND ARE NOT TO BE COPIED, DISTRIBUTED OR COMMUNICATED TO OUTSIDE PARTIES WITHOUT THE WRITTEN PERMISSION OF ADRIAN STEEL COMPANY.
THE MATERIAL/CONCEPTS/DESIGNS CONTAINED WITHIN THIS DOCUMENT ARE FOR THE PURPOSE OF SUPPLYING PRODUCT TO POTENTIAL ADRIAN STEEL COMPANY CUSTOMERS.

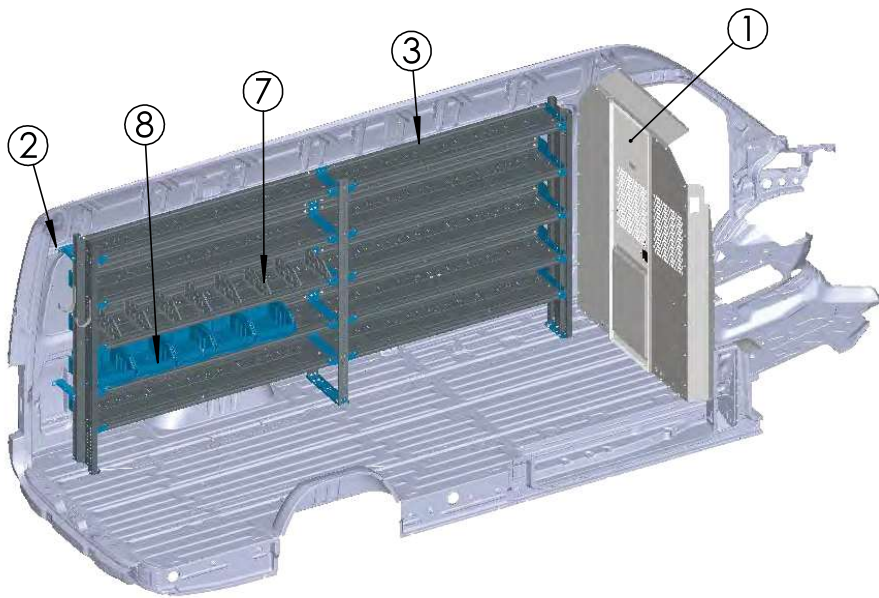
Drawn By: **GDR**
Date: **08/11/2025**
ECN No: **28499**
PDS No: **PLUM-SPHR144B**

Customer: **PLUMBING STARTER PACKAGE**
Vehicle: **SPRINTER 144HR**

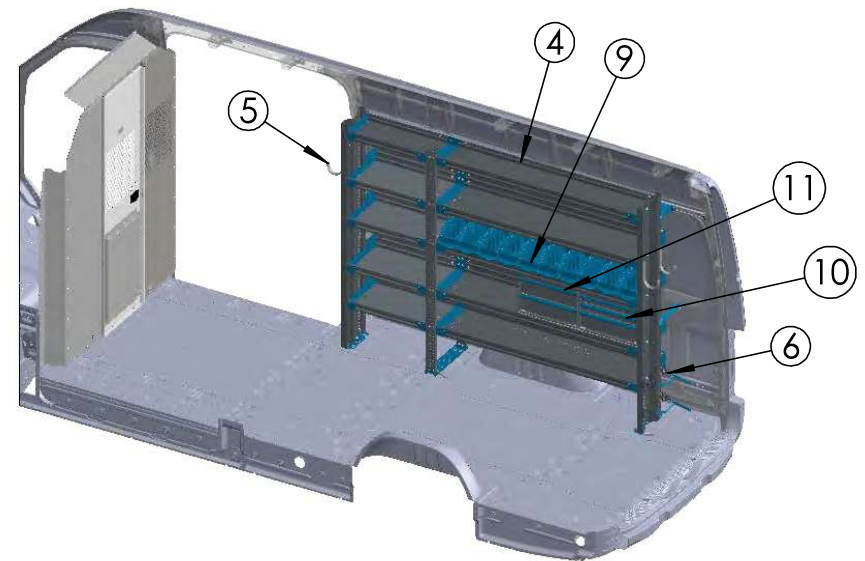
Package Weight: **496.03**

Sheet: **1 of 1**

Rev.: **A**



ITEM NO.	PART NUMBER	DESCRIPTION	QTY.
1	S1M2C2SPH2	HIGH SPR, M-C PERF, ND	1
2	ARKSPH170	RAIL KIT, SP HR 170	1
3	AS-2T14138SPHA	SF UNIT,2T,14X138,SPH,A,5	1
4	AS-2T1484SPHA	SF UNIT,2T,14X84,SPH,A,5	1
5	UH50	HOOK 5"	6
6	1NTR	TANK HOLDER, NITROGEN	1
7	DIVK148	SHELF DIVIDER KIT,14D,8	1
8	BIN1214	BIN, 12W X 14D	5
9	BIN614	BIN, 6W X 14D	10
10	ADUK1418A3C-RI	DRAWER UNIT,14X18,A,3,C,R	1
11	ADUK1418A2T-RI	DRAWER UNIT,14X18,A,2,T,R	1



CAUTION: DRILL THRU FLOOR WITH CARE! WATCH FOR GAS TANK, CONTROL LINES, & ELECTRICAL WIRING.



906 James Street
Adrian, Michigan 49221
517.265.6194
WWW.ADRIANSTEEL.COM

ALL DESIGNS AND DESIGN CONCEPTS ARE THE INTELLECTUAL PROPERTY OF ADRIAN STEEL COMPANY AND ARE NOT TO BE COPIED, DISTRIBUTED OR COMMUNICATED TO OUTSIDE PARTIES WITHOUT THE WRITTEN PERMISSION OF ADRIAN STEEL COMPANY. THE MATERIAL/CONCEPTS/DESIGNS CONTAINED WITHIN THIS DOCUMENT ARE FOR THE PURPOSE OF SUPPLYING PRODUCT TO POTENTIAL ADRIAN STEEL COMPANY CUSTOMERS.

Drawn By: **GDR**

Date: **08/13/25**

ECN No: **28499**

PDS No: **PLUM-SPHR170B**

Customer:

PLUMBING STARTER PACKAGE

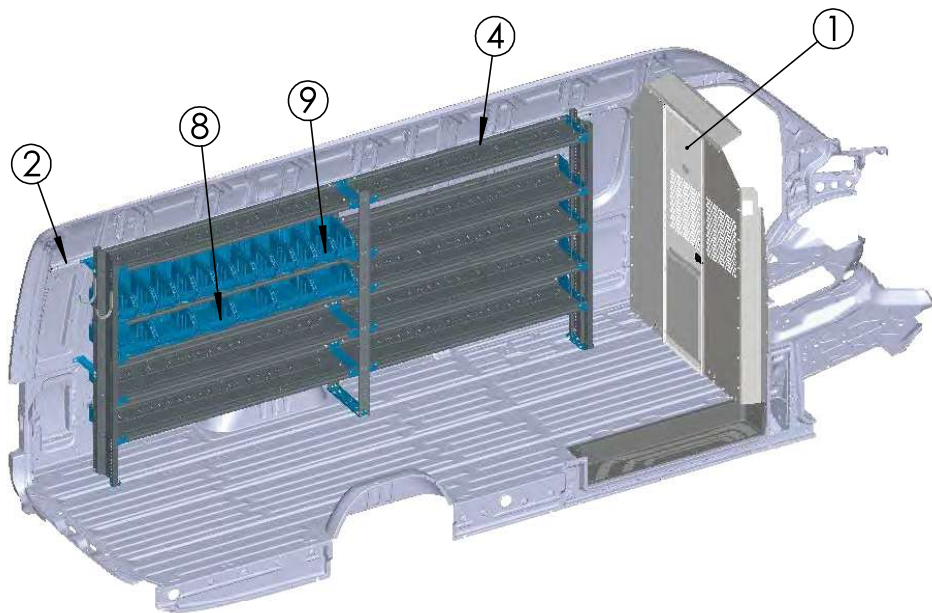
Vehicle

SPRINTER 170HR

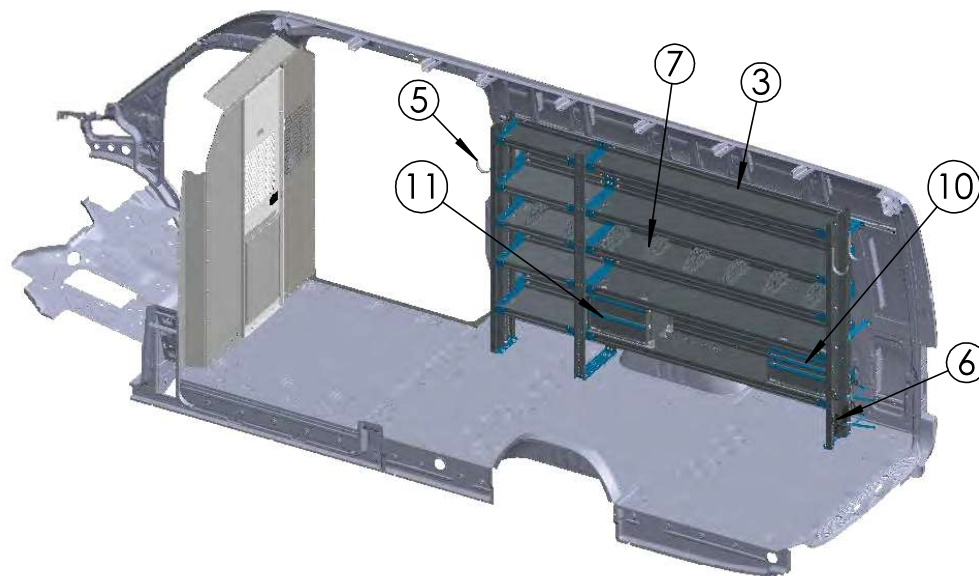
Package Weight: **645.35**

Sheet: **1 of 1**

Rev.: **A**



ITEM NO.	PART NUMBER	DESCRIPTION	QTY.
1	S1M2C2SPH2	HIGH SPR, M-C PERF, ND	1
2	ARKSPH170X	RAIL KIT, SP HR 170X	1
3	AS-2T1496SPHA	SF UNIT,2T,14X96,SPH,A,5	1
4	AS-2T14138SPHA	SF UNIT,2T,14X138,SPH,A,5	1
5	UH50	HOOK 5"	6
6	1NTR	TANK HOLDER, NITROGEN	1
7	DIVK148	SHELF DIVIDER KIT,14D,8	1
8	BIN1214	BIN, 12W X 14D	6
9	BIN614	BIN, 6W X 14D	12
10	ADUK1418A3C-RI	DRAWER UNIT,14X18,A,3,C,R	1
11	ADUK1418A2T-RI	DRAWER UNIT,14X18,A,2,T,R	1



CAUTION: DRILL THRU FLOOR WITH CARE! WATCH FOR GAS TANK, CONTROL LINES, & ELECTRICAL WIRING.

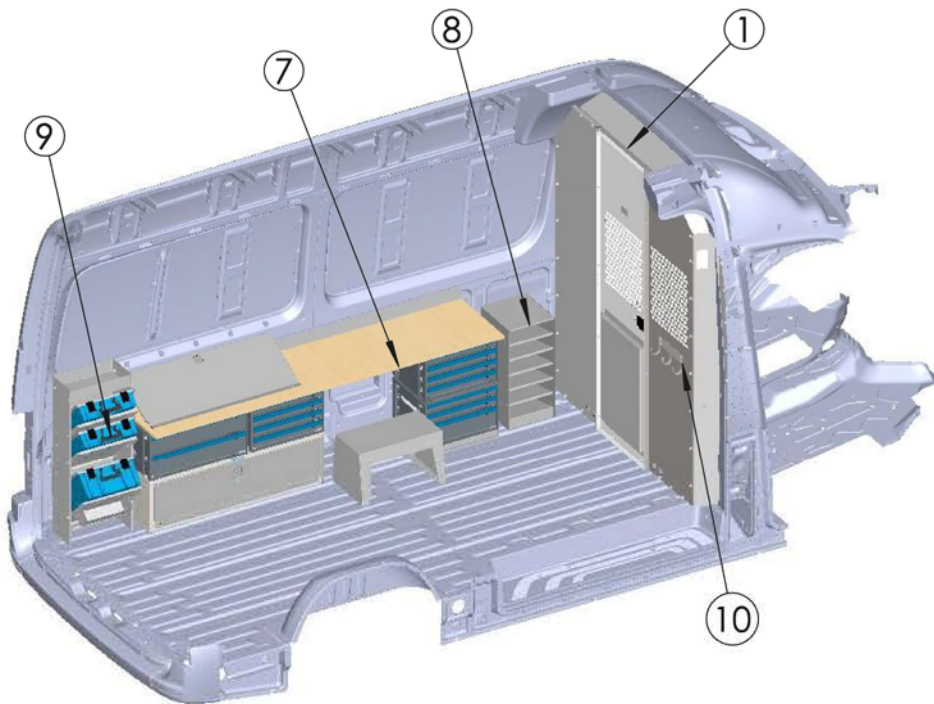


906 James Street
Adrian, Michigan 49221
517.265.6194
WWW.ADRIANSTEEL.COM

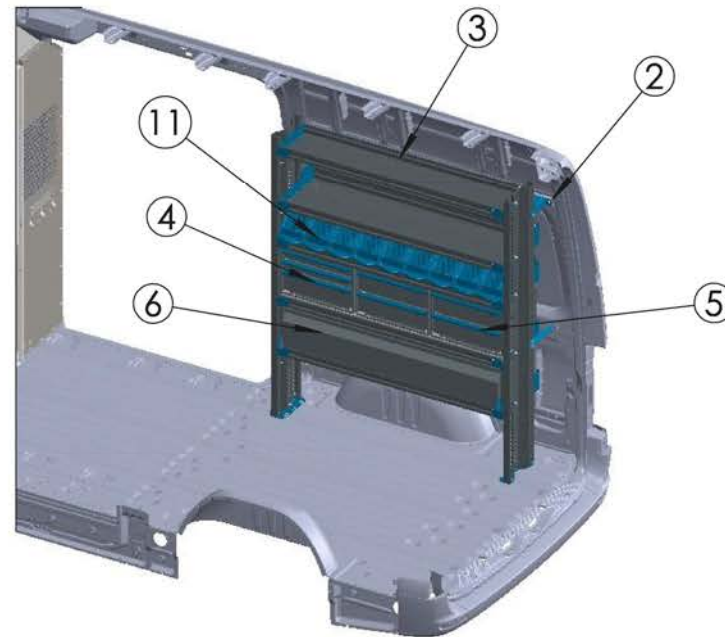
ALL DESIGNS AND DESIGN CONCEPTS ARE THE INTELLECTUAL PROPERTY OF ADRIAN STEEL COMPANY AND ARE NOT TO BE COPIED, DISTRIBUTED OR COMMUNICATED TO OUTSIDE PARTIES WITHOUT THE WRITTEN PERMISSION OF ADRIAN STEEL COMPANY. THE MATERIAL/CONCEPTS/DESIGNS CONTAINED WITHIN THIS DOCUMENT ARE FOR THE PURPOSE OF SUPPLYING PRODUCT TO POTENTIAL ADRIAN STEEL COMPANY CUSTOMERS.

Drawn By: **GDR**
Date: **08/18/2025**
ECN No: **28499**
PDS No: **PLUM-SPHR170XE**

Customer: **PLUMBING STARTER PACKAGE**
Vehicle: **SPRINTER 170XHR**
Package Weight: **678.25**
Sheet: **1 of 1**
Rev.: **A**



ITEM NO.	PART NUMBER	DESCRIPTION	QTY.
1	S1M2C2SPH2	HIGH SPR, M-C PERF, ND	1
2	ARKSP144PS	RAIL KIT,SP 144,PS	1
3	AS-2T1454SPHA	SF UNIT,2T,14X54,SPH,A,5	1
4	ADUK1418A3C-RI	DRAWER UNIT,14X18,A,3,C,R	1
5	ADUK1418A2T-RI	DRAWER UNIT,14X18,A,2,T,R	2
6	ADK1054	DOOR KIT,10X54,A	1
7	AWB1-18X84	WORKBENCH MODULE 18X25X84	1
8	17A	CATALOG FILE 6 SHELF	1
9	CH-EP	CASE HOLDER, T-SATCHELS	1
10	UHB3	UTILITY HOOK BAR, 3	1
11	BIN614	BIN, 6W X 14D	9



CAUTION: DRILL THRU FLOOR WITH CARE! WATCH FOR GAS TANK, CONTROL LINES, & ELECTRICAL WIRING.



906 James Street
Adrian, Michigan 49221
517.265.6194
WWW.ADRIANSTEEL.COM

ALL DESIGNS AND DESIGN CONCEPTS ARE THE INTELLECTUAL PROPERTY OF ADRIAN STEEL COMPANY AND ARE NOT TO BE COPIED, DISTRIBUTED OR COMMUNICATED TO OUTSIDE PARTIES WITHOUT THE WRITTEN PERMISSION OF ADRIAN STEEL COMPANY.
THE MATERIAL/CONCEPTS/DESIGNS CONTAINED WITHIN THIS DOCUMENT ARE FOR THE PURPOSE OF SUPPLYING PRODUCT TO POTENTIAL ADRIAN STEEL COMPANY CUSTOMERS.

Drawn By: **W. COLLINS**

Date: **10/29/2025**

ECN No: **28721**

PDS No: **LOCK-SPHR144**

Customer:

**LOCKSMITH
PACKAGE**

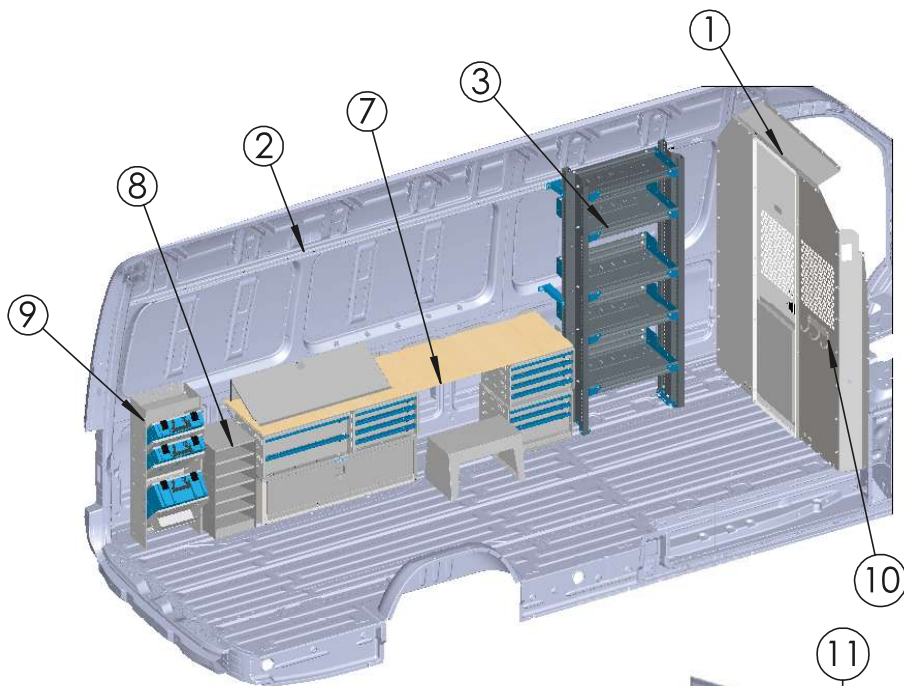
Vehicle

SPRINTER 144"WB HR

Package Weight:
626.53

Sheet:
1 of 1

Rev.: **A**



ITEM NO.	PART NUMBER	DESCRIPTION	QTY.
1	S1M2C2SPH2	HIGH SPR, M-C PERF, ND	1
2	ARKSPH170	RAIL KIT, SP HR 170	1
3	AS-2T1424SPHA	SF UNIT,2T,14X24,A,5	1
4	AS-2T1490SPHA	SF UNIT,2T,14X90,A,5	1
5	ADUK1424A3C-RI	DRAWER UNIT,14X18,A,3,C,R	2
6	ADUK1418A2T-RI	DRAWER UNIT,14X18,A,3,C,R	1
7	AWB1-18X84	WORKBENCH MODULE 18X25X84	1
8	17A	CATALOG FILE 6 SHELF	1
9	CH-EP	CASE HOLDER, T-SATCHELS	1
10	UHB3	UTILITY HOOK BAR, 3	1
11	BIN614	BIN, 6W X 14D	11
12	ADK1066A	DOOR KIT,10X66,A	1
13	ADKFP14A	DOUBLE SHELVE 14" FILLER PANEL,DOOR KIT	1
14	DIVK148	SHELF DIVIDER KIT,14D,8	1

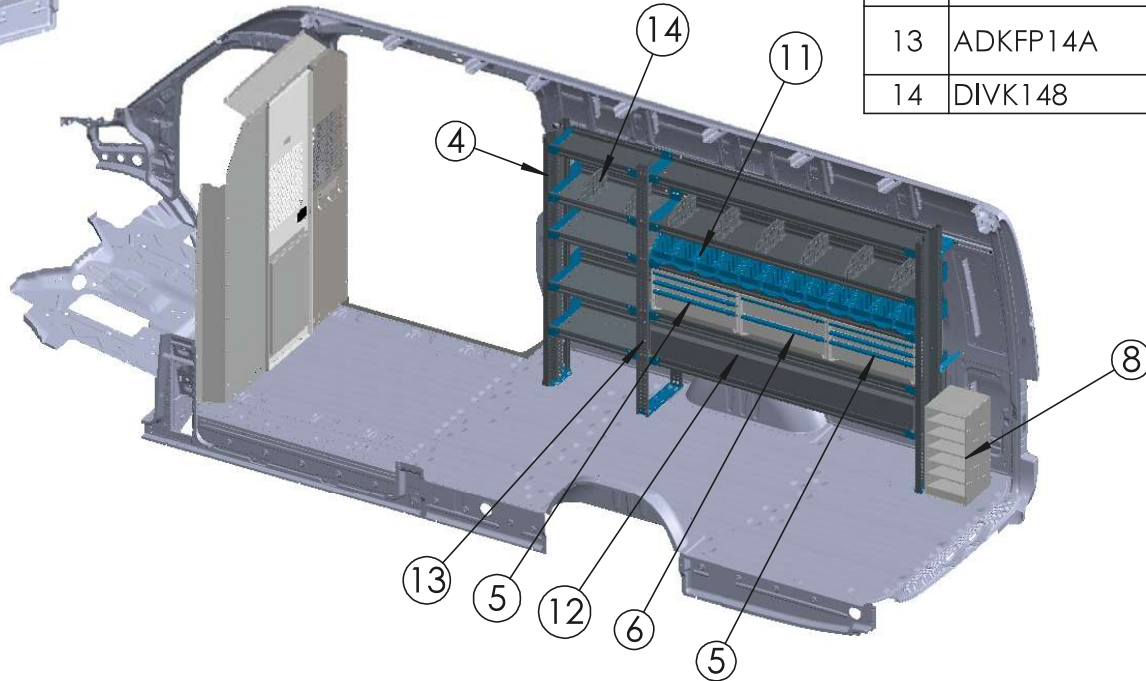
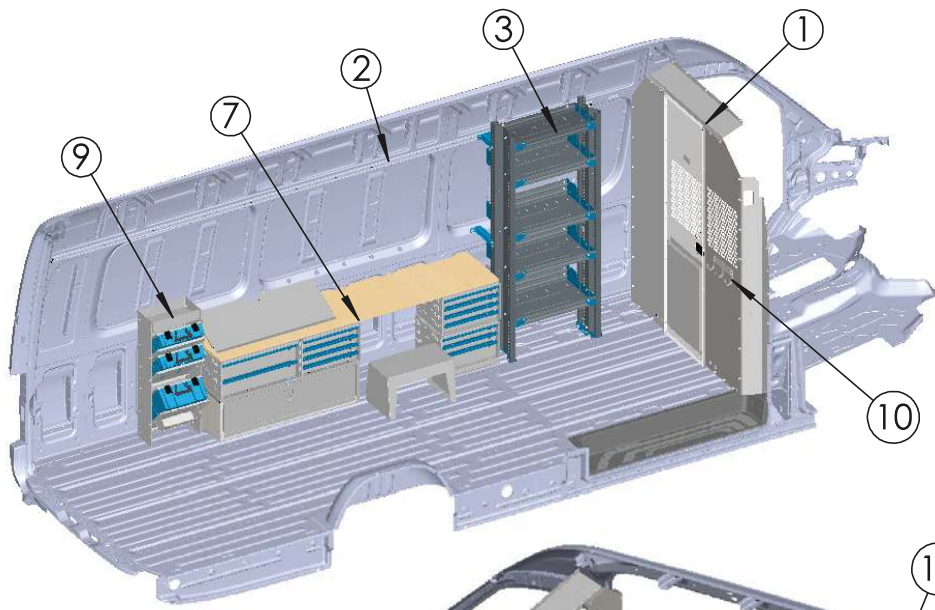
CAUTION: DRILL THRU FLOOR WITH CARE! WATCH FOR GAS TANK, CONTROL LINES, & ELECTRICAL WIRING.



906 James Street
Adrian, Michigan 49221
517.265.6194
WWW.ADRIANSTEEL.COM

ALL DESIGNS AND DESIGN CONCEPTS ARE THE INTELLECTUAL PROPERTY OF ADRIAN STEEL COMPANY AND ARE NOT TO BE COPIED, DISTRIBUTED OR COMMUNICATED TO OUTSIDE PARTIES WITHOUT THE WRITTEN PERMISSION OF ADRIAN STEEL COMPANY.
THE MATERIAL/CONCEPTS/DESIGNS CONTAINED WITHIN THIS DOCUMENT ARE FOR THE PURPOSE OF SUPPLYING PRODUCT TO POTENTIAL ADRIAN STEEL COMPANY CUSTOMERS.

Drawn By: W. COLLINS	Customer: LOCKSMITH PACKAGE
Date: 2-15-26	
ECN No.: 29175	Vehicle: SPRINTER 170HR
PDS No.: LOCK-SPHR170	Package Weight: 812.49
	Sheet: 1 of 1
	Rev.: B



ITEM NO.	PART NUMBER	DESCRIPTION	QTY.
1	S1M2C2SPH2	HIGH SPR, M-C PERF, ND	1
2	ARKSPH170X	RAIL KIT, SP HR 170X	1
3	AS-2T1424SPHA	AS-2T1424SPHA	1
4	AS-2T1496SPHA	SF UNIT,2T,14X96,SPH,A,5	1
5	ADUK1424A3C-RI	DRAWER UNIT,14X18,A,3,C,R	2
6	ADUK1424A2T-RI	DRAWER UNIT,14X18,A,3,C,R	1
7	AWB1-18X84	WORKBENCH MODULE 18X25X84	1
8	17A	CATALOG FILE 6 SHELF	1
9	CH-EP	CASE HOLDER, T-SATCHELS	1
10	UHB3	UTILITY HOOK BAR, 3	1
11	BIN614	BIN, 6W X 14D	12
12	ADK1072A	DOOR KIT,10X72,A	1
13	ADKFP14A	DOUBLE SHELVE 14" FILLER PANEL,DOOR KIT	1
14	DIVK148	SHELF DIVIDER KIT,14D,8	1

CAUTION: DRILL THRU FLOOR WITH CARE! WATCH FOR GAS TANK, CONTROL LINES, & ELECTRICAL WIRING.



906 James Street
Adrian, Michigan 49221
517.265.6194
WWW.ADRIANSTEEL.COM

ALL DESIGNS AND DESIGN CONCEPTS ARE THE INTELLECTUAL PROPERTY OF ADRIAN STEEL COMPANY AND ARE NOT TO BE COPIED, DISTRIBUTED OR COMMUNICATED TO OUTSIDE PARTIES WITHOUT THE WRITTEN PERMISSION OF ADRIAN STEEL COMPANY.
THE MATERIAL/CONCEPTS/DESIGNS CONTAINED WITHIN THIS DOCUMENT ARE FOR THE PURPOSE OF SUPPLYING PRODUCT TO POTENTIAL ADRIAN STEEL COMPANY CUSTOMERS.

Drawn By: **W. COLLINS**

Date: **2-15-26**

ECN No: **29175**

PDS No: **LOCK-SPHR170X**

Customer:

**LOCKSMITH
PACKAGE**

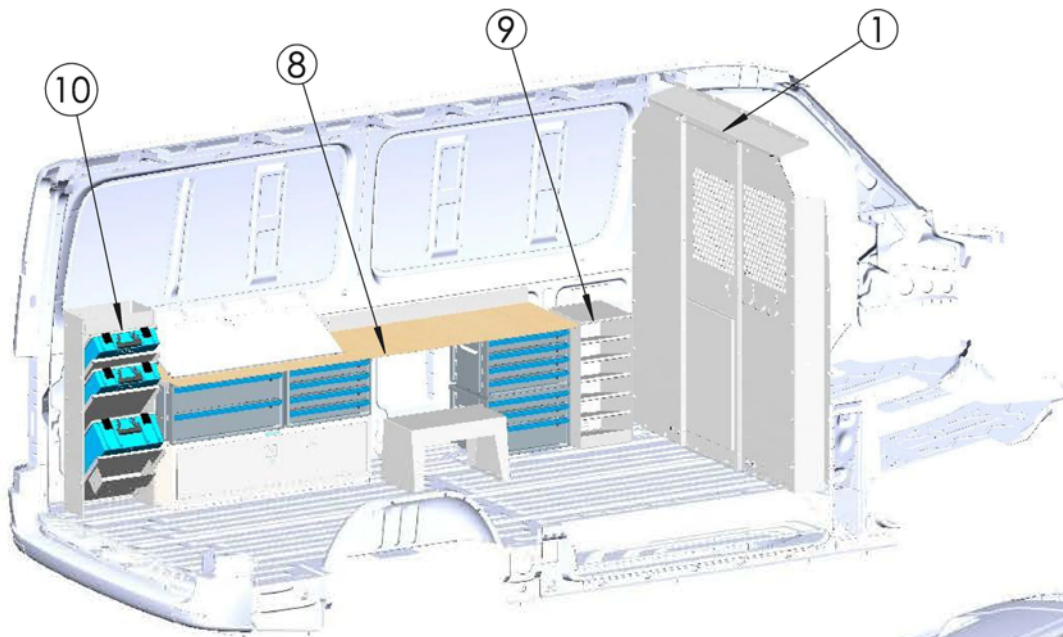
Vehicle

SPRINTER 170XHR

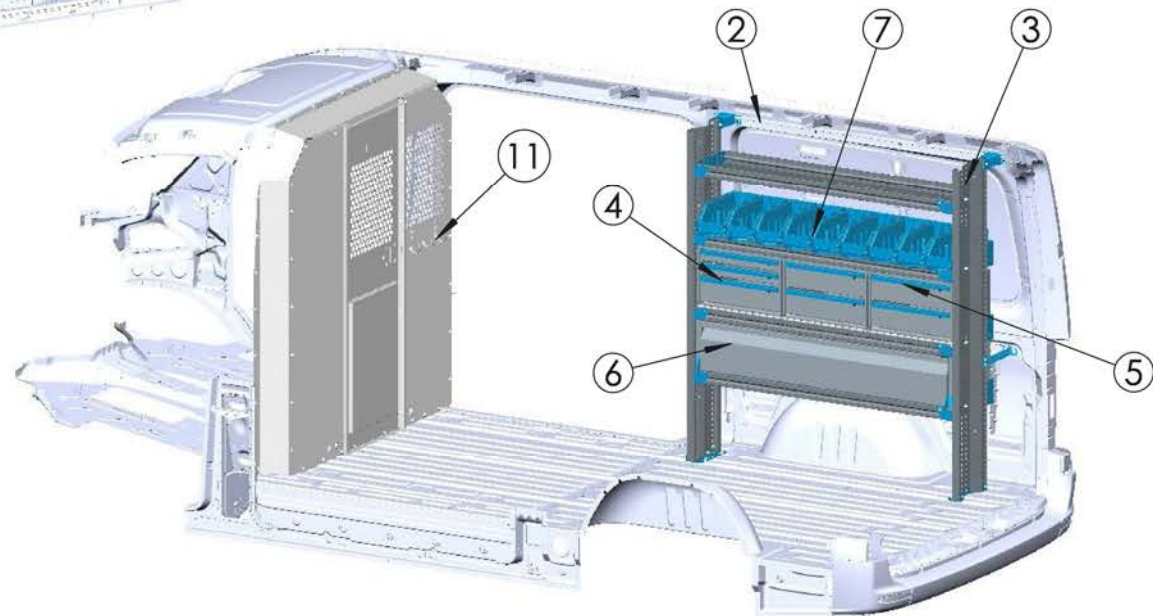
Package Weight: **831.19**

Sheet: **1 of 1**

Rev.: **B**



ITEM NO.	PART NUMBER	DESCRIPTION	QTY.
1	S1M2C2SPS2	STD SPR, M-C PERF, ND	1
2	ARKSP144PS	RAIL KIT,SP 144,PS	1
3	AS-2T1454SPSA	SF UNIT,2T,14X54,SPS,A,4	1
4	ADUK1418A3C-RI	DRAWER UNIT,14X18,A,3,C,R	1
5	ADUK1418A2T-RI	DRAWER UNIT,14X18,A,2,T,R	2
6	ADK1054A	DOOR KIT,10X54,A	1
7	BIN614	BIN, 6W X 14D	9
8	AWB1-18X84	WORKBENCH MODULE 18X25X84	1
9	17A	CATALOG FILE 6 SHELF	1
10	CH-EP	CASE HOLDER, T-SATCHELS	1
11	UHB3	UTILITY HOOK BAR, 3	1



CAUTION: DRILL THRU FLOOR WITH CARE! WATCH FOR GAS TANK, CONTROL LINES, & ELECTRICAL WIRING.



906 James Street
Adrian, Michigan 49221
517.265.6194
WWW.ADRIANSTEEL.COM

ALL DESIGNS AND DESIGN CONCEPTS ARE THE INTELLECTUAL PROPERTY OF ADRIAN STEEL COMPANY AND ARE NOT TO BE COPIED, DISTRIBUTED OR COMMUNICATED TO OUTSIDE PARTIES WITHOUT THE WRITTEN PERMISSION OF ADRIAN STEEL COMPANY.
THE MATERIAL/CONCEPTS/DESIGNS CONTAINED WITHIN THIS DOCUMENT ARE FOR THE PURPOSE OF SUPPLYING PRODUCT TO POTENTIAL ADRIAN STEEL COMPANY CUSTOMERS.

Drawn By:
W. COLLINS

Date:
10/29/2025

ECN No:
28721

PDS No:
LOCK-SPSR144

Customer:

**LOCKSMITH
PACKAGE**

Vehicle

SPRINTER 144"WB SR

Package Weight:
600.16

Sheet:
1 of 1

Rev.: **A**



ADRIAN

VANPRODUCT'S
COMMERCIAL UP-FIT